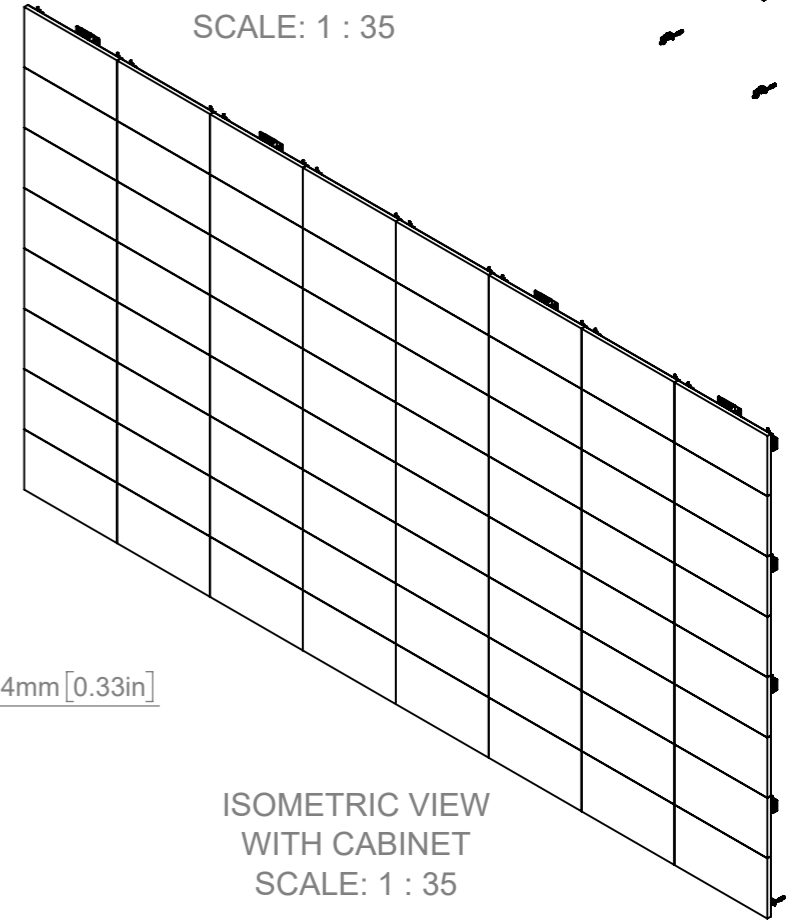


ISOMETRIC VIEW WITHOUT CABINET
SCALE: 1 : 35



ISOMETRIC VIEW WITH CABINET
SCALE: 1 : 35

Drawing is based on 608x342mm cabinet - Bobbin location will vary between different cabinets


We recommend measuring from the top edge, to the top edge when installing the BT8392 horizontal rails.

Total B-TECH Mount Weight (Without the Cabinets) Approx: 58.06kg (128lbs).

Total dvLED Cabinet Weight (Excluding Cables) Approx: N/A (lbs)

Please view DXF file using eDrawings software for precise measurements.

B-Tech AV Mounts Corporation Limited makes no representation or warranties, express or implied, with respect to the reuse of the data provided herewith, regardless of its format or the means of its transmission. B-Tech AV Mounts Corporation Limited makes every effort to provide accurate information, however there is no guarantee or representation to the user as to the accuracy, currency, suitability or reliability of this data. The user assumes all risks associated with its use. B-Tech AV Mounts Corporation Limited assumes no responsibility for actual or consequential damage incurred as a result of any user's reliance on this data.

			B-Tech AV Mounts Corporation Limited		B-Tech No: BTXPS27-W8X8-608
			UNLESS OTHERWISE SPECIFIED DIMENSIONS ARE IN MILLIMETERS	Size: A3 Scale: 1:25 Sheet: 1 of 1	Title: System Xpress: Universal 27" dvLED 8x8 Wall Mount - 608 Revision: R00 Date: 31/01/2025 File Name: BTD-BTXPS27-W8X8-608