

# BTXPS27-M4X4

## UNIVERSAL 27" dvLED MOBILE STAND

Part of B-Tech's System Xpress range, BTXPS27-M4X4 is a 4x4 mobile solution suitable for **any** brand of 27" latching dvLED cabinet. Available off-the-shelf, BTXPS27-M4X4 provides a simple to install dvLED mounting solution that can be quoted and shipped at pace, straight from stock.

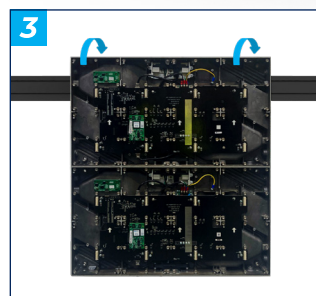
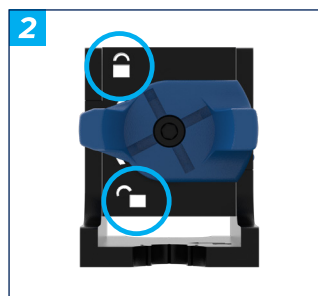
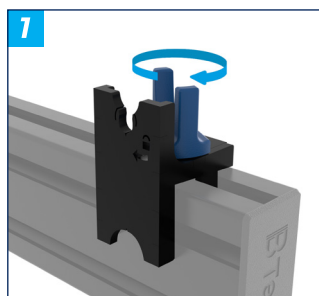
System Xpress revolutionizes dvLED mounting with its innovative, universal design for latching cabinets. Featuring B-Tech's **Patent Pending** universal **XpressConnect** clips instead of cabinet-specific interfaces, this system can be supplied rapidly from stock and quoted like any other stocked solution. The XpressConnect clips effortlessly hook-on and lock into the supplied mounting rails with a quick quarter turn of the twist-lock, enabling fast assembly of wall, floor, or ceiling mounted dvLED installations, making System Xpress the fastest dvLED mounting solution to go from order to install.

### SPECIFICATIONS

Compatible Panels	<b>27" latching cabinets</b> (Min. width 23.62" - Max. 24")
Panel fixing method	<b>Rear mounted using M6, M8 or M10 fixings</b>
Height adjustment	<b>+/-0.2"</b>
Depth adjustment	<b>+/-0.2" on wall plate</b> (Additional +0.4" at cabinet)
Color	<b>Black</b>
For indoor use only	

### FEATURES

- 1 Patent Pending **XpressConnect** technology
- 2 Tool-less twist lock - cabinets 'hook-on' and lock in with a quarter turn
- 3 Hang cabinets in pairs to speed up the install
- 4 Includes non-marking 4" locking/braked casters for manoeuvrability
  - Stockable solution - universally compatible with any latching cabinet
  - Fast order fulfillment - available off-the-shelf for 4x4 27" cabinet installs
  - Fixed pricing - no waiting for a solution to be configured and quoted
  - Row height spacer (available separately) to speed up the install
  - Additional 5x5, 6x6, and 8x8 mounting kits are available off-the-shelf
  - Custom configured kits are also available for other configurations
  - Open frame allows panel access for easy servicing and maintenance
  - All mounting hardware included
  - Installation overview video available at [www.btechavmounts.com/system-xpress-overview](http://www.btechavmounts.com/system-xpress-overview)

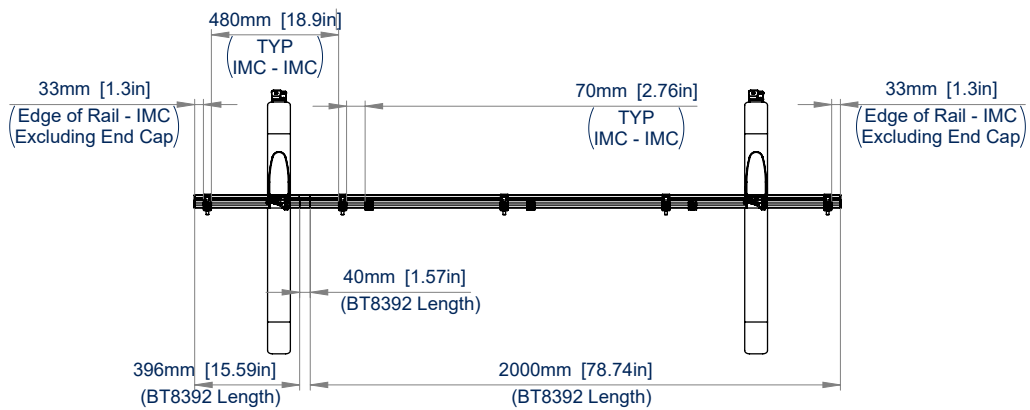
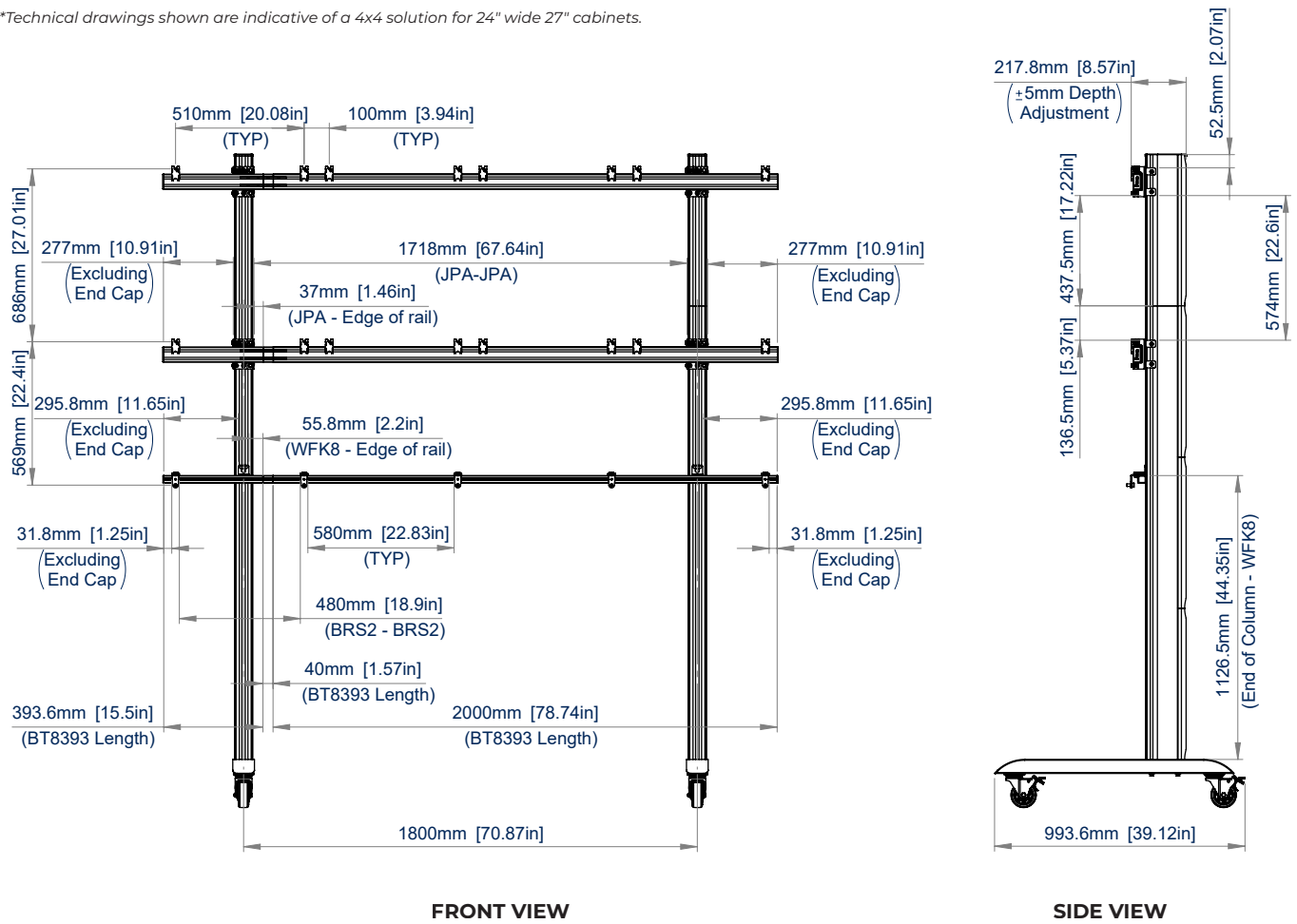


\*Main product image indicative of a 4x4 configuration using 27" cabinets



# BTXPS27-M4X4

\*Technical drawings shown are indicative of a 4x4 solution for 24" wide 27" cabinets.



## ORDERING INFORMATION

COLOR	ORDER REF	BARCODE
Black	BTXPS27-M4X4/B	5019318309564

## RELATED PRODUCTS

PRODUCT CODE	NAME	DESCRIPTION
BT9271	System Xpress Universal dvLED Mobile Stand	Designed to mount LED cabinets in any size and configuration
BTXPS27-M5X5	Universal 27" dvLED Mobile Stand	Designed to mount 27" LED cabinets in a 5x5 configuration
BTXPS27-M6X6	Universal 27" dvLED Mobile Stand	Designed to mount 27" LED cabinets in a 6x6 configuration
BTXPS27-M8X8	Universal 27" dvLED Mobile Stand	Designed to mount 27" LED cabinets in a 8x8 configuration

© 2025 B-Tech AV Mounts. All rights reserved. The information this specification sheet reflects the current technical specifications at the time of printing. We reserve the right to change the technical or physical specifications without prior notice. The B-Tech name and the B-Tech logo are registered trademarks of B-Tech AV Mounts Corporation Ltd. B-Tech is not responsible for any damage caused by improper installation or mounting on unstable structures. Any reproduction or use of information or specification of any part of this specification sheet is strictly prohibited unless prior written permission is granted by B-Tech AV Mounts Corporation Ltd. (B-Tech).