

BTV504

DOUBLE ARM FLAT SCREEN WALL MOUNT WITH TILT & SWIVEL

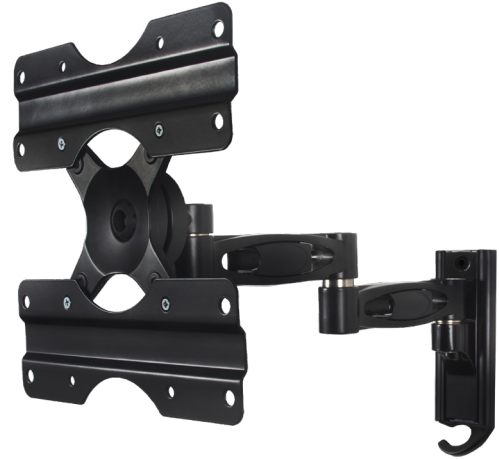
Designed to wall mount small to medium sized screens, this double arm wall mount features a tilting interface and three swivel points, allowing quick and easy repositioning of screens as required - whether folded flat against the wall at a depth of 3.1" or at maximum extension. Cable management is included to help make a neat and tidy mounting solution which is ideal for home installations as well as commercial applications.

SPECIFICATIONS

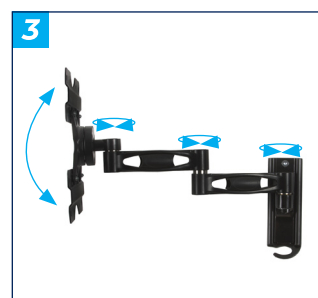
Recommended screen size	up to 47"
Max load	55lbs
VESA® compatibility	up to 200 x 200
Tilt	+/-15°
Swivel	180°
Screen rotation	360°
Distance from wall	min: 3.1" - max: 15.2"

FEATURES

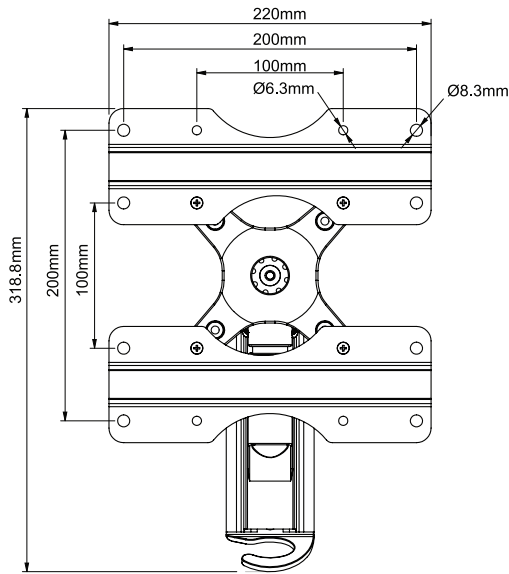
- 1 Folds flat to the wall
- 2 Integrated spirit level for easy wall plate levelling during installation
- 3 3 swivel points: 180° at wall, 360° at central pivot and 240° at interface
- 4 Screen rotation allows screen to be mounted in landscape or portrait
 - Easy tilt and swivel adjustment
 - Integrated cable management
 - Simple 'hook-on' installation with all mounting hardware included



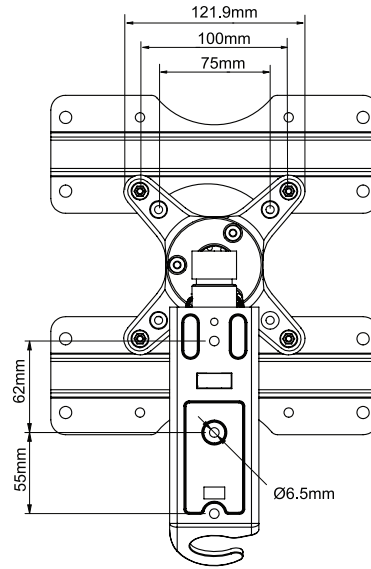
RECOMMENDED MAX SCREEN	MAX LOAD	MAX VESA	TILT	SWIVEL	ROTATION	QR CODE
47" 119cm	55lbs	200	±15°	180°	360°	



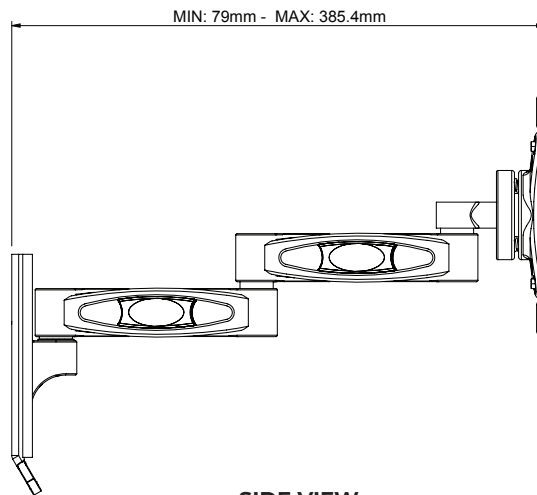
BTV504



FRONT VIEW
FULL EXTENSION



REAR VIEW



SIDE VIEW
ARM EXTENDED

ORDERING INFORMATION

COLOR	ORDER REF	BARCODE
Black	BTV504/B	5019318440625

RELATED PRODUCTS

PRODUCT CODE	NAME	DESCRIPTION
BTV502	Flat Screen Wall Mount	With Tilt & Swivel designed for screens up to 47"
BTV503	Single Arm Flat Screen Wall Mount	Features 3 swivel points & an extended reach of up to 9.5"
BTV920	AV Component Shelf	Designed for holding all common AV equipment
BTV914	Universal Soundbar Mount	Fits directly to BTV503 to mount a Soundbar under your screen

© 2018 B-Tech AV Mounts Co. Ltd. All rights reserved.
The information this specification sheet reflects the current technical specifications at the time of printing.
We reserve the right to change the technical or physical specifications without prior notice. The B-Tech name and the B-Tech logo are registered trademarks of B-Tech AV Mounts Co. Ltd.
B-Tech is not responsible for any damage caused by improper installation or mounting on unsuitable structures. Any reproduction or reuse of this specification sheet is strictly prohibited unless prior written permission is granted by B-Tech AV Mounts Co. Ltd. 120618