

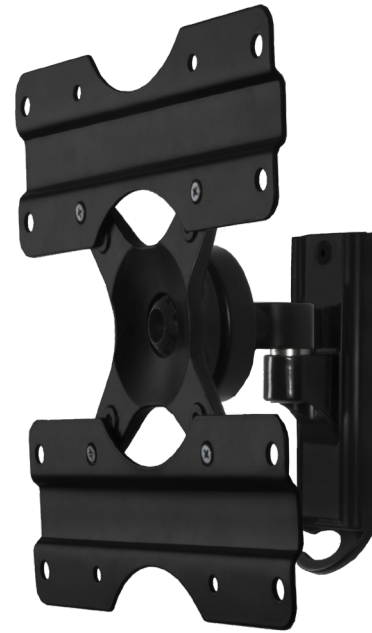
BTV502

FLAT SCREEN WALL MOUNT WITH TILT & SWIVEL FOR SCREENS UP TO 47"

Designed to mount small to medium sized screens, this wall mount features swivel, tilt and full-screen rotation, allowing quick and easy repositioning of the screen as required. Integrated cable management and spirit level help make this a tidy, hassle-free installation, ideal for home installations and commercial applications.

SPECIFICATIONS

Recommended screen size	up to 47"
Max load	55lbs
VESA® compatibility	up to 200 x 200
Tilt	+/-15°
Swivel	180°
Screen rotation	360°
Distance from wall	3.74"



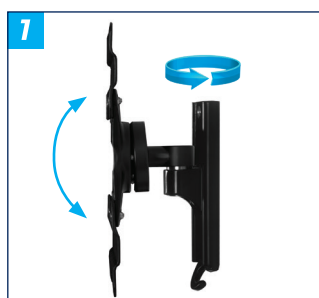
FEATURES

- 1** Easy tilt and swivel adjustment
- 2** Integrated spirit level for easy wall plate leveling during installation
- 3** 360° screen rotation
- 4** All mounting hardware included
- Integrated cable management
- Simple 'hook-on' installation

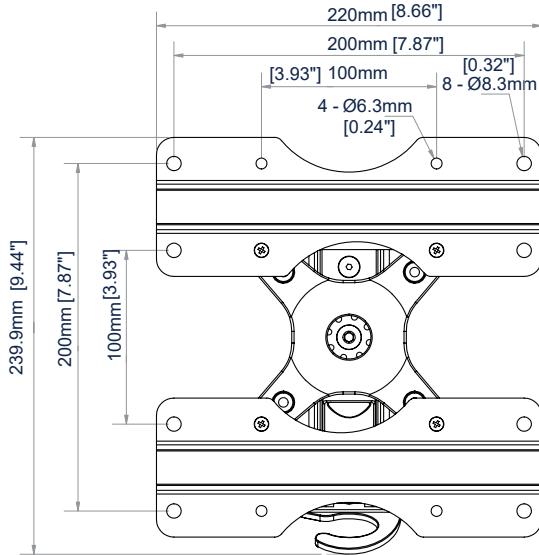


Ventry
range

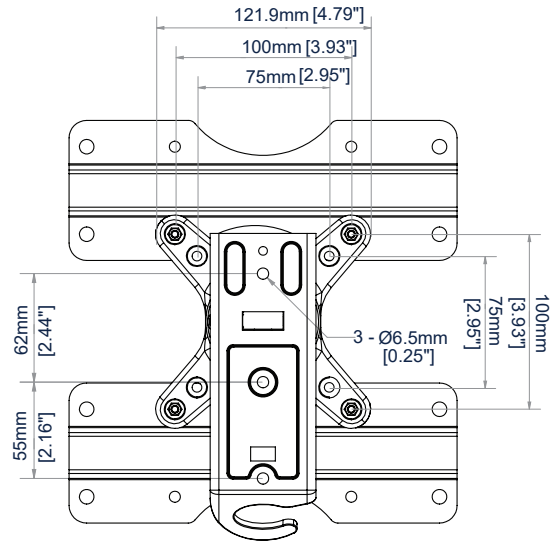
RECOMMENDED MAX SCREEN	MAX LOAD	MAX VESA	TILT	SWIVEL	ROTATION	QR CODE
47" 119cm	55lbs	200	15° 15°	180°	360°	



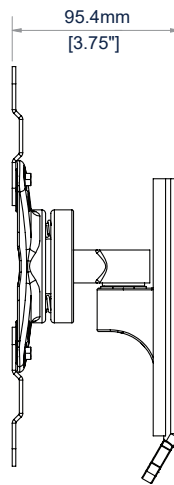
BTV502



FRONT VIEW



REAR VIEW



SIDE VIEW

ORDERING INFORMATION

COLOR	ORDER REF	UPC
Black	BTV502/B	811867032420

RELATED PRODUCTS

PRODUCT CODE	NAME	DESCRIPTION
BTV503	Single Arm Flat Screen Wall Mount	Features an additional swivel point and an extended reach of up to 9.44"
BTV504	Double Arm Flat Screen Wall Mount	Features 3 swivel points & an extended reach of up to 15.15"
BTV513	Double Arm Flat Screen Wall Mount	Features 3 swivel points & an extended reach of up to 17.71" for screens up 55"
BTV520	Flat Screen Wall Mount	Low profile mounting solution for screens up to 65"

© 2016 B-Tech AV Mounts, Inc. All rights reserved. The information this specification sheet reflects the current technical specifications at the time of printing. We reserve the right to change the technical or physical specifications without prior notice. The B-Tech name and the B-Tech logo are registered trademarks of B-Tech AV Mounts, Inc. All other trademarks are the property of their respective owners. B-Tech is not responsible for any damage caused by improper installation or mounting on unsuitable structures. Any reproduction or use without permission is prohibited. Specification sheet is strictly for informational purposes and does not constitute an offer. B-Tech AV Mounts, Inc. 1266 E.

SS-V3-BTV502-030924-NA