

BTV114

DOUBLE ARM FLAT SCREEN WALL MOUNT WITH TILT & SWIVEL

Designed to wall mount small sized screens, this double arm wall mount features a tilting interface and three swivel points, allowing quick and easy repositioning of screens as required - whether folded flat against the wall at a depth of 3" or at maximum extension. Cable management is included to help make a neat and tidy mounting solution which is ideal for home installations as well as commercial applications.



SPECIFICATIONS

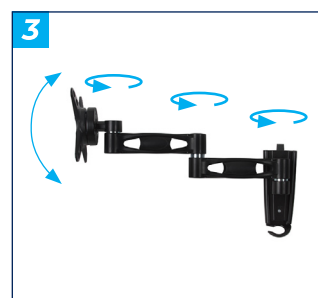
Recommended screen size	up to 28"
Max load	33lbs
VESA® compatibility	75 x 75 & 100 x 100
Tilt	+/-15°
Swivel at wall	180°
Swivel at interface	240°
Screen rotation	360°
Distance from wall	3" - 15.2"

FEATURES

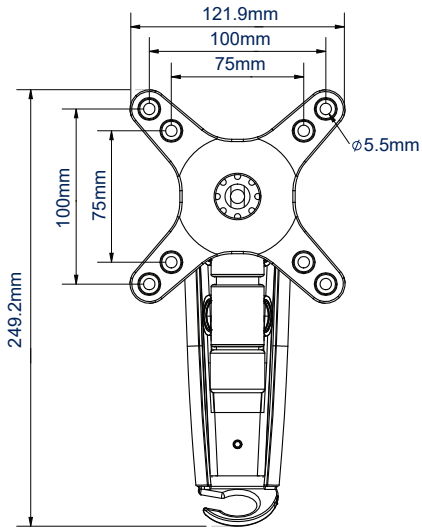
- 1 Screen mounting up to VESA 100
 - 2 Integrated cable management and spirit level included
 - 3 Features swivel and up / down tilt
 - 4 Screen rotation allows screen to be positioned in landscape or portrait
- Three swivel points allow for easy repositioning of the screen
 - Folds flat to the wall
 - Simple 'hook-on' installation with all mounting hardware included



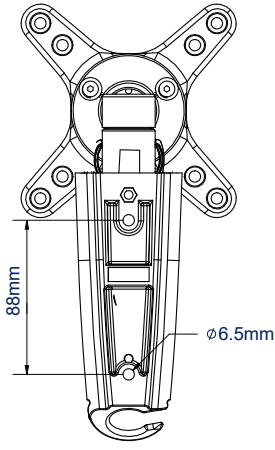
RECOMMENDED MAX SCREEN	MAX SCREEN WEIGHT	MAX VESA	TILT	SWIVEL	ROTATION	QR CODE
28" 71cm	33lbs	100	15° 15°	180°	360°	



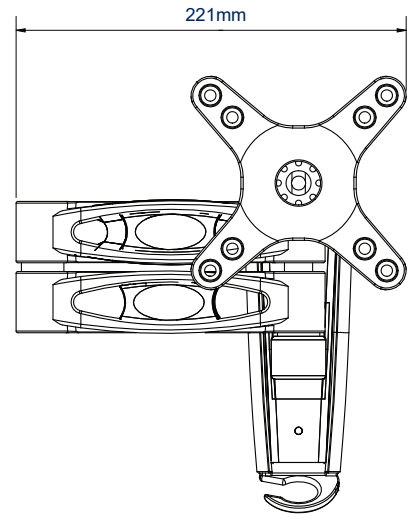
BTV114



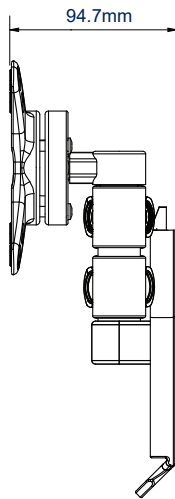
FRONT VIEW



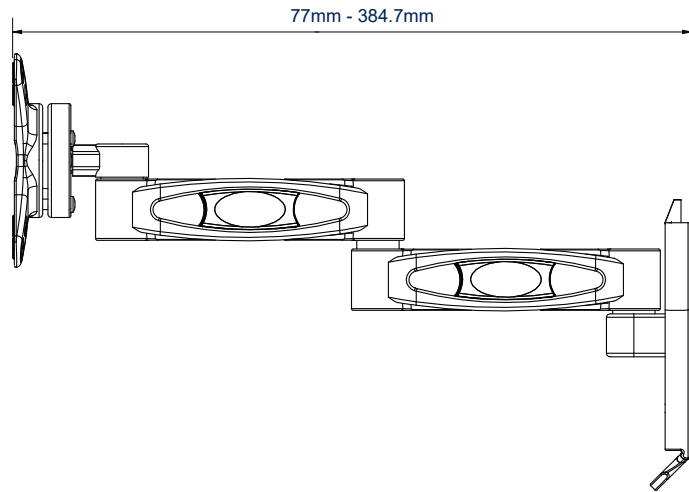
REAR VIEW



FRONT VIEW WITH ARM FOLDED FLAT



SIDE VIEW WITH ARM FOLDED



SIDE VIEW WITH ARM EXTENDED

ORDERING INFORMATION

COLOR	ORDER REF	BARCODE
Black	BTV114/B	50193184440595

RELATED PRODUCTS

PRODUCT CODE	NAME	DESCRIPTION
BTV920	AV Component Shelf	Adjustable shelf designed for all common AV equipment
BTV113	Single Arm Wall Mount with Tilt & Swivel	Designed for screens up to 23"
BTV504	Double Arm Wall Mount with Tilt & Swivel	Designed for screens up to 42"
BT7513	Double Arm Wall Mount with Tilt & Swivel	Designed for screens up to 23"

© 2014 B-Tech AV Mounts Corporation Ltd. All rights reserved. The information in this specification sheet reflects the current technical specifications at the time of printing. We reserve the right to change the technical or physical specifications without prior notice. The B-Tech name and the B-Tech logo are registered trademarks of B-Tech AV Mounts Corporation Ltd. B-Tech is a registered trademark of B-Tech AV Mounts Corporation Ltd. All other trademarks are the property of their respective owners. B-Tech is not responsible for any damage caused by improper installation or mounting on unstable structures. Any reproduction or use of information or images without the express written permission of B-Tech AV Mounts Corporation Ltd. is prohibited.

SS-V2-BTV114-040524