

BTF842

SYSTEM X™ DUAL STACK FLAT SCREEN FLOOR STAND 2.4M

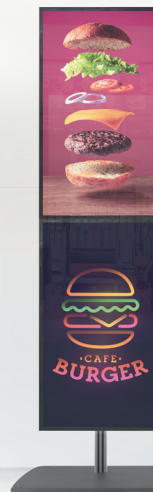
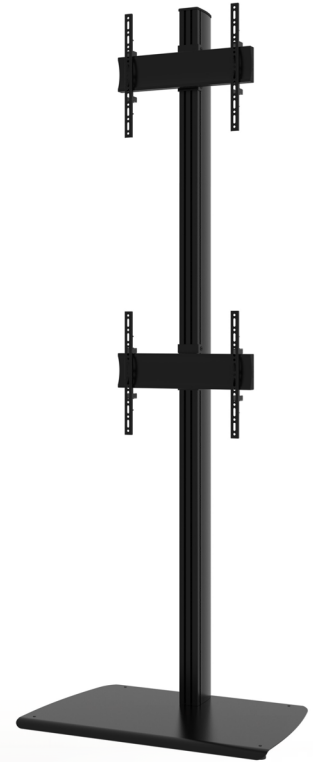
The **BTF842** is a premium mounting solution designed to mount two screens in portrait orientation, one above the other. A heavy duty steel base eliminates the need to bolt to the floor and adjustable levelling feet are included to accommodate uneven surfaces. The high-end aesthetic with an anodised aluminum finish and integrated cable management ensures finished installations are neat and tidy, making the BTF842 ideal for use in professional or commercial applications.

SPECIFICATIONS

Recommended screen size	47" - 65"
Max load (per screen)	77lbs
VESA® & non-VESA fixings (standard)	up to 472 x 400*
VESA® & non-VESA fixings (with adaptors)	up to 600 x 400*
Dimensions	W : 35" x D : 23.8" x H : 96"
Color options (column)	Black or Silver

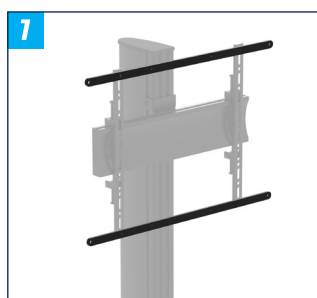
FEATURES

- 1 Maximum VESA fixing can be increased to 23.6" using the adaptor arms
 - 2 Supplied with adjustable levelling feet to accommodate uneven floor surfaces
 - 3 Collar compatible accessories such as shelves (available separately) can be fitted directly to the column
 - 4 Integrated cable management for a neat and tidy installation
- Suitable for portrait mounting
 - Heavy duty steel base construction provides stability
 - Can also be bolted to the floor to prevent unauthorized removal of the display
 - Arms feature levelling screws to adjust the screen height
 - Safety screws help prevent unauthorized screen removal
 - Simple 'hook-on' screen installation



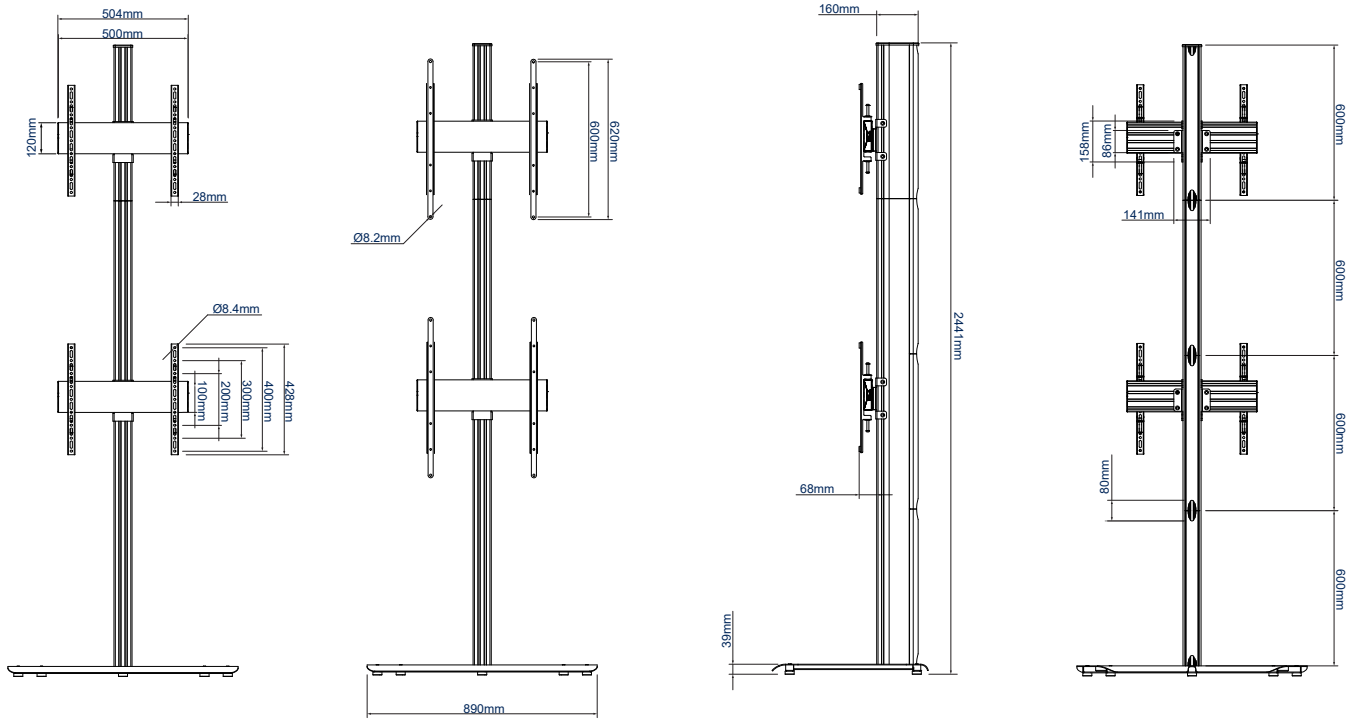
SYSTEM X

RECOMMENDED MAX SCREEN	MAX LOAD	MAX VESA	POST INSTALL ALIGNMENT	COLOUR OPTIONS	QR CODE
65" 165cm	77lbs	600 x 400	← →	● ○	



* As standard the maximum fixing dimension is 400. Increase the horizontal or vertical fixing to 600 using the included interface adaptor arms.

BTF842

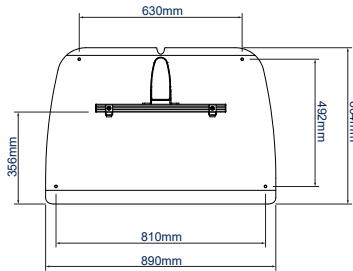


FRONT VIEW

FRONT VIEW WITH ADAPTOR ARMS

SIDE VIEW WITH ADAPTOR ARMS

REAR VIEW



TOP VIEW

ORDERING INFORMATION

COLOR	ORDER REF	BARCODE
Black	BTF842/BB	5019318087585
Silver	BTF842/BS	5019318087592

RELATED PRODUCTS

PRODUCT CODE	NAME	DESCRIPTION
BT7032	Large AV Accessory Shelf	Designed to add AV accessories to an installation / wall
BT8390-VESA400T	VESA 400 Interface Arms	Designed to mount medium / large sized screens in a tilted position
BTF840	System X Flat Screen Floor Stand	Designed to mount a single screen in portrait or landscape
BTF841	System X Dual Stack Floor Stand	Designed to mount two screens, one above the other, in landscape or portrait

© 2018 B-Tech AV Mounts Corporation Ltd. All rights reserved.
 The information in this specification sheet reflects the current technical specifications at the time of printing.
 We reserve the right to change the technical or physical specifications without prior notice. This B-Tech name and the B-Tech logo are registered trademarks of B-Tech AV Mounts Corporation Ltd.
 B-Tech is not responsible for any damage caused by improper installation or mounting on unstable structures. Any reproduction or use without permission or see advertisement or registration of any part of this specification sheet is strictly prohibited unless prior written permission is granted by B-Tech AV Mounts Corporation Ltd. B-Tech.

SS-V2-BTF842-040725