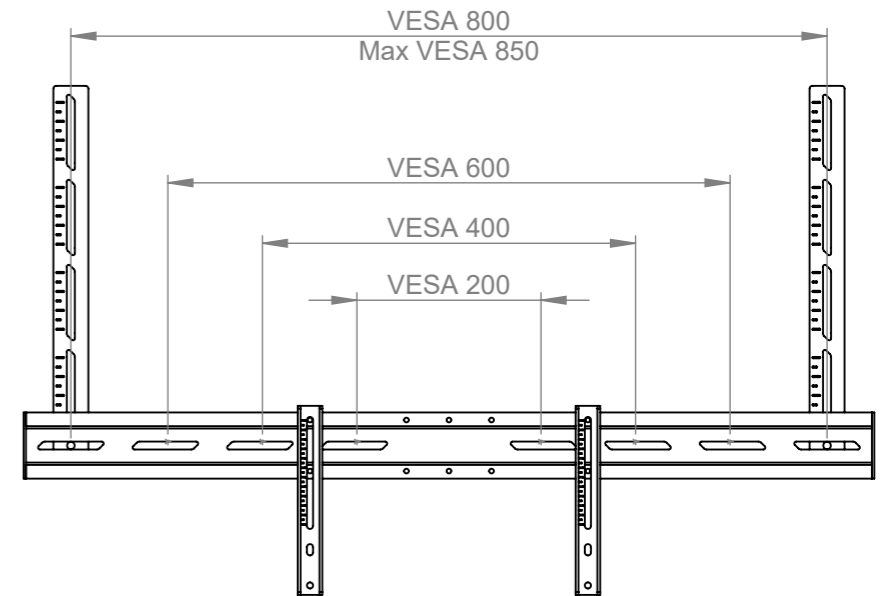
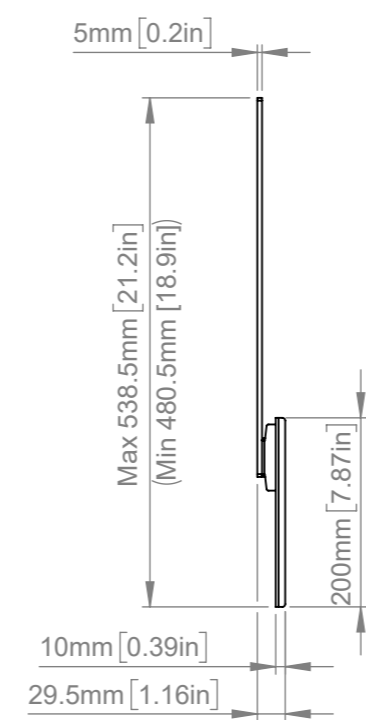
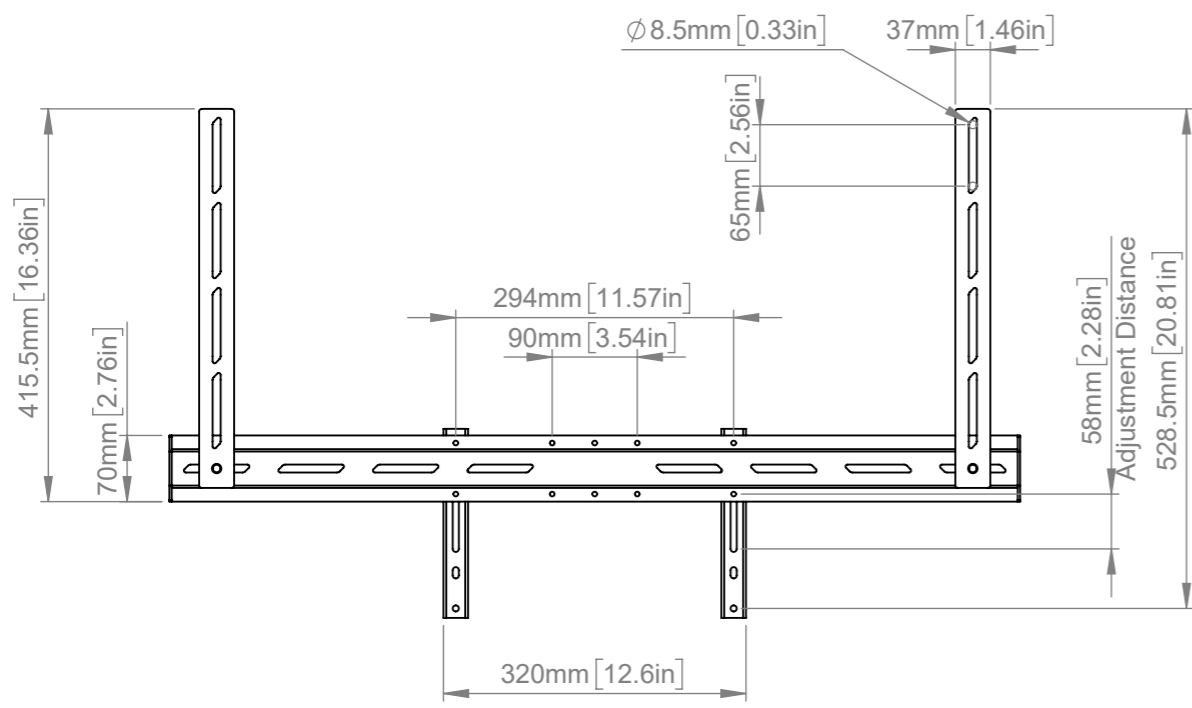
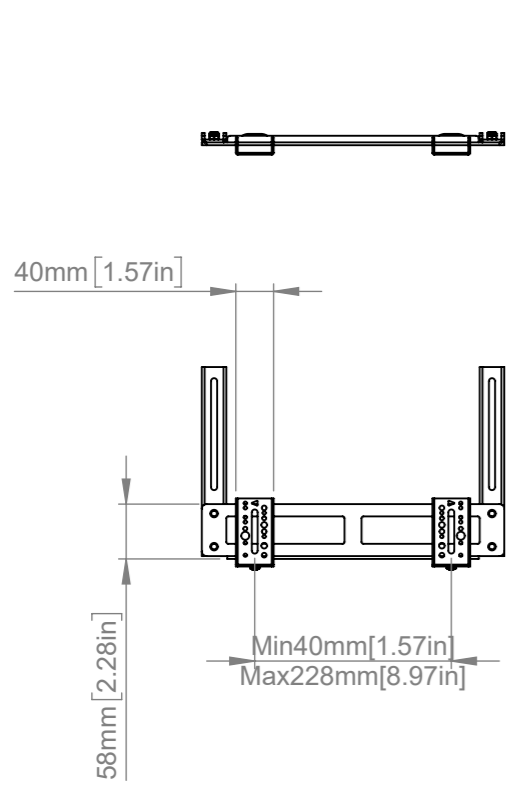


ISOMETRIC VIEW

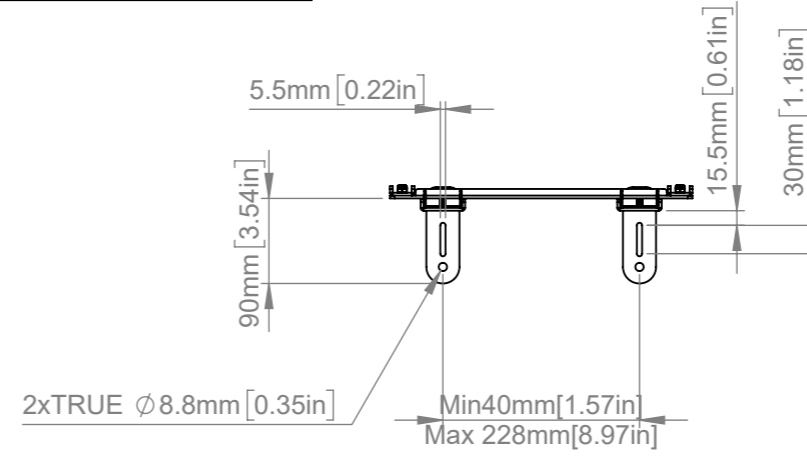
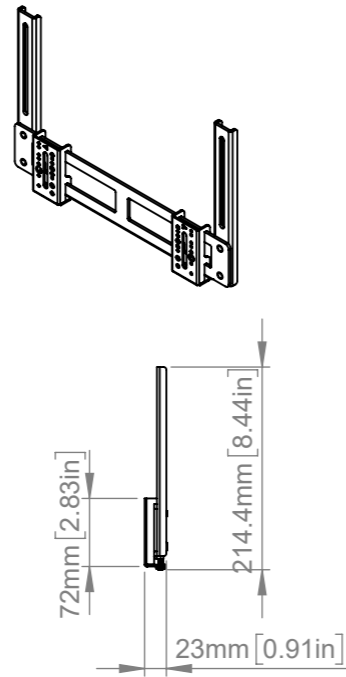


B-Tech AV Mounts Corporation Limited makes no representation or warranties, express or implied, with respect to the reuse of the data provided herewith, regardless of its format or the means of its transmission. B-Tech AV Mounts Corporation Limited makes every effort to provide accurate information, however there is no guarantee or representation to the user as to the accuracy, currency, suitability or reliability of this data. The user assumes all risks associated with its use. B-Tech AV Mounts Corporation Limited assumes no responsibility for actual or consequential damage incurred as a result of any user's reliance on this data.

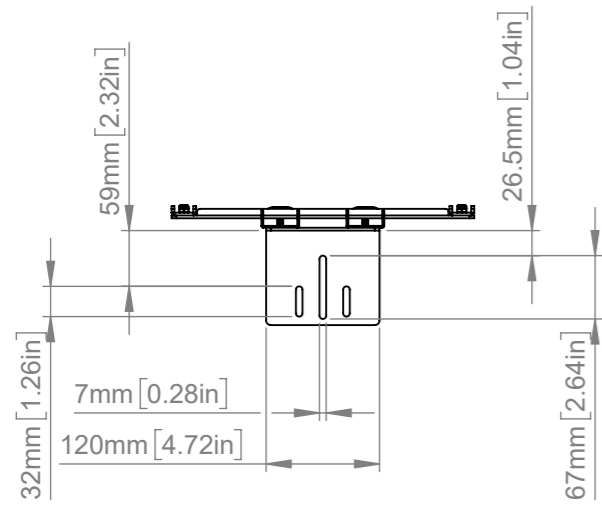
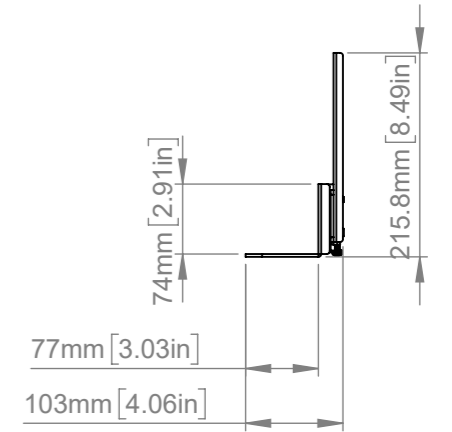
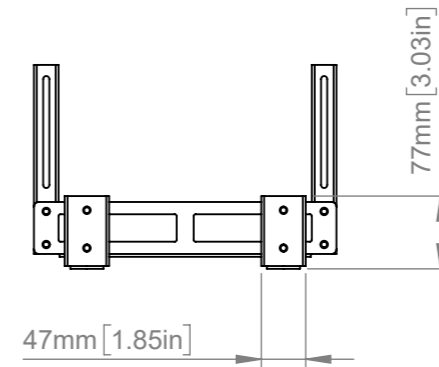
<b>B-Tech AV Mounts Corporation Limited</b>				<b>B-Tech No:</b> BT7870
				<b>Title:</b> Universal Conferencing Mount for Videobars and VC Cameras
	UNLESS OTHERWISE SPECIFIED DIMENSIONS ARE IN MILLIMETERS	<b>Size:</b> A3	<b>Revision:</b> R00	
		<b>Scale:</b> 1:8	<b>Date:</b> 24/09/2024	
		<b>Sheet:</b> 1 of 2	<b>File Name:</b> BTD-BT7870	



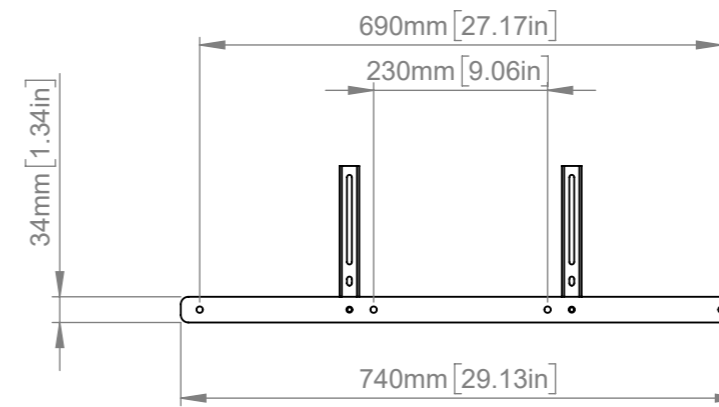
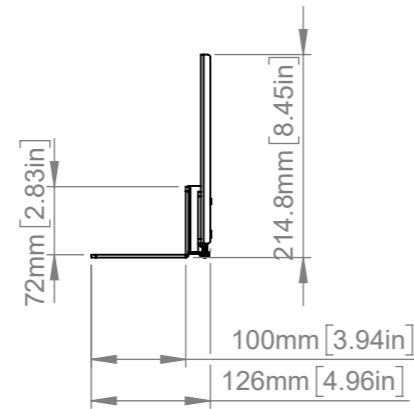
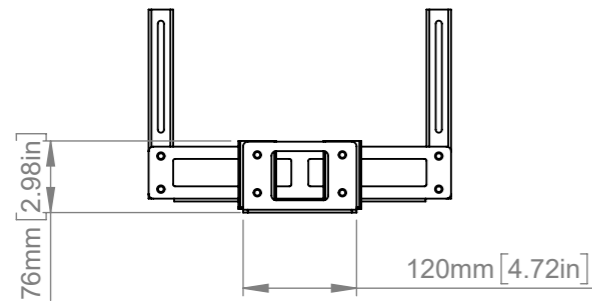
Option 1



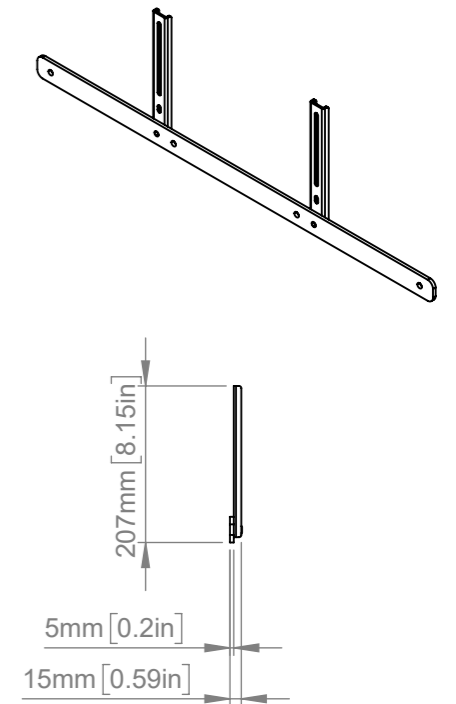
Option 2



Option 3



Option 4



<b>B-Tech AV Mounts Corporation Limited</b>				<b>B-Tech No:</b> BT7870
				<b>Title:</b> Universal Conferencing Mount for Videobars and VC Cameras
	UNLESS OTHERWISE SPECIFIED DIMENSIONS ARE IN MILLIMETERS	<b>Size:</b> A3	<b>Revision:</b> R00	
		<b>Scale:</b> 1:8	<b>Date:</b> 24/09/2024	
		<b>Sheet:</b> 2 of 2	<b>File Name:</b> BTD-BT7870	