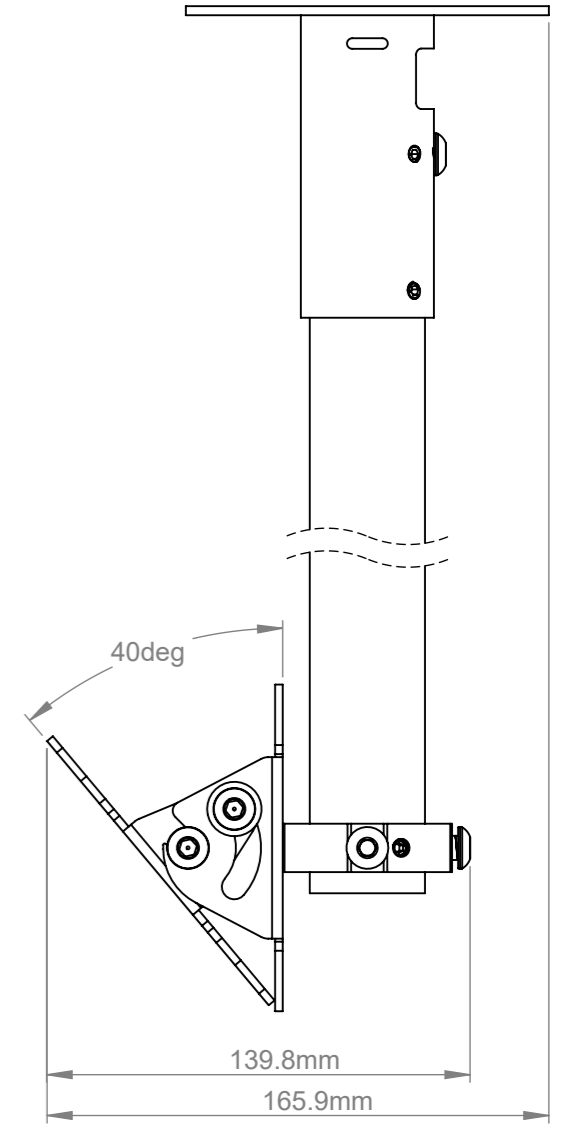
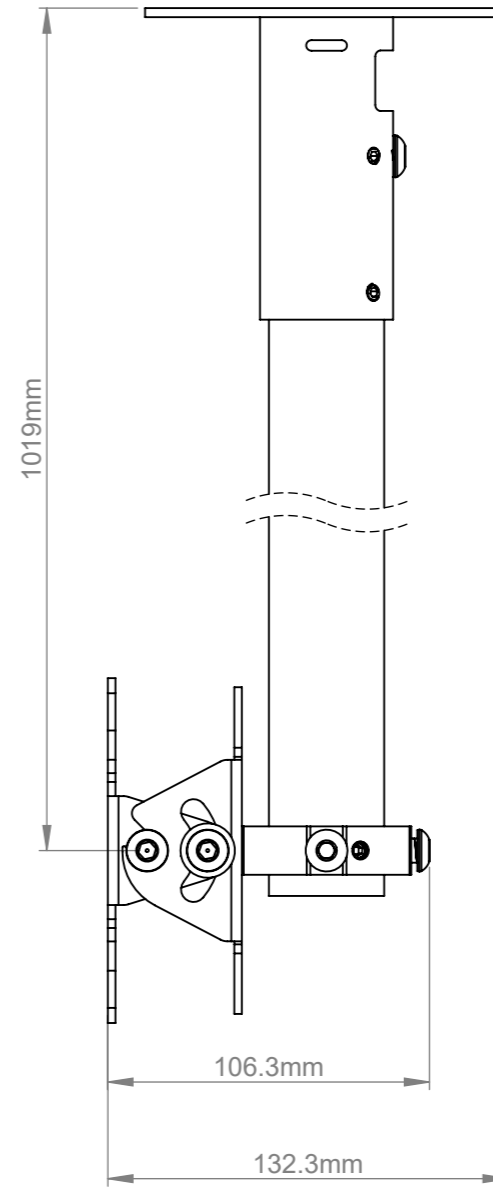
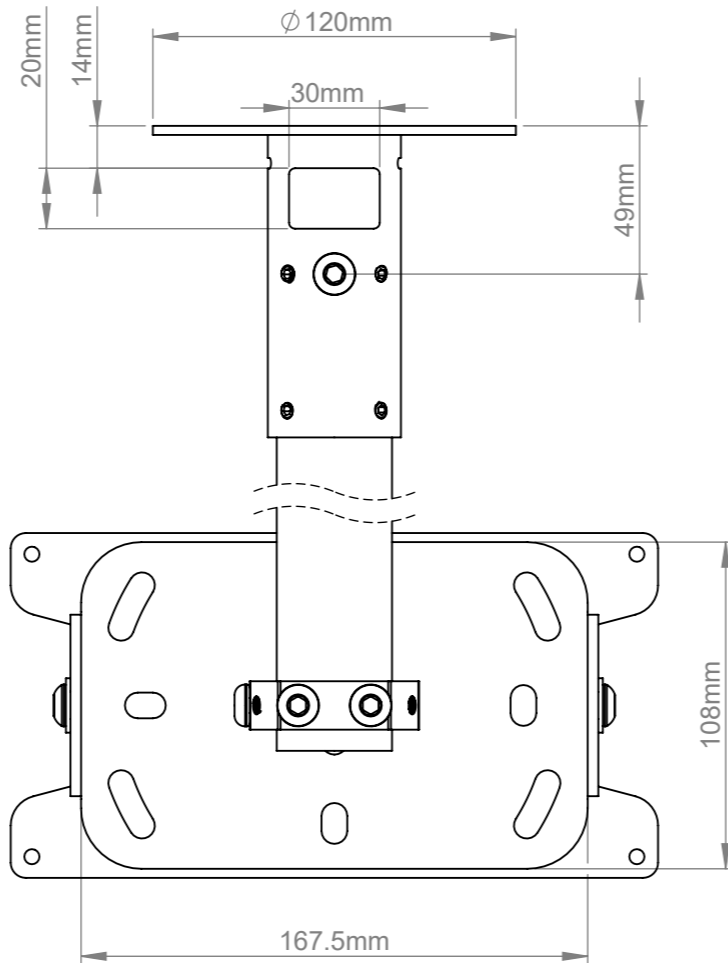
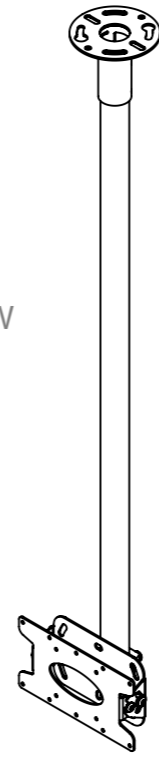
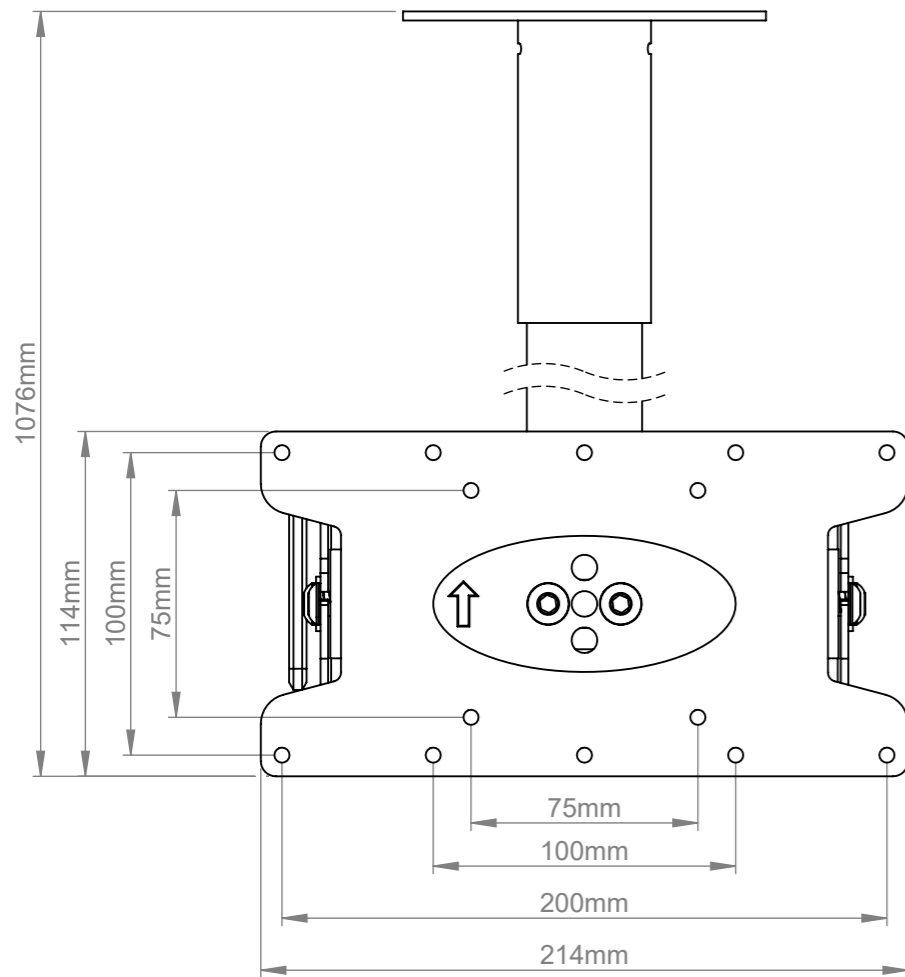


ISOMETRIC VIEW
SCALE: 1 : 10



MAX TILT MOUNTED
WITHOUT ADAPTOR
ARMS



INTERFACE PLATE WITHOUT ADAPTOR ARMS

B-Tech International Design & Manufacturing Limited
Part of the B-Tech International Group

B-Tech No: BT5972-FD100

Title: SYSTEM V - Flat Screen Ceiling Mount for VESA 200 Tilt Screens - 1m



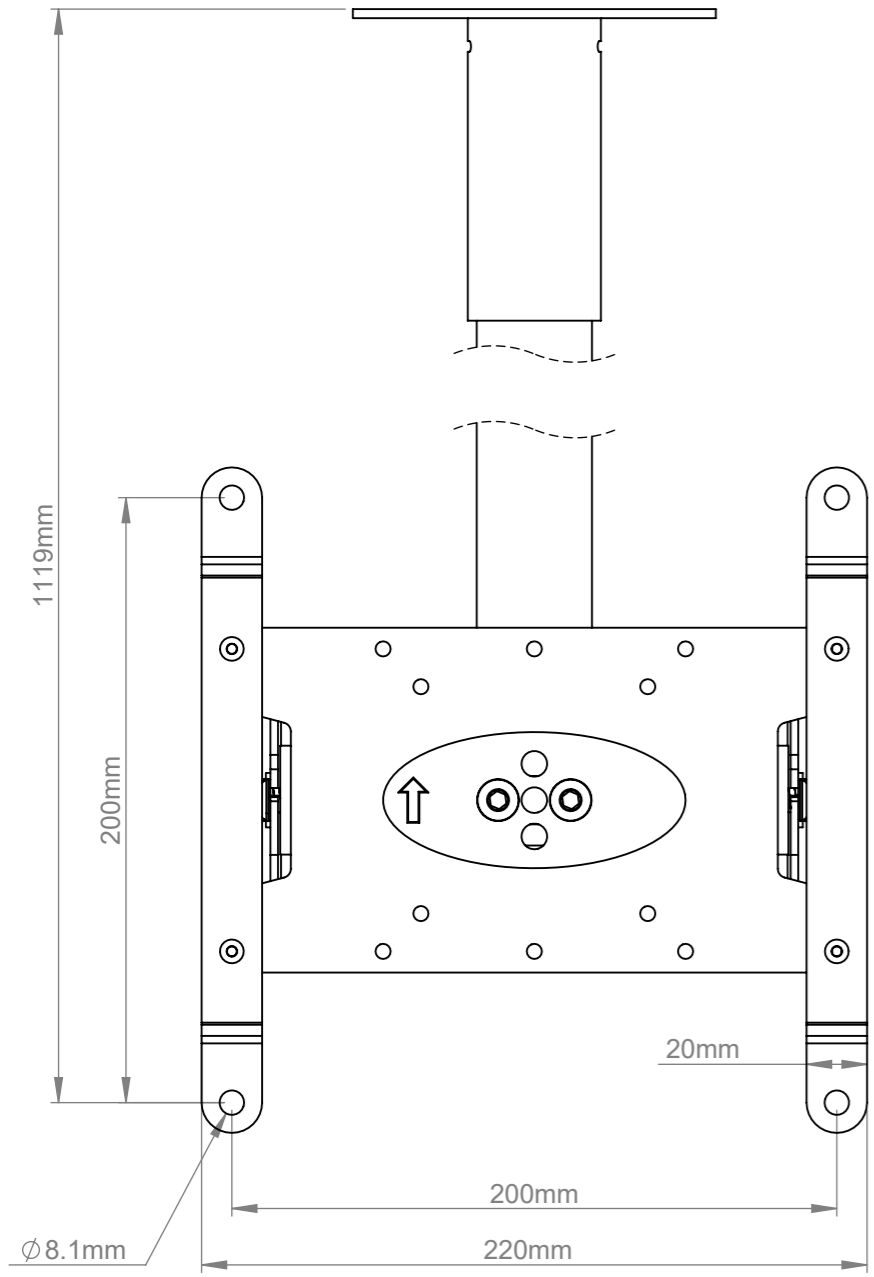
UNLESS OTHERWISE SPECIFIED DIMENSIONS ARE IN MILLIMETERS

Size: A3
Scale: 2:5
Sheet: 1 of 2

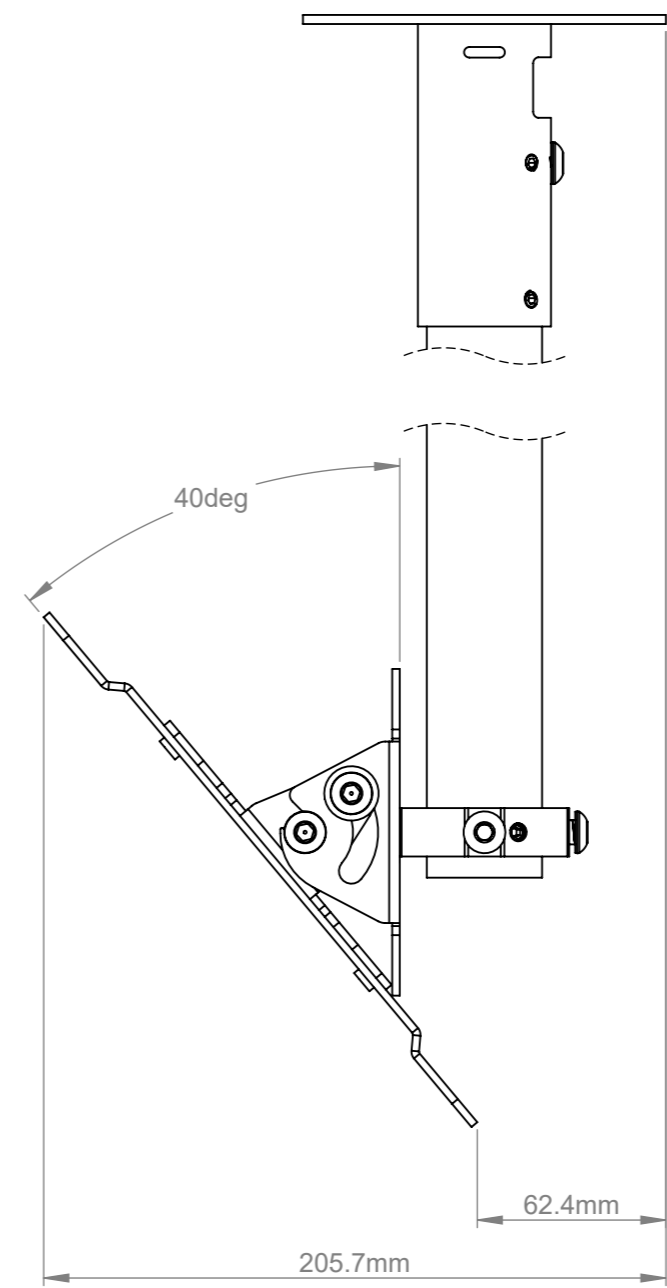
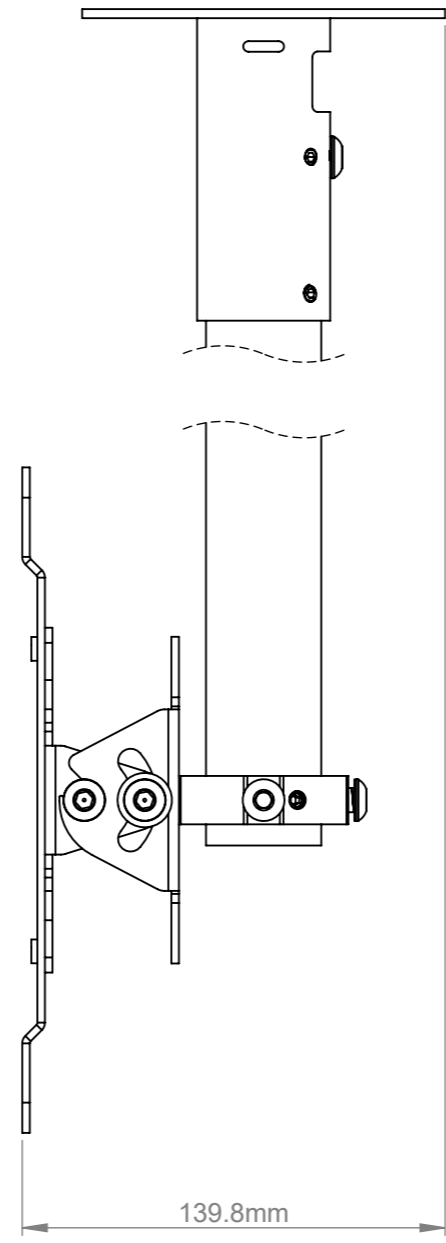
Revision: R01

Date: 11/02/2021

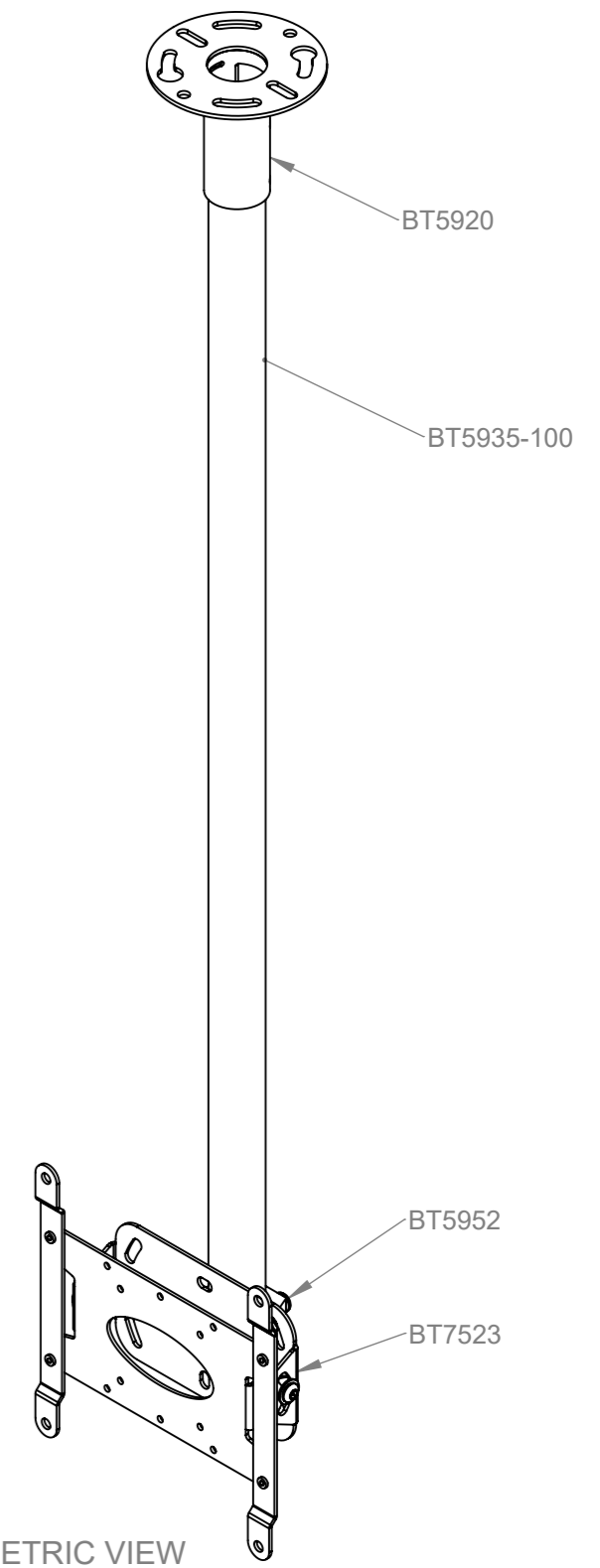
File Name: BTD-BT5972-FD100



INTERFACE WITH ADAPTORS




MAX TILT MOUNTED WITH ADAPTOR ARMS



ISOMETRIC VIEW
SCALE: 1 : 5

B-Tech International Design and Manufacturing Limited makes no representation or warranties, express or implied, with respect to the reuse of the data provided herewith, regardless of its format or the means of its transmission. B-Tech International Design and Manufacturing Limited makes every effort to provide accurate information, however there is no guarantee or representation to the user as to the accuracy, currency, suitability or reliability of this data. The user assumes all risks associated with its use. B-Tech International Design and Manufacturing Limited assumes no responsibility for actual or consequential damage incurred as a result of any user's reliance on this data.

B-Tech International Design & Manufacturing Limited Part of the B-Tech International Group		B-Tech No:	BT5972-FD100	
		Title:	SYSTEM V - Flat Screen Ceiling Mount for VESA 200 Tilt Screens - 1m	
 UNLESS OTHERWISE SPECIFIED DIMENSIONS ARE IN MILLIMETERS	Size:	A3	Revision:	R01
	Scale:	2:5	Date:	11/02/2021
	Sheet:	2 of 2	File Name:	BTD-BT5972-FD100