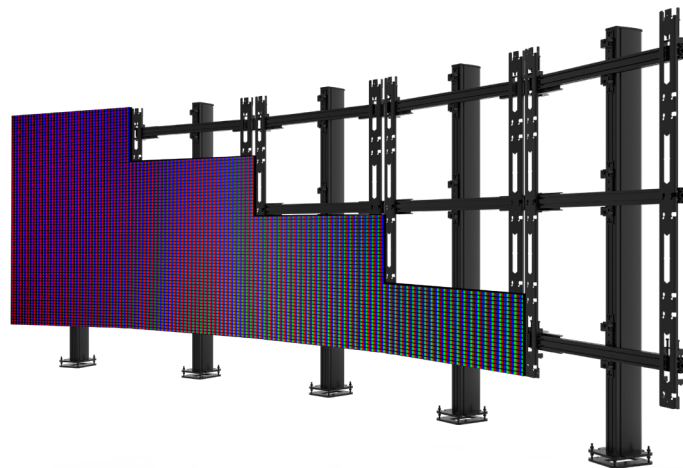


## BT9375

### UNIVERSAL dvLED CURVED BOLT-DOWN STAND FOR ANY CONFIGURATION

Part of B-Tech's System Xpert range, BT9375 is a universal curved bolt-down solution suitable for all dvLED brands and cabinet types that allow for curves; including non-latching cabinets. BT9375 is configurable to your exact needs and requirements, taking into account the cabinet brand, size and configuration. Also available in several other formats including wall-mounted and freestanding.

System Xpert, the installers choice, is a premium range of dvLED mounting solutions trusted for its quality, ease of use, adjustability and fast installation. It meets every need, from small format wall mounts to extra-large, curved, odd shaped or even ceiling set-ups. Configurations can be generated using our online configuration tool and for more ambitious projects, our expert engineers can assist with bespoke specifications via email at [technical@btechavmounts.com](mailto:technical@btechavmounts.com). The range also includes **B-Tech's Service+** free of charge, which offers customers a fully integrated service with detailed documentation, pre-assembled components and precision engineered Interface components for your specific application.



#### SPECIFICATIONS

Compatible Panels	Contact <a href="mailto:technical@btechavmounts.com">technical@btechavmounts.com</a>
Panel fixing method	<b>Front or Rear mounted*</b>
Color (Rails & Interface Arms)	<b>Black</b>
Color (Columns)	<b>Black</b>
For indoor use only	

#### FEATURES

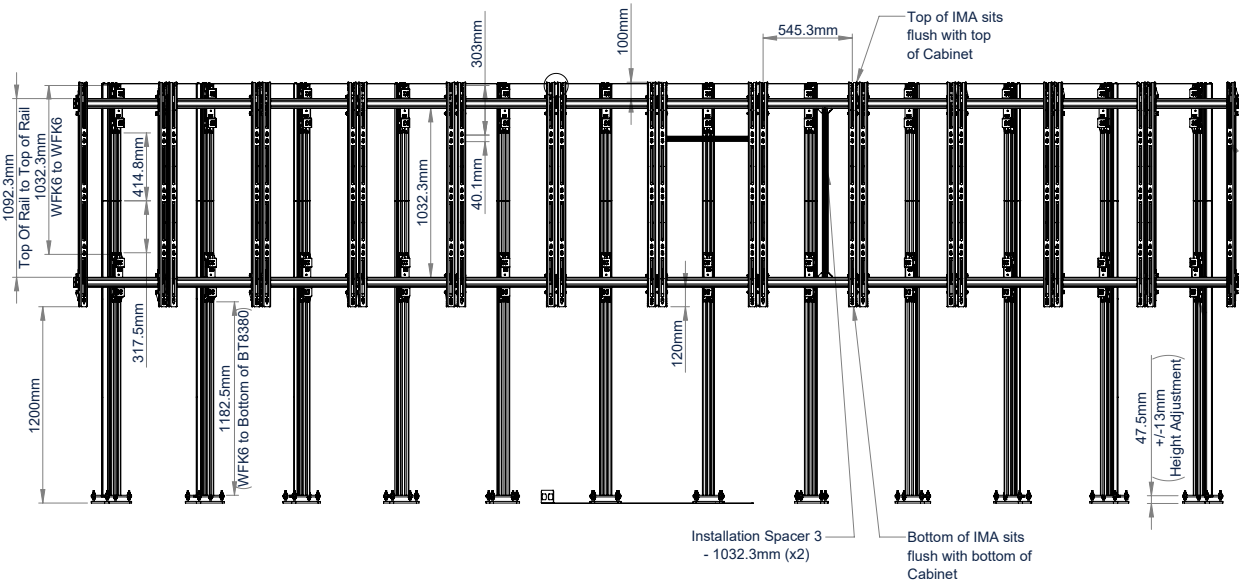
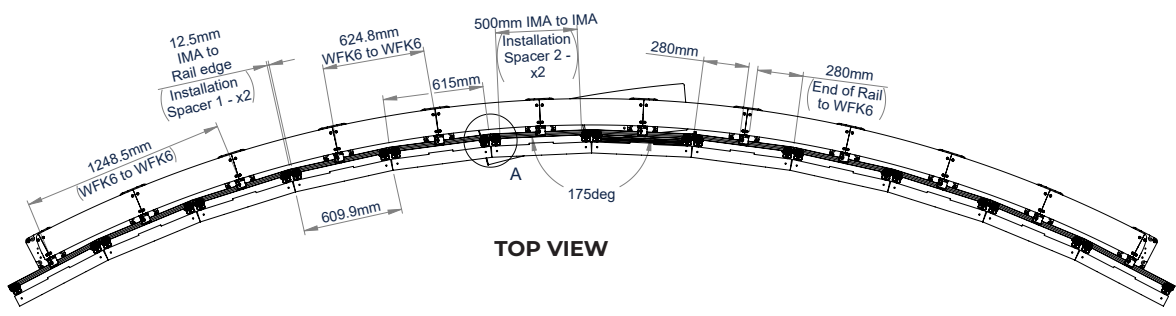
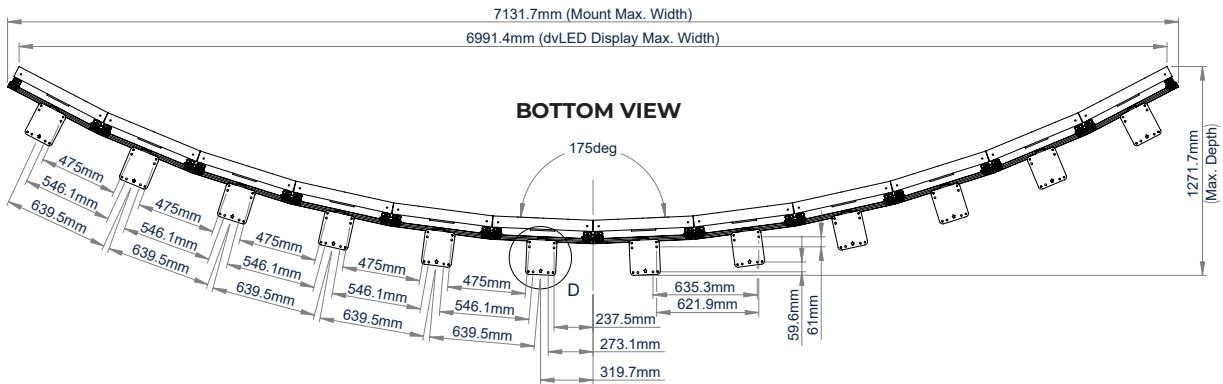
- 1** Assembled from off-the-shelf components for fast order fulfilment
- 2** Features base with level adjustment for use on uneven surfaces or floors
- 3** Simple 'hook-on' installation with added height and depth adjustment
- 4** B-Tech technical support available for configuration and quoting
  - Online configuration tool for quick turnaround of quotes
  - System can be extended to any required width for large installations
  - Open frame allows panel access for easy servicing and maintenance
  - Pre-assembly of major parts for quick and easy installation
  - All mounting hardware included
  - In depth installation overview video available at [www.btechavmounts.com/system-xpert-overview](http://www.btechavmounts.com/system-xpert-overview)



\*Product image is indicative of a 5x4 configuration  
\*Hybrid mounting options allow for rear mounted fixings if required

**BT9375**

**EXAMPLE 12x4 CONFIGURATION**



**FRONT VIEW**

**RELATED PRODUCTS**

PRODUCT CODE	NAME	DESCRIPTION
BT9340	System Xpert Universal dvLED Wall Mount	Designed to mount LED cabinets in any size and configuration
BT9370	System Xpert Universal dvLED Stand	Designed to mount LED cabinets in any size and configuration
BT9343	System Xpert Universal dvLED Curved Wall Mount	Designed to mount LED cabinets in any size and configuration
BT9373	System Xpert Universal dvLED Curved Stand	Designed to mount LED cabinets in any size and configuration

© 2018 B-Tech, All Rights Reserved. The information this specification sheet reflects the current technical specifications at the time of printing. We reserve the right to change the technical or physical specifications without prior notice. The B-Tech name and the B-Tech logo are registered trademarks of B-Tech, All Rights Reserved. B-Tech is a registered trademark of B-Tech, All Rights Reserved. B-Tech is not responsible for any damage caused by improper installation or mounting on unstable structures. Any reproduction or use of this specification sheet is strictly prohibited unless prior written permission is granted by B-Tech, All Rights Reserved. SS-BT9375-0807Z5