

# BT8702

## PREMIUM FLOOR-TO-CEILING SINGLE SCREEN UC STAND

The BT8702 is a premium flat screen display stand which can be customized with a variety of optional accessories such as VC shelves and media storage solutions. As part of B-Tech's ModeAL brand of high-end display solutions, the BT8702 features a premium aesthetic which is perfectly suited to corporate office spaces and UC applications such as in boardrooms or conference facilities. Designed to mount screens in a floor-to-ceiling configuration, the stand bolts to the floor with a minimal footprint and features integrated cable management to ensure a smart and stylish installation which is in keeping with the high-end, contemporary aesthetic.

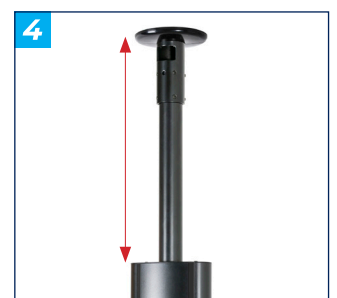
### SPECIFICATIONS

Recommended screen size	<b>39" - 75"</b>
Max load	<b>154lbs</b>
VESA® and non-VESA fixings	up to <b>672 x 400</b>
Min floor to ceiling height	<b>80.7"</b>
Max floor to ceiling height	<b>106.3"</b>
Dimensions	W : <b>27.8"</b> D : <b>8.3"</b> H : <b>80.7"-106.3"</b>
Color options	<b>Black</b> or <b>Silver &amp; Black</b>

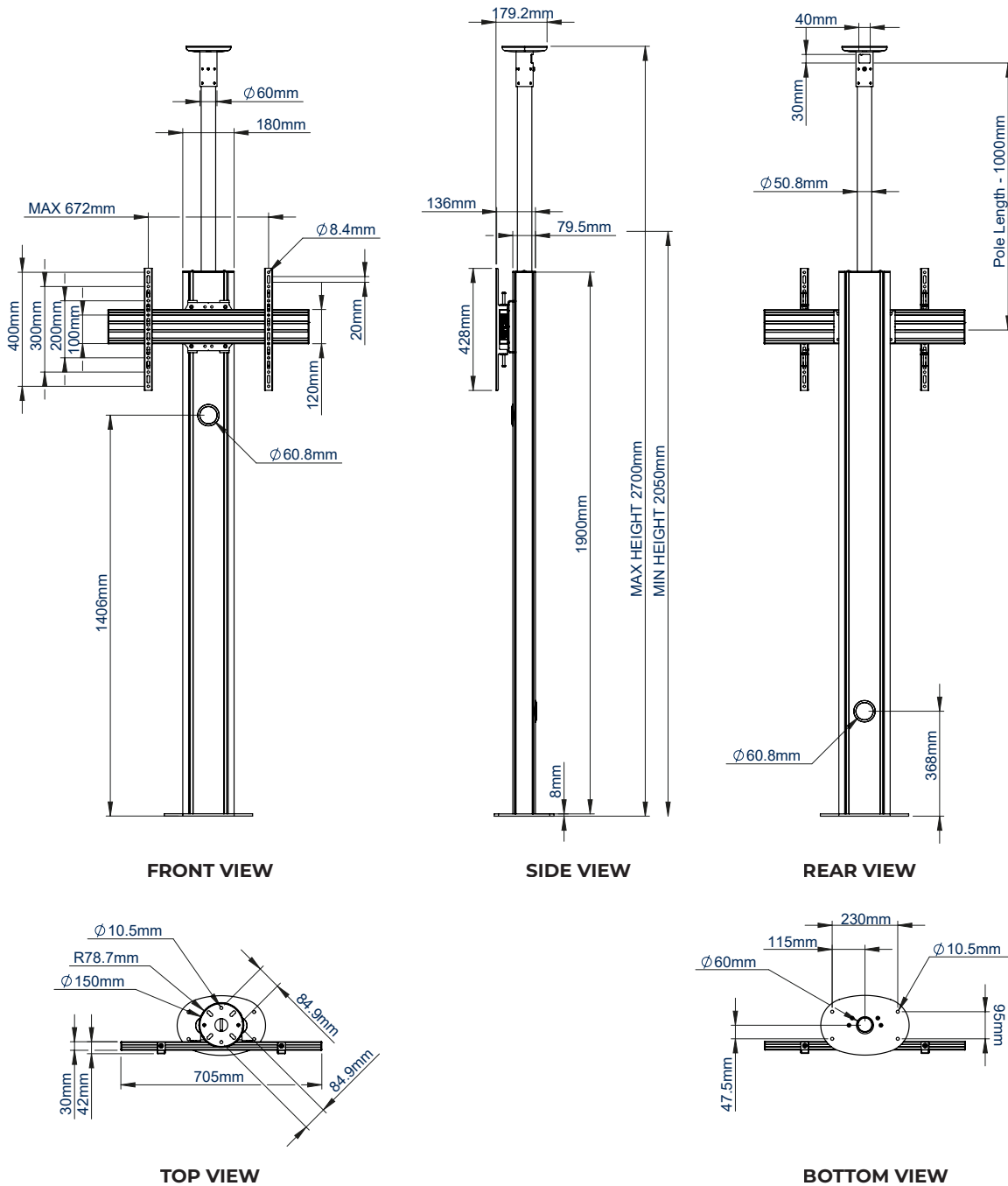
### FEATURES

- 1 Available in Black or Silver & Black
- 2 Integrated cable management throughout the vertical column
- 3 Accessories such as VC Shelves & media storage can be fitted easily (available separately)
- 4 Pole can be positioned to accommodate a range of ceiling heights
  - Designed to mount a screen in a floor-to-ceiling fixed configuration
  - Suitable for landscape or portrait mounting
  - Arms feature levelling screws to adjust the screen height
  - Small footprint for an unobtrusive installation into confined areas
  - Safety screws help prevent unauthorized removal of screens
  - Easily accessorized with a flip-down media storage tray and VC shelf (available separately), which can be positioned above or below the screen
  - Simple 'hook-on' screen installation

RECOMMENDED MAX SCREEN	MAX LOAD	MAX VESA	POST INSTALL ALIGNMENT	QR CODE
75" 190cm	154lbs	600 x 400	← →	



# BT8702



## ORDERING INFORMATION

COLOR	ORDER REF	BARCODE
Black	BT8702/B	5019318303057
Silver & Black	BT8702/BS	5019318303064

## RELATED PRODUCTS

PRODUCT CODE	NAME	DESCRIPTION
BT8390-SA	Adjustable Accessory Mounting Arm	Designed for VC cameras when used with BT7863
BT7863	Small AV Accessory Shelf	Designed for use with BT8390-SA to mount VC cameras
BT7884	Flip-Down AV Storage Tray	Designed to hold & hide AV accessories & power supplies
BT8701	Premium Floor-to-Wall Single Screen UC Stand - 2M	Designed for screens up to 70"

© 2016 B.Tech. AV Mounts Corporation Ltd. All rights reserved.  
 The information in this specification sheet reflects the current technical specifications at the time of printing.  
 We reserve the right to change the technical or physical specifications without prior notice. The B.Tech. name and the B.Tech. logo are registered trademarks of B.Tech. AV Mounts Corporation Ltd.  
 B.Tech. is not responsible for any loss or damage caused by improper installation or mounting on unstable structures. Any reproduction or use without the permission of B.Tech. AV Mounts Corporation Ltd. is prohibited.  
 Specification sheet is strictly for reference only. For more information, please contact B.Tech. AV Mounts Corporation Ltd. directly.

SS-V2-BT8702-020725