

BT8583

TWIN COLUMN FLOOR STAND LARGE FLAT SCREEN

BT8583 is a stylish twin column floor stand designed to mount a flat screen display up to 75". The base features non-marking rubber feet, grab handles for easy handling and a cover plate. A flat screen can be mounted at any height along the 1.8m vertical columns, and B-Tech accessories such as AV shelves can also be fitted directly to the columns.

SPECIFICATIONS

Recommended screen size	up to 75"
Max load	154lbs
VESA® and non-VESA fixings	up to 600 x 400 (with included adaptors)
Fixing patterns	up to 17.9" x 15.7"
Dimensions	W : 31.5" D : 23.6" H : 71.9"
No. of BT8381 columns	2
Colors (column)	Black or Black and Silver

FEATURES

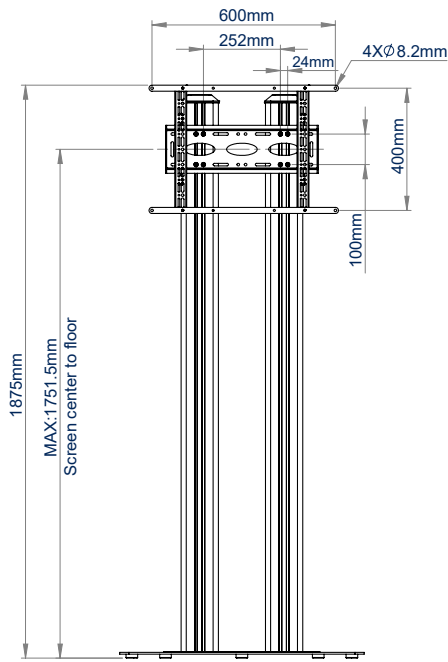
- 1** Supplied with non-marking rubber feet for increased stability
- 2** Grab handles allow for easy handling
- 3** Integrated cable managements
- 4** Includes cover plate to hide grab handles once installed
- Suitable to mount screens in landscape or portrait orientation
- Heavy-duty 0.2" thick steel base construction
- B-Tech shelves and accessories can be fitted directly to the vertical columns
- Simple 'hook-on' installation
- All mounting hardware included



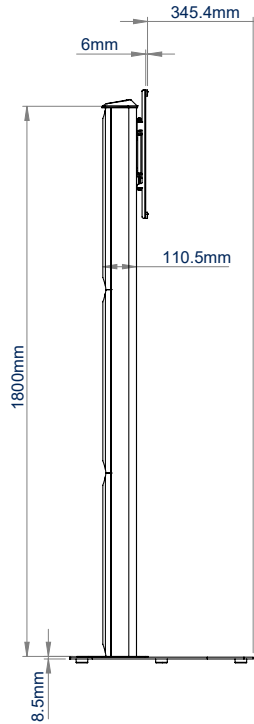
RECOMMENDED MAX SCREEN	MAX LOAD	MAX VESA	POST INSTALL ALIGNMENT	QR CODE
75" 190cm	154lbs	600 x 400	← →	



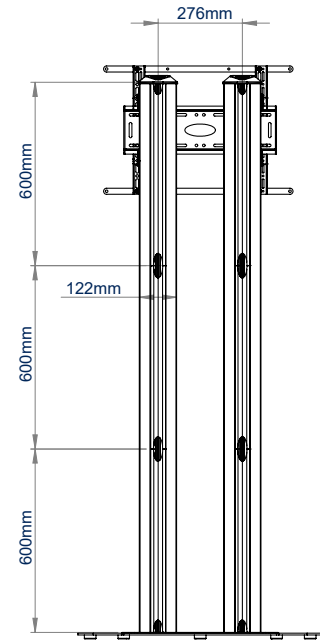
BT8583



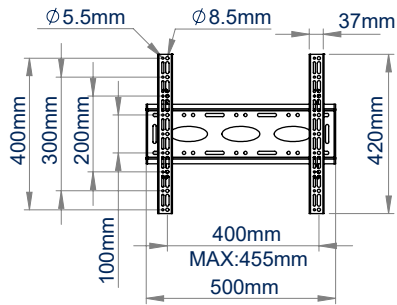
FRONT VIEW



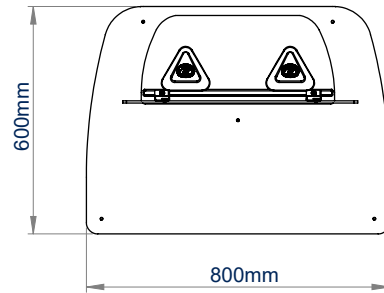
SIDE VIEW



BACK VIEW



MOUNT



TOP VIEW

ORDERING INFORMATION

COLOR	ORDER REF	BARCODE
Black	BT8583/BB	5019318305870
Black / Silver	BT8583/BS	5019318305887

RELATED PRODUCTS

PRODUCT CODE	NAME	DESCRIPTION
BT8381	System X Vertical Support Column	Available in Silver or Black
BT7032	Large AV Accessory Shelf	Designed for mounting to Ø2" poles with BT7052 collars
BT8573	Floor Stand for Large Flat Screens	Twin Pole stand designed for screens up to 75" / 154lbs
BT8582	Floor Stand for Medium Flat Screens	Designed for screens up to 55" / 88"

© 2018 B-Tech AV Mounts Corporation Ltd. All rights reserved. The information in this specification sheet reflects the current technical specifications at the time of printing. We reserve the right to change the technical or physical specifications without prior notice. The B-Tech name and the B-Tech logo are registered trademarks of B-Tech AV Mounts Corporation Ltd. B-Tech is a registered trademark of B-Tech AV Mounts Corporation Ltd. B-Tech is not responsible for any damage caused by improper installation or mounting on unstable structures. Any reproduction or use without the express written permission of B-Tech AV Mounts Corporation Ltd. is prohibited. Specification sheet is strictly confidential and not to be distributed outside the company.

SS-V2-BT8583-040725