

# BT8583

## TWIN COLUMN FLOOR STAND LARGE FLAT SCREEN

BT8583 is a stylish twin column floor stand designed to mount a flat screen display up to 75". The base features non-marking rubber feet, grab handles for easy handling and a cover plate. A flat screen can be mounted at any height along the 1.8m vertical columns, and B-Tech accessories such as AV shelves can also be fitted directly to the columns.


### SPECIFICATIONS

|                            |   |
|----------------------------|---|
| Recommended screen size    | up to <b>75"</b>                                    |
| Max load                   | <b>70kg</b>   |
| VESA® and non-VESA fixings | up to <b>600 x 400mm</b> (with included adaptors)   |
| Fixing patterns            | up to <b>455 x 400mm</b>                            |
| Dimensions                 | W : <b>800mm</b> D : <b>600mm</b> H : <b>1826mm</b> |
| No. of BT8381 columns      | <b>2</b>  |
| Colours (column)           | <b>Black</b> or <b>Black and Silver</b>             |

### FEATURES

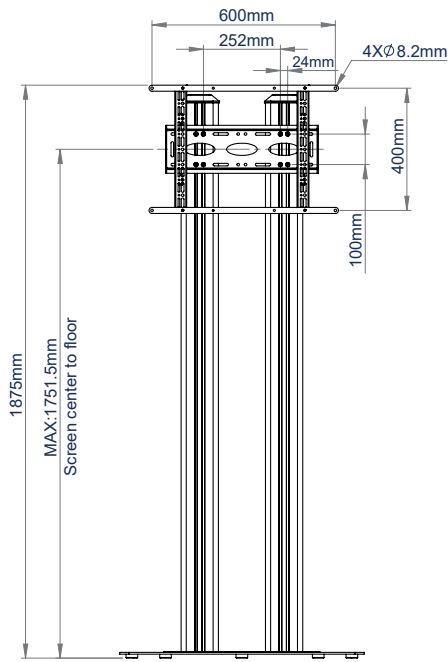
- 1** Supplied with non-marking rubber feet for increased stability
- 2** Grab handles allow for easy handling
- 3** Integrated cable managements
- 4** Includes cover plate to hide grab handles once installed
- Suitable to mount screens in landscape or portrait orientation
- Heavy-duty 6mm thick steel base construction
- B-Tech shelves and accessories can be fitted directly to the vertical columns
- Simple 'hook-on' installation
- All mounting hardware included



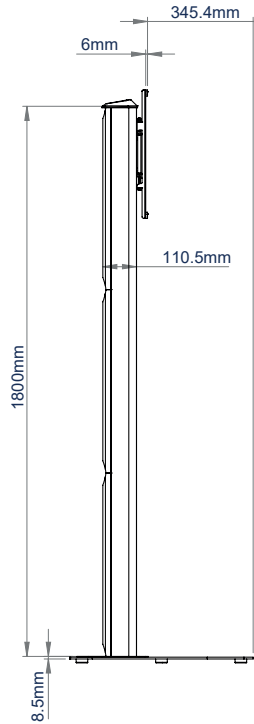
| RECOMMENDED<br>MAX SCREEN | MAX<br>LOAD | MAX<br>VESA     | POST INSTALL<br>ALIGNMENT | QR CODE   |
|---------------------------|-------------|-----------------|---------------------------|---|
| 75"<br>190cm              | 70kg        | 600<br>x<br>400 | ← →                       |  |



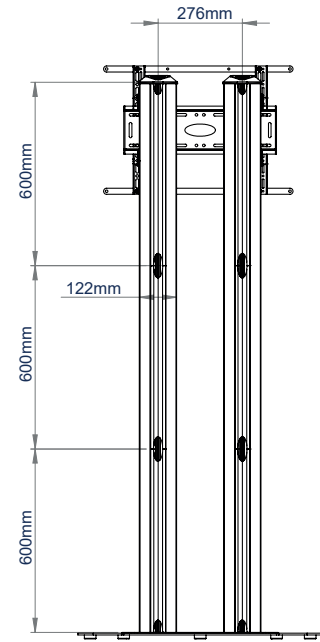
# BT8583



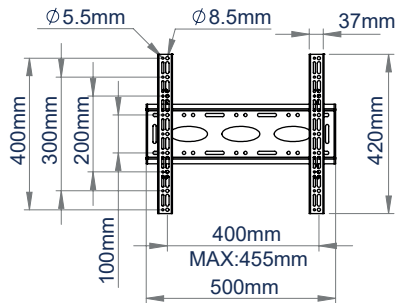
FRONT VIEW



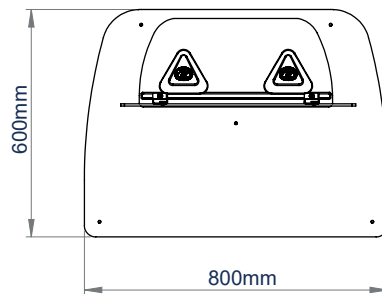
SIDE VIEW



BACK VIEW



MOUNT



TOP VIEW

## ORDERING INFORMATION

| COLOUR         | ORDER REF | EAN           |
|----------------|-----------|---------------|
| Black          | BT8583/BB | 5019318305870 |
| Black / Silver | BT8583/BS | 5019318305887 |

## RELATED PRODUCTS

| PRODUCT CODE | NAME                                | DESCRIPTION  |
|--------------|-------------------------------------|--|
| BT8381       | System X Vertical Support Column    | Available in Silver or Black                             |
| BT7032       | Large AV Accessory Shelf            | Designed for mounting to Ø50mm poles with BT7052 collars |
| BT8573       | Floor Stand for Large Flat Screens  | Twin Pole stand designed for screens up to 75" / 70kg    |
| BT8582       | Floor Stand for Medium Flat Screens | Designed for screens up to 55" / 40kg                    |

© 2018 B-Tech AV Mounts Corporation Ltd. All rights reserved.  
 The information in this specification sheet reflects the current technical specifications of B-Tech AV Mounts Corporation Ltd.  
 B-Tech AV Mounts Corporation Ltd. reserves the right to change the technical specifications without prior notice. This is not intended to be a contract.  
 B-Tech AV Mounts Corporation Ltd. is not responsible for any damage caused by improper installation or mounting on unsuitable structures. Any reproduction or use without permission is prohibited.  
 Specification sheet is strictly confidential. All rights reserved. B-Tech AV Mounts Corporation Ltd. 2018.

SS-V2-BT8583-100924