

BT8572

SINGLE POLE FLOOR STAND FOR LARGE FLAT SCREENS

BT8572 is a stylish display stand designed for use with a medium-large flat screen. The base features non-marking rubber feet, grab handles for easy handling, and a cover plate to hide the grab handles. Suitable for screens with VESA fixings up to 600x400, the screen can be easily mounted at any height on the 1.8 metre pole. Accessories such as shelves can also be added using a Ø2" collar.

SPECIFICATIONS

Recommended screen size	up to 55"
Max load	88lbs
VESA® fixings	up to 600 x 400 (with included adaptors)
Fixing patterns	up to 455 x 400
Dimensions	W : 31.5" x D : 23.6" x H : 71.8"

FEATURES

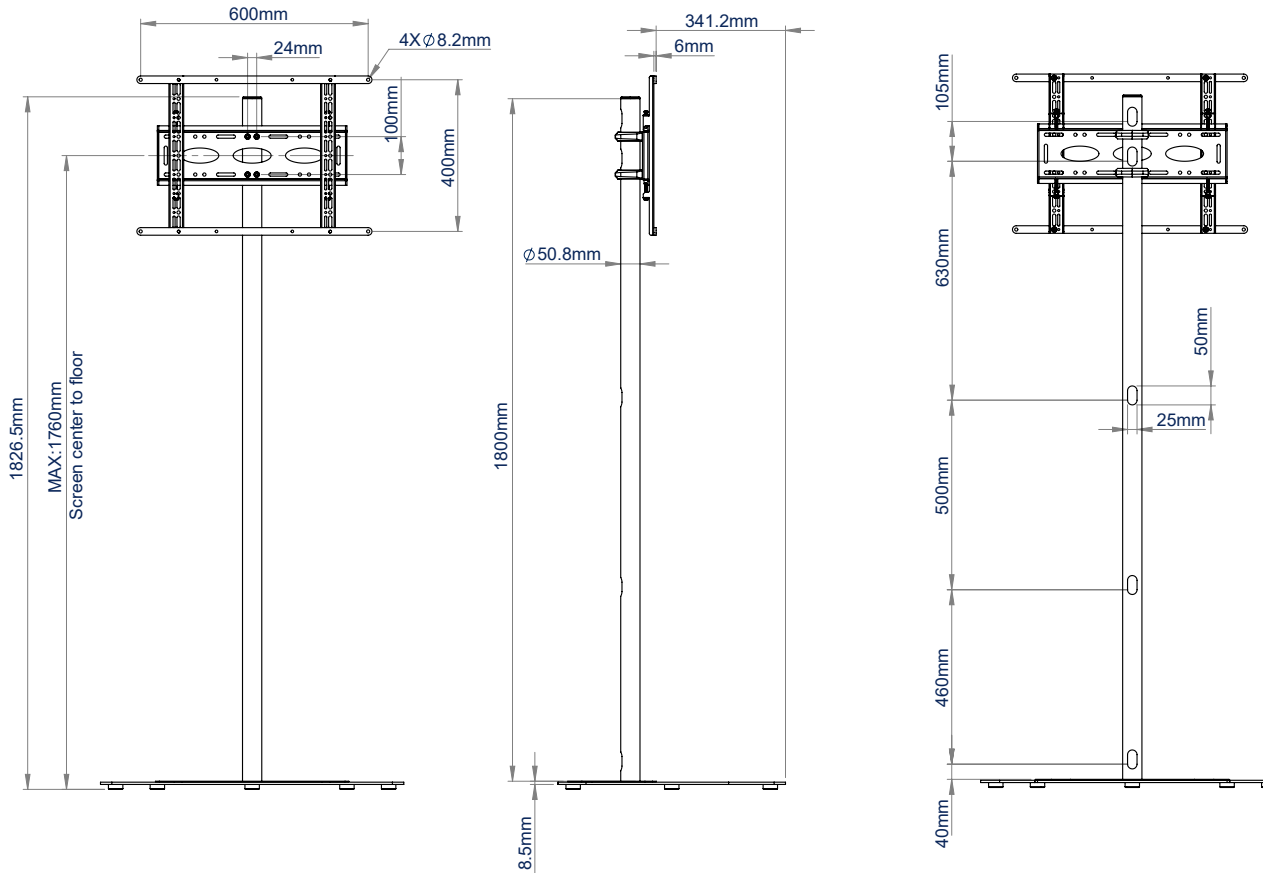
- 1** Supplied with non-marking rubber feet for increased stability
 - 2** Grab handles allow for easy handling
 - 3** Integrated cable management for tidy install
 - 4** Includes cover plate to hide grab handles once installed
- Suitable to mount screens in a landscape or portrait orientation
 - Heavy duty 6mm thick steel construction
 - Shelves and other accessories can be fitted to the poles using Ø2" accessory collars
 - Simple 'hook-on' installation
 - All mounting hardware



RECOMMENDED MAX SCREEN	MAX LOAD	MAX VESA	POST INSTALL ALIGNMENT	COLLAR COMPATIBLE	QR CODE
55" 140cm	88lbs	600 x 400			



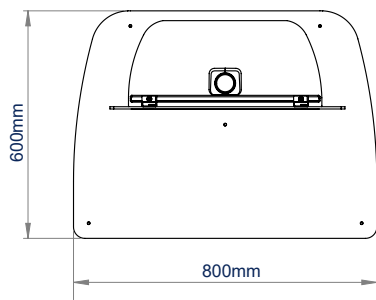
BT8572



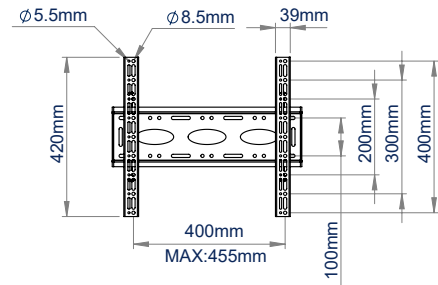
FRONT VIEW

SIDE VIEW

BACK VIEW



TOP VIEW



MOUNT

ORDERING INFORMATION

COLOR	ORDER REF	BARCODE
Black	BT8572/B	5019318305818

RELATED PRODUCTS

PRODUCT CODE	NAME	DESCRIPTION
BT7052	Ø2" Collar	Designed to attach AV accessories and shelves to poles
BT7033	300 x 300mm AV Accessory Shelf	Designed for mounting to a wall or across a wide range of B-Tech products
BT8571	Floor Stand	Designed for small to medium flat screens up to 47" / 55lbs
BT8582	Floor Stand	Designed for medium to large flat screens up to 55" / 88lbs

© 2018 B-Tech AV Mounts Corporation Ltd. All rights reserved.
 The information in this specification sheet reflects the current technical specifications of B-Tech AV Mounts Corporation Ltd.
 We reserve the right to change the technical or physical specifications without prior notice. The B-Tech name and the B-Tech logo are registered trademarks of B-Tech AV Mounts Corporation Ltd.
 B-Tech is not responsible for loss or damage caused by improper installation or mounting on unstable structures. Any reproduction or use without the permission of B-Tech AV Mounts Corporation Ltd. is prohibited.
 Specification sheet is strictly for reference. Contact your nearest B-Tech AV Mounts Corporation Ltd. office for more information.

SS-V2-BT8572-010725