

BT8521

UNIVERSAL TWIN SCREEN VC STAND

The BT8521 is a freestanding video conferencing solution for twin screens up to 46". The stand is supplied with a shelf for VC cameras which gives the user the flexibility to mount a camera either above or below the screens and integrated cable management keeps the finished installation neat and tidy. The low-profile base features include non-marking rubber feet, grab handles for easy handling, and a cover plate that hides the grab handles once installed.

SPECIFICATIONS

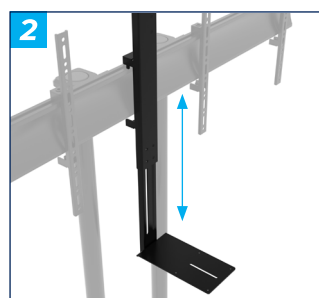
Recommended screen size	39" - 46"
Max load	44lbs per screen
VESA® compatibility	up to 400 (max vertical dimensions)
Dimensions	W : 59.3" H : 64" D : 23.6"
Color (poles Ø2")	Black

FEATURES

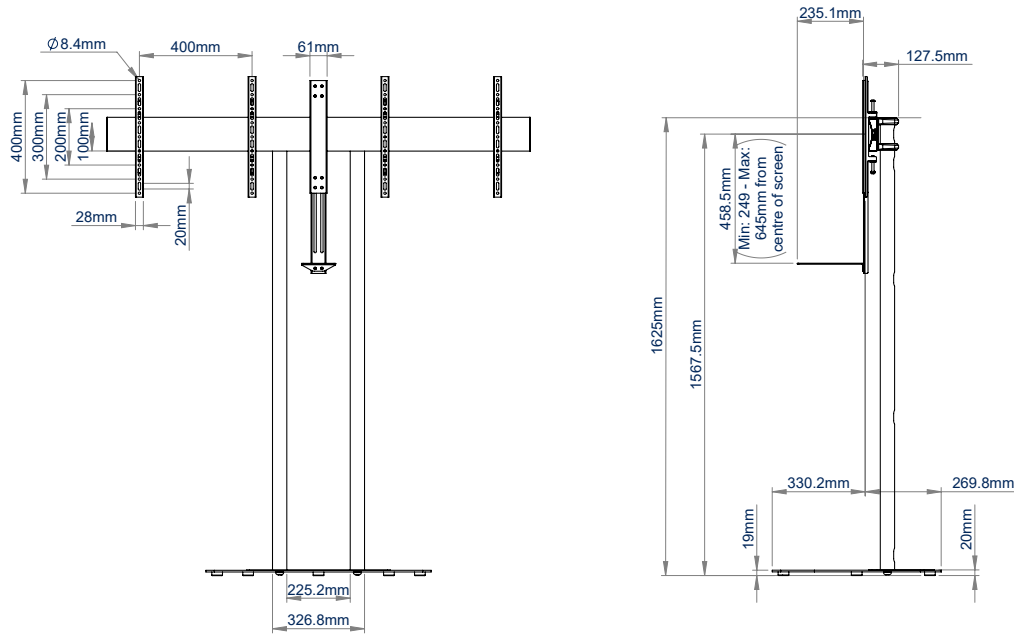
- 1 Simple 'hook-on' screen installation
 - 2 Includes adjustable VC camera shelf that can be fitted above or below the screens
 - 3 Heavy duty, low profile base with non-marking rubber feet and cover plate
 - 4 Collar compatible accessories such as Component Shelves and Video Bars can be fitted to the Ø2" poles
- Design suitable for mounting two medium sized screens side-by-side
 - Supplied with rubber feet to accommodate uneven floor surfaces
 - Includes grab handles for easy handling
 - Arms feature levelling screws to adjust the screen height
 - Integrated cable management for a neat and tidy installation
 - Safety screws prevent unauthorized screen removal



RECOMMENDED MAX SCREEN	MAX LOAD	MAX VESA	POST INSTALL ALIGNMENT	QR CODE
46" 116cm	44lbs	400	← →	

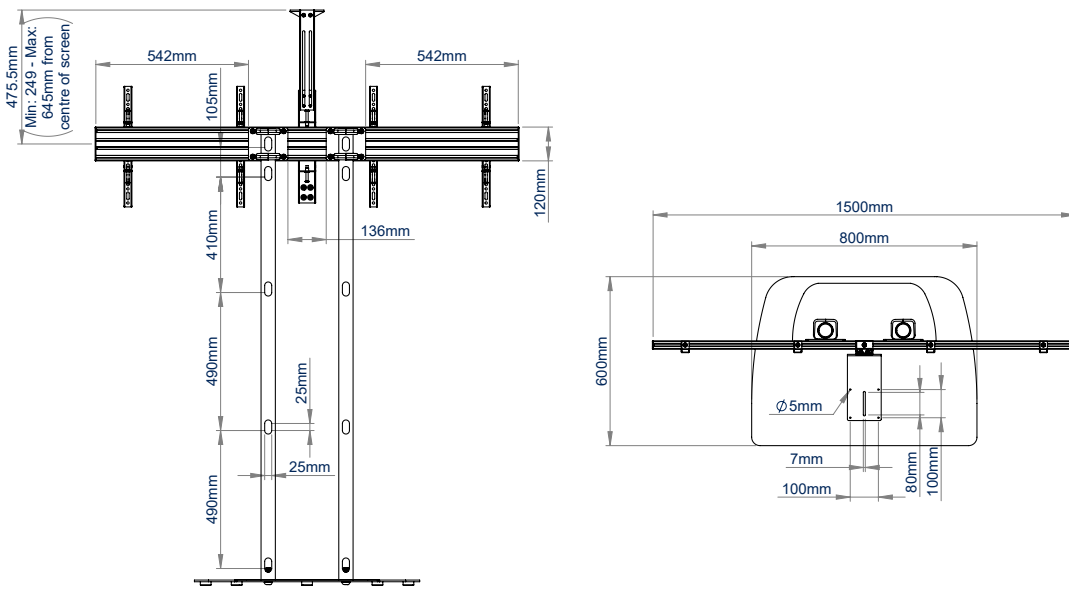


BT8521



FRONT VIEW

SIDE VIEW



REAR VIEW

TOP VIEW

ORDERING INFORMATION

COLOR	ORDER REF	BARCODE
Black	BT8521/BB	5019318089282

RELATED PRODUCTS

PRODUCT CODE	NAME	DESCRIPTION
BT7032	Large AV Accessory Shelf	Ideal for adding AV accessories to an installation or a wall
BTF845	Universal Twin Screen VC Stand	Designed for screens between 47" - 55"
BT8511	Universal Twin Screen VC Cart	Designed for screens between 39" - 46"
BT8415	Twin Screen VC Wall Mount	Designed for screens up to 46"

© 2022 B-Tech AV Mounts Co. Ltd. All rights reserved.
 The information in this specification sheet reflects the current technical specifications at the time of printing.
 We reserve the right to change the technical or physical specifications without prior notice. The B-Tech name and the B-Tech logo are registered trademarks of B-Tech AV Mounts Co. Ltd.
 B-Tech is not responsible for any loss or damage caused by improper installation or mounting on unsuitable structures. Any reproduction or reuse of information or specification of any part of this
 specification sheet is strictly prohibited unless prior written permission is obtained from B-Tech AV Mounts Co. Ltd. 10061E

SS-V2-BT8521-080725