

# BT8517

## XL TWIN SCREEN VC CART FOR SCREENS UP TO 75"

The BT8517 is a premium mobile mounting solution designed to mount two screens side by side, ideal for video conferencing applications. Non-marking braked casters allow the cart to be relocated easily and safely without marking floor surfaces and the integrated cable management hides cables for a smart installation in any environment. Interface arms feature level adjustment screws to help align the screens height.

### SPECIFICATIONS



Recommended screen size	<b>65" - 75"</b>
Max load	<b>220lbs</b> per screen
Fixing Patterns	up to <b>600 x 800</b>
Cart Dimensions	W: <b>96"</b> H: <b>79"</b> D: <b>37"</b>
VC Shelf Dimensions	W: <b>5"</b> H: <b>0.1"</b> D: <b>9"</b>
Color	<b>Black</b>

### FEATURES

- 1 Design suitable for mounting two 75" screens side by side
  - 2 Adjustable mounting arm can mount the camera shelf above or below the screens
  - 3 Integrated cable management for a smart installation
  - 4 Lockable non-marking 4" casters
- Interface arms include leveling screws to adjust the screen height
  - VC shelf fits most cameras with 1/4" thread with 4" x 4" fixing points
  - Safety screws prevent unauthorized screen removal
  - Alternative leveling feet also included
  - Simple 'hook-on' screen installation

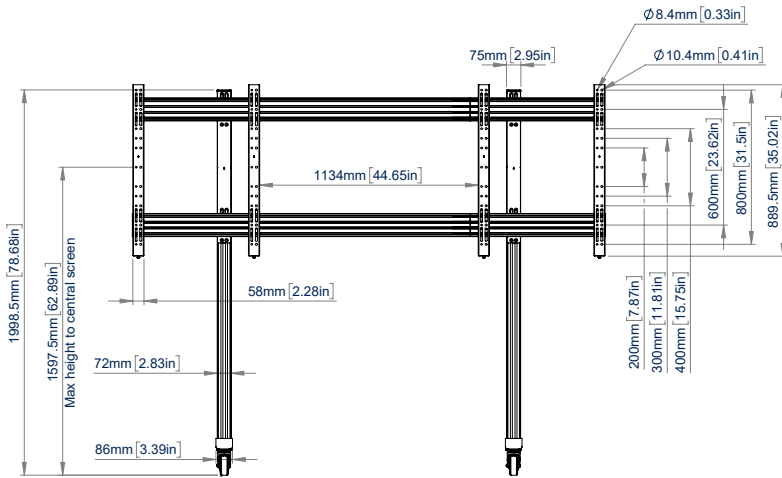


SYSTEM 

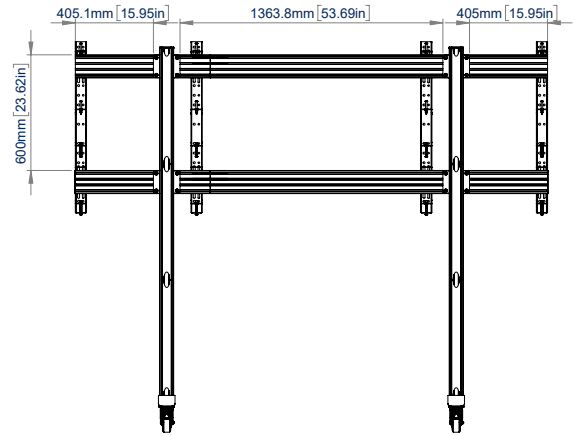
RECOMMENDED MAX SCREEN	MAX LOAD	MAX VESA	POST INSTALL ALIGNMENT	
75" 190cm	220lbs per screen	800		



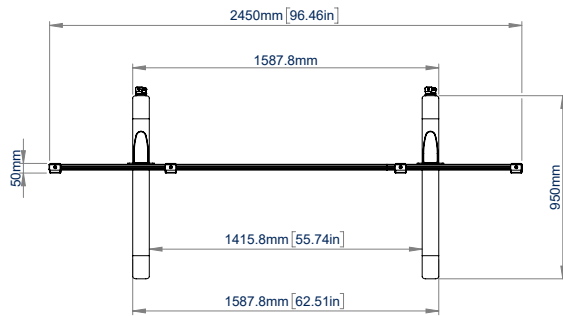
# BT8517



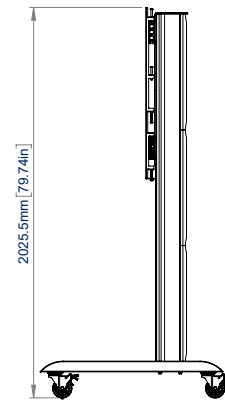
FRONT VIEW



REAR VIEW



TOP VIEW



SIDE VIEW

## ORDERING INFORMATION

COLOR	ORDER REF	BARCODE
Black	BT8517/B	5019318307157

## RELATED PRODUCTS

PRODUCT CODE	NAME	DESCRIPTION
BT7874	Mounting Plate for Logitech Videobars	Compatible with the included mounting arm
BT8416	Twin Screen VC Wall Mount	Designed for screens up to 65" and 70kg per screen
BT8516	Twin Screen VC Cart	Designed for screens up to 65" and 70kg per screen
BT8518	XXL Twin Screen VC Cart	Designed for screens up to 86" and 100kg per screen

© 2023 B-Tech. All rights reserved. B-Tech, the B-Tech logo, and the B-Tech name are registered trademarks of B-Tech International Design & Manufacturing Limited. All other trademarks are the property of their respective owners. The information in this specification is subject to change without notice. B-Tech reserves the right to change the specifications of its products without notice. The B-Tech name and logo are registered trademarks of B-Tech International Design & Manufacturing Limited. B-Tech is not responsible for any damage or loss of data caused by improper installation or use of its products. Any reproduction or use of this specification without the prior written permission of B-Tech International Design & Manufacturing Limited is strictly prohibited. SS-V2-BT8517-26062025-NA