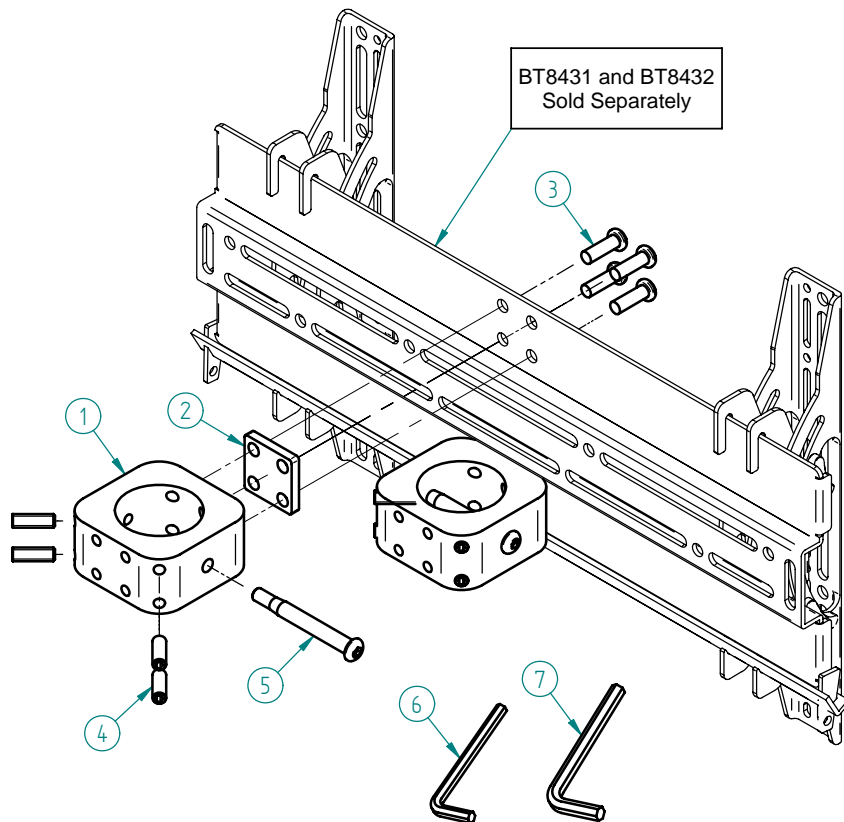




BT8435

50MM COLLAR KIT FOR BT8431 & BT8432

This kit is designed to mount the BT8431 and/or BT8432 to B-Tech 50mm (2 inch) Extension Poles.



PARTS LIST

No	PART NAME	QTY
1	50mm COLLAR	2
2	4MM SQUARE SPACER	4
3	M8 X 20 CROSS SCREW	16
4	M8 X 25 GRUB SCREW	8
5	M8 X 80 SAFETY BOLT	2
6	4mm ALLEN KEY (FOR PART 4)	1
7	5mm ALLEN KEY (FOR PART 5)	1

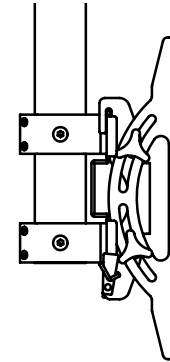
PLEASE KEEP THIS PARTS LIST FOR FUTURE REFERENCE

IMPORTANT

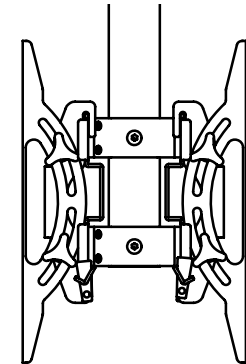
Ensure at least one safety bolt (Part 5) is in place before any AV equipment is fitted.

TYPICAL INSTALLATIONS

1. Single BT8431 or BT8432 mounted on a 50mm (2 inch) extension pole.



2. Back to back 50mm (2 inch) pole mounting for BT8431 and/or BT8432 in any combination.



To mount a BT8431 or BT8432 to a B-Tech 60mm extension pole use BT8436.

B-Tech International Ltd,
Long March, Daventry, Northants NN11 4NR, UK.
Tel: +44 (0)1327 300 787 Fax: +44 (0)1327 706 562
Email: info@b-tech-int.com

B-Tech PRO-AV bvba,
Brixtonlaan 32, Zaventem 1930, Brussels, Belgium.
Tel: +32 (0)2 720 92 71 Fax: +32 (0)2 725 42 15
Email: info@btechproav.com

B-Tech Audio Video Mounts,
Buffalo, NY 14215, USA.
Tel: (1)800 975 5812 Fax: (1)800 592 2876
Email: info@btechavmounts.com

B-Tech International (Hong Kong) Ltd,
23rd Floor, Manulife Tower, North Point, HK.
Tel: (+852) 2556 7337 Fax: (+852) 2556 7321
Email: info@b-tech-int.com.hk

www.btechavmounts.com