

BT8427

ADJUSTABLE DROP FLAT SCREEN CEILING MOUNT WITH TILT

Designed to ceiling mount screens up to 154lbs, the BT8427 features a push button adjustable drop of 22.5" - 38.3" in increments of 1" and 4 fixed tilt positions up to +20°. Levelling screws are included on the interface arms to finely adjust the screen height and locking screws help prevent unauthorised removal of the screen. Cover plates are supplied for a neat and tidy installation.

SPECIFICATIONS

Recommended Screen Size	up to 75"
Max load	154lbs
VESA® & non-VESA fixings	up to 468 x 400
VESA® compatibility (with included adaptors)	up to 600 x 400
Screen tilt	up to +20° (increments of 5°)
Ceiling drop	Min. 22.5" - Max. 38.3"
Colour option (mounting rail)	Black

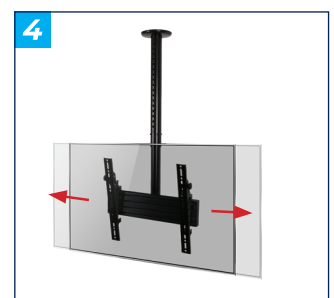
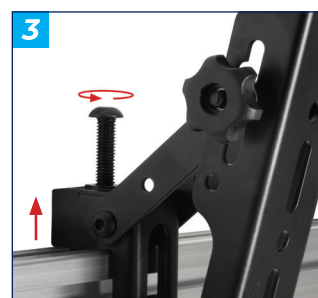
FEATURES

- 1** Integrated cable management
- 2** Interface arms tilt up to 20° (with a variable tilt and with increments of 5°)
- 3** Height adjustment screws for screen levelling
- 4** Post installation screen alignment for perfect positioning every time
 - Tool-less ceiling drop in increments of 1"
 - Lateral adjustment of screen once mounted
 - Suitable for landscape or portrait mounting
 - Security screws help prevent unauthorised removal of screens
 - Cover plate included for smart installation
 - Simple 'hook-on' installation with all mounting hardware included



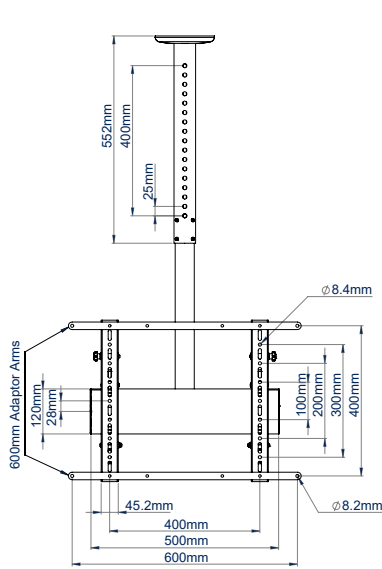
SYSTEM X

RECOMMENDED MAX SCREEN	MAX SCREEN WEIGHT	MAX VESA	POST INSTALL ALIGNMENT	HEIGHT ADJUSTMENT	TILT	
75" 190cm	110lbs	600 x 400			20°	

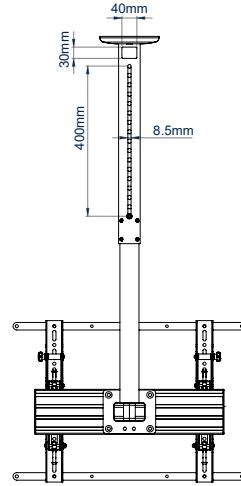


*From the ceiling to the center of the mount

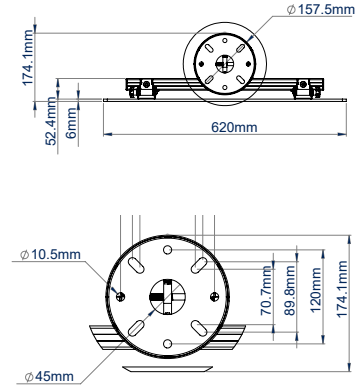
BT8427



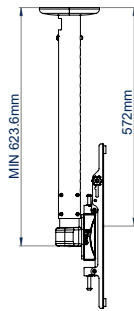
FRONT VIEW



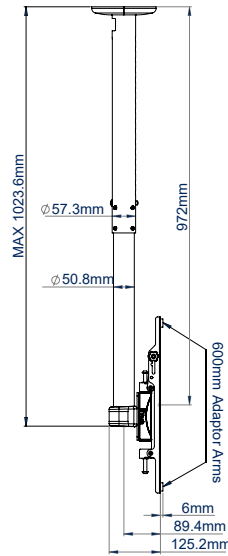
BACK VIEW



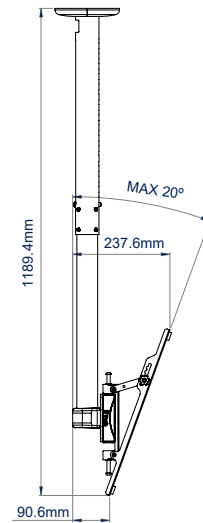
TOP VIEW



SIDE VIEW - MIN EXTENSION



SIDE VIEW - MAX EXTENSION



SIDE VIEW WITH TILT

ORDERING INFORMATION

COLOR	ORDER REF	BARCODE
Black	BT8427/B	5019318084454

RELATED PRODUCTS

PRODUCT CODE	NAME	DESCRIPTION
BT8424	Universal Flat Screen Ceiling Mount with Tilt	Designed for screens up to 65"
BT8426	Flat Screen Ceiling Mount with Adjustable Drop	Designed for screens up to 65"
BT8428	Back-to-Back Flat Screen Ceiling Mount with Tilt	Designed for screens up to 65"
BT8448	Extra-large Flat Screen Ceiling Mount	Designed for screens up to 120"

© 2015 B-Tech AV Mounts Corporation Ltd. All rights reserved.
 The information this specification sheet reflects the current technical specifications as of the time of printing.
 We reserve the right to change the technical or physical specifications without prior notice. The B-Tech name and the B-Tech logo are registered trademarks of B-Tech AV Mounts Corporation Ltd.
 B-Tech is not responsible for any loss or damage caused by improper installation or mounting on unstable structures. Any reproduction or use without permission is prohibited.
 Specification sheet is strictly confidential. All rights reserved. B-Tech AV Mounts Corporation Ltd. All rights reserved.
 SS-V2-BT8427-270625