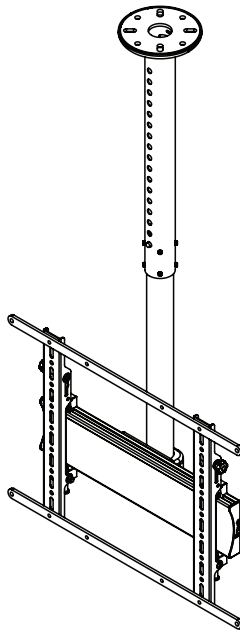






SYSTEM X

Adjustable Drop Flat Screen Ceiling Mount With Tilt

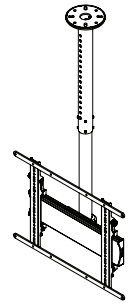
Installation Guide



- Recommended for screens up to: 75" (180cm)
- Max load: 70kg (154lbs)
- Suitable for screens with VESA® and non-VESA fixings up to 600 x 400mm
- Adjustable tilt: +20°
- Tool-less ceiling drop (to centre of screen):
Min. 572mm (22.5") - Max. 972mm (38.3")
- Simple 'hook-on' installation with all mounting hardware included

Recommended Max Screen	Max Load	Max VESA
75" 180cm	 70kg [154lbs]	600 x 400
Tilt	Post Install Alignment	Height Adjustment
 20°		

Installation Safety Notes	2
Parts List	4
Installation Instructions	6
Product Dimensions	14
B-Tech Contact Details	16



Installation Safety Instructions



Caution: This mount is intended for use only with the maximum weights indicated. Use with equipment heavier than the maximum indicated may result in instability causing possible injury.

Do not attempt to install this product until all instructions and warnings have been read and properly understood. *Please keep these instructions for future reference.*

Please check carefully to make sure there are no missing or defective parts - defective parts must never be used. B-Tech AV Mounts, its distributors and dealers are not liable or responsible for damage or injury caused by improper installation, improper use or failure to observe these safety instructions. In such cases, all guarantees will expire.

General

B-Tech AV Mounts recommends that a professional AV installer or other suitably qualified person install this product. Great care must always be taken during installation as most AV equipment is of a fragile nature, possibly heavy and easily damaged if dropped. If you do not fully understand the instructions or are not sure how to install this product safely, then please consult a professional for advice and/or to install this product for you. Failure to mount this product correctly may cause serious injury or death both during installation and at any time thereafter. Do not mount any AV equipment that exceeds the specific weight limit of the product you are installing. This weight limit will be clearly stated on each product and its packaging and will vary from product to product.

Product location

Please pay careful attention to where this product is located. Check load capacity of the ceiling prior to installation as some surfaces are not suitable for installation. Designed for indoor use, this mount is suitable for public or home installation. If located in a public or frequently populated area ensure that the product is out of the immediate reach of people. If any AV equipment is to be suspended over the likely path or location of people then great care should be taken to secure all parts of the installation from falling. When drilling holes it is essential to avoid contact with electrical cables and water or gas pipes contained within. Use of a good quality live wire detector and hidden object locator is therefore recommended. Only drill into structures when you are sure it is safe to do so.

Fixing hardware

It is highly recommended that all fixing screws be used where supplied and that the purpose of all other fixing hardware is fully understood. In some cases more AV equipment fixing hardware will be supplied to accommodate different models of equipment and set up configurations. The installer must be satisfied that any supplied fixing hardware is suitable for each specific installation. The fixing kit supplied with the product may not be suitable for all walls. If any fixing screws or included hardware are deemed not sufficient for a safe installation then please consult a professional or your local hardware store.

Hazard limitation

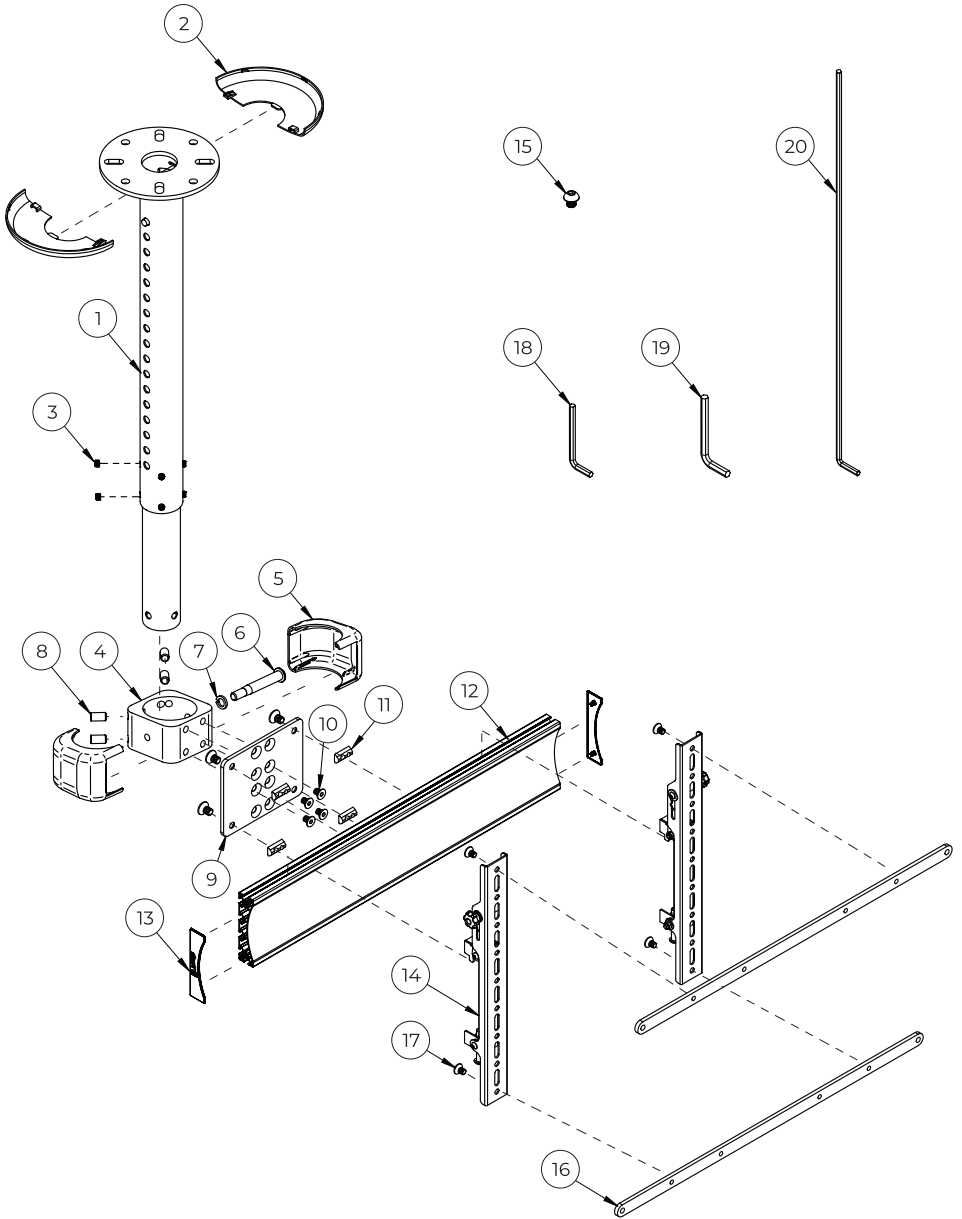
When routing cables take advantage of any built in cable management features that the product might provide and ensure that all cables are tidy and secure. Check to see that any moving aspect of the product can do so unhindered by any cabling. Some products have moving parts and the potential to cause injury through the crushing or trapping of fingers or other body parts. Particular attention to the nature of moving parts is required especially when assembling installing and adjusting during set up. Immediately after installation double-check that the work done is safe and secure. Double-check all necessary fixings are present and are of ample tightness. It is recommended that periodic inspections of the product and its fixing points are made as frequently as possible (no more than 6 months apart) to ensure that safety is maintained. If in doubt consult a professional AV installer or other suitably qualified person.

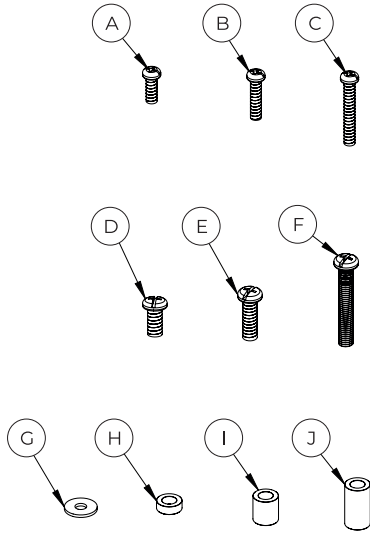
- CN B-Tech AV Mounts 建议本产品由专业AV安装人员或其他合格人员安装。B-Tech AV Mounts 及它的代理商、经销商不对由于不恰当的安装而造成的损失或伤害负责。本产品必须安装在合适的架构上，并仅用于不超过所标示的最大承重。
- CS Spoločnosť B-Tech AV Mounts doporučuje previesť instaláciu tohto produktu inštalátorom AV či inak spôsobilou osobou. Spoločnosť B-Tech AV Mounts a predajci distribútorov a predajci distribútorov nenesú odborného zodpovednosť za škody alebo zranenie z dôvodu nevhodnej inštalácie. Tento výrobok je nutné umiestniť do vhodnej konštrukcie a používať ju po uvedenej maximálnej výške.
- DE B-Tech AV Mounts empfiehlt, dass dieses Produkt durch einen qualifizierten AV-Techniker oder eine andere Person mit geeigneter Qualifikation installiert wird. B-Tech AV Mounts, ihre Distributoren und Händler können nicht für durch fehlerhafte Montage verursachte Beschädigung oder Verletzung haftbar bzw. verantwortlich gemacht werden. Dieses Produkt muss auf einem geeigneten Untergrund montiert werden und darf nur bis zum angegebenen Höchstgewicht verwendet werden.
- EN B-Tech AV Mounts recommends that this product be installed by a qualified AV technician or other suitably qualified person. B-Tech AV Mounts, its distributors and dealers are not liable or responsible for damage or injury caused by improper installation, improper use or failure to observe these safety instructions. In such cases, all guarantees will expire. This product must be mounted on a suitable surface and may only be used up to the specified maximum weight.
- ES B-Tech AV Mounts recomienda que un instalador de audio y video profesional u otra persona debidamente cualificada instalen este producto. B-Tech AV Mounts, sus distribuidores y concesionarios no se hacen cargo ni se responsabilizan de ningún daño o lesión provocados por una instalación inapropiada. Este producto se debe montar en una estructura adecuada y se debe utilizar soportando solamente hasta el peso máximo indicado.
- FR B-Tech AV Mounts recommande de confier l'installation de ce produit à un installateur AV professionnel ou à une autre personne dûment qualifiée. B-Tech AV Mounts, ses distributeurs et ses revendeurs ne sauraient être tenus responsables de tout dégât ou de toute blessure résultant d'une installation incorrecte. Ce produit doit être monté sur un support approprié et utilisé dans la limite du poids maximum indiqué.
- IT B-Tech AV Mounts consiglia di affidare l'installazione di questo prodotto a un installatore specializzato o ad altra persona adeguatamente qualificata. B-Tech AV Mounts, i suoi distributori e rivenditori non accettano alcuna responsabilità nei riguardi di eventuali danni o infortuni causati da un'errata installazione. Questo prodotto deve essere fissato a una struttura idonea e utilizzato unicamente sino al peso massimo indicato.
- JP B-Tech AV Mounts はAV設置の専門家または適合した知識を備えた人が製品を設置することを推奨します。B-Tech AV Mountsと販売店、取引先はこうした安全指針に従わない場合に随伴される製品の損傷や傷害に対する責任を負いません。場合によって製品が設置されるに適していないところもあるので設置位置に特別な注意を傾けてください。この製品の位置に注意を傾けて設置に適していない壁があるかを確認してください。指定した重さ制限を超過するAV装備を装着しないでください。
- KR B-Tech AV Mounts 는 AV 설치 전문가 또는 적합한 지식을 갖춘 사람이 제품을 설치하도록 권장합니다. B-Tech AV Mounts 와 판매점, 거래처는 이러한 안전 지침을 따르지 않을 경우 수반될 제품의 손상이나 상해에 대한 책임을 지지 않습니다. 경우에 따라 제품이 설치되기에 적합하지 않은 곳들도 있으므로 설치 위치에 특별한 주의를 기울여 주시기 바랍니다. 제품의 설치 위치에 주의를 기울여 확인하십시오. 지정된 무게 제한을 초과하는 AV 장비를 장착하지 마십시오.
- NL B-Tech AV Mounts adviseert om dit product te laten installeren door een professionele AV-instalateur of andere hiervoor gekwalificeerde persoon. B-Tech AV Mounts, haar distributeurs en dealers zijn niet aansprakelijk of verantwoordelijk voor schade of letsel die is veroorzaakt door onoordeelkundige installatie. Dit product moet worden gemonteerd aan een geschikte constructie, waarbij het aangegeven maximum gewicht niet mag worden overschreden.
- PL Firma B-Tech AV Mounts zaleca, aby ten produkt był instalowany przez profesjonalnych instalatorów AV lub inny odpowiednio przeszkolony personel. Firma B-Tech AV Mounts, jej dystrybutorzy i dealerzy nie ponoszą odpowiedzialności za uszkodzenia lub obrażenia ciała powstałe w wyniku nieprawidłowej instalacji. Niniejszy produkt musi być amontowany na odpowiedniej powierzchni, a podczas użytkowania nie wolno przekraczać podanego maksymalnego obciążenia.
- PT A B-Tech AV Mounts recomenda que a instalação deste produto seja efectuada por um instalador de AV instalador de AV profissional ou outra pessoa devidamente habilitada. A B-Tech AV Mounts e os seus distribuidores e concessionários não são responsáveis por danos ou lesões causados por uma instalação incorrecta. Este produto tem de ser montado numa estrutura adequada e utilizado somente até ao peso máximo indicado.
- RU Компания B-Tech AV Mounts рекомендует, чтобы установка данного изделия производилась инженером по установке аудио-видеотехники или другим специалистом с соответствующей квалификацией. Компания B-Tech AV Mounts ее дистрибьюторы и дилеры не несут ответственности за повреждения или травмы, полученные в результате неправильной установки.

توصي بي-تلك للتجارة الدولية المحدودة بأن شخص محترف في تركيب ال AV أو شخص مؤهل تأهيلا مناسباً لتركيب هذا المنتج. بي-تلك للتجارة الدولية، موزع عليها والتجار ليست عرضة أو مسؤولة عن الأضرار أو الإصابات الناجمة عن تركيب غير سليم، والاستخدام غير السليم أو عدم مراعاة هذه التعليمات السلامة. يجب أن يتم تركيب هذا المنتج في بنية مناسبة ويجب استخدام فقط لدعم الحد الأقصى للوزن المشار إليه.

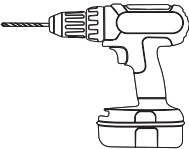




BT8427 Parts List

Please keep this for future reference





Installation Tools Required

<p>Drill 10mm (7/16") masonry bit or 6mm (1/4") wood bit</p> 	<p>Pencil</p> 	<p>Screwdriver</p> 
<p>Level</p> 	<p>Stud Finder (Optional)</p> 	

Item	Description	Qty
1	Adjustable Drop Ceiling Plate	1
2	Celing Plate Cover	2
3	M8 x 8mm Grub Screw	8
4	Collar	1
5	Collar Cover	2
6	M8 x 65mm Hex Socket Screw	1
7	M8 Spring Washer	1
8	M8 x 15mm Grub Screw	4
9	Collar Fixing Plate	1
10	M8 x 12mm CSK Screw	10
11	M8 Sliding Nut	4
12	Mounting Rail	1
13	Rail End Cap	2
14	Interace Arm	2
15	M6 x 8mm Hex Screw	2
16	600mm Adaptor Arms	2
17	M8 x 12mm Screw	4
18	4AF Hex Key	1
19	5AF Hex Key	1
20	4AF Long Hex Key	1
Screen Fixings		
A	M6 x 16mm Screw	4
B	M6 x 25mm Screw	4
C	M6 x 40mm Screw	4
D	M8 x 16mm Screw	4
E	M8 x 25mm Screw	4
F	M8 x 50mm Screw	4
G	M6 Washer	4
H	5mm Spacer	4
I	15mm Spacer	4
J	25mm Spacer	4

Suitable for loads up to 70kg (154lbs)

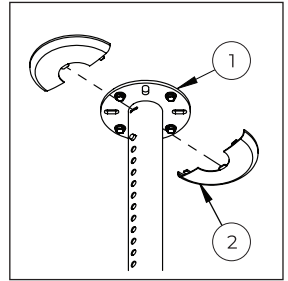
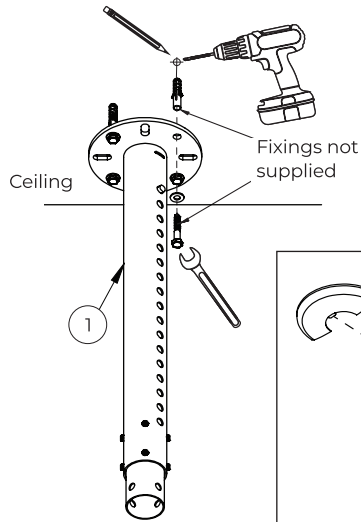
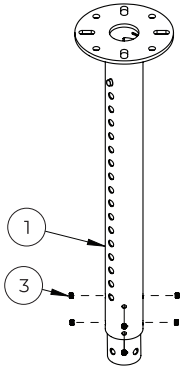
Installation Instructions

1. Attach Mount To Ceiling

- i. Insert *item 3* into *item 1*.

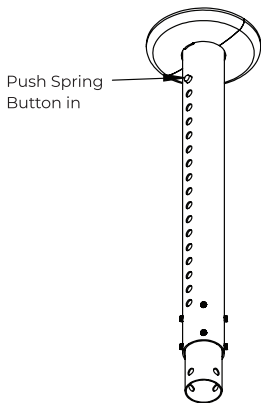
Note: Do not tighten until the pole extension has been set.

- ii. Fix *item 1* to the ceiling using suitable fixings (*not supplied*).
- iii. Attach *item 2* to *item 1*.

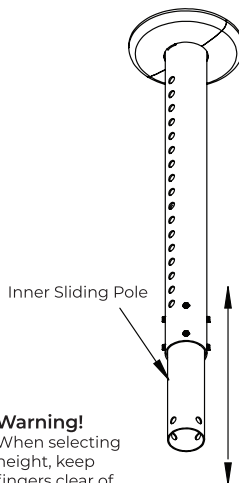


2. Adjust Ceiling Drop To Desired Height

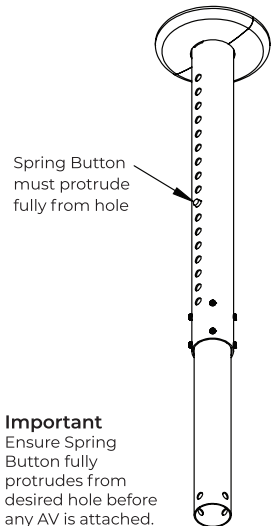
- i. Push spring button to release height adjustment.
- ii. Move inner sliding pole to desired ceiling drop.
- iii. When desired ceiling drop is reached, ensure spring button protrudes from hole.



Warning!
Once button is pushed in, the inner pole will fall to maximum extension if not held.



Warning!
When selecting height, keep fingers clear of safety slot on reverse of pole.

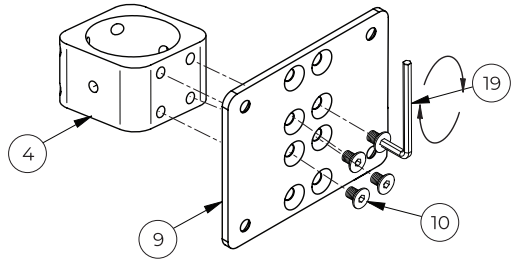
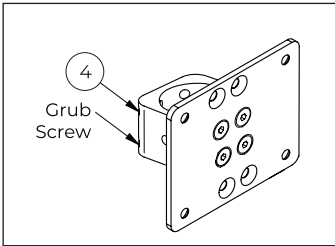


Important
Ensure Spring Button fully protrudes from desired hole before any AV is attached.

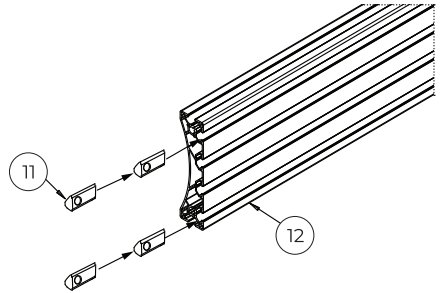
3. Assemble Collar Onto Mounting Rail

- i. Fix item 4 onto the back of item 9 using item 10.

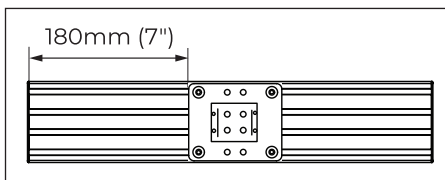
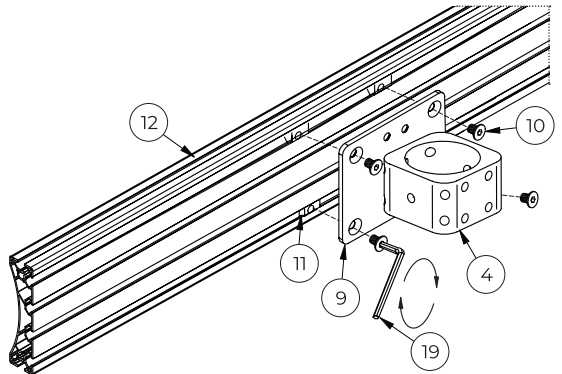
Note: Ensure the grub screws (item 8) are on the back of item 4.



- ii. Insert item 11 through the top and bottom channels on the back of item 12.

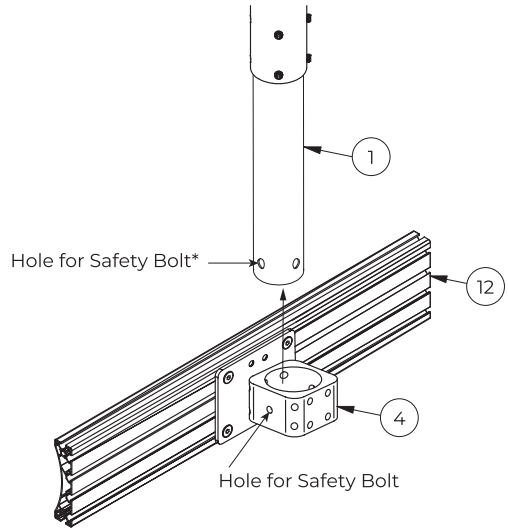
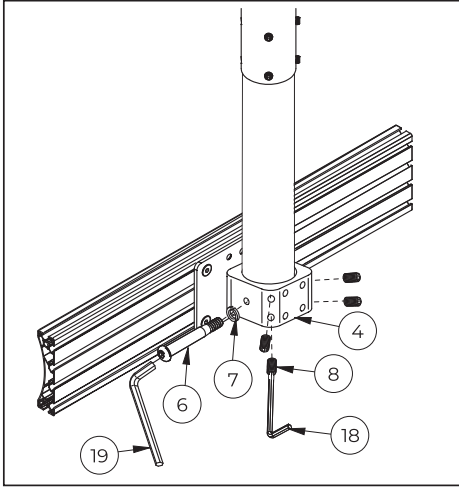


- iii. Attach item 9 centrally to item 12 using items 10 & 11.

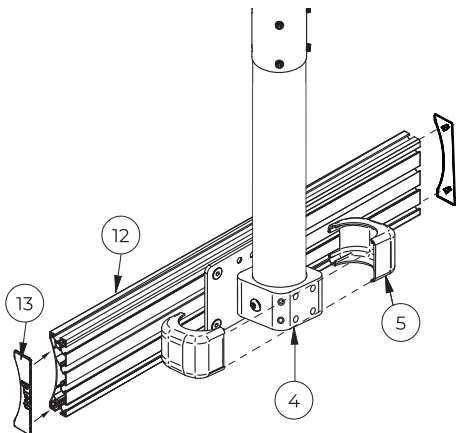


4. Fit Mounting Rail To Pole

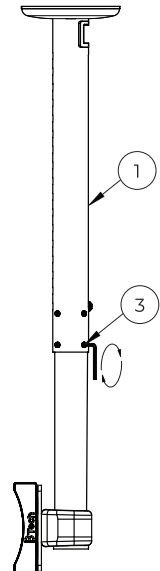
- i. Slide *item 4* onto *item 7* lining up the safety bolt holes on the collar and bottom of the pole.
- ii. Fasten *item 8* on *item 4* and insert *item 6* through *items 4 & 7*, securing the rail to the ceiling mount.



- iii. Attach *item 5* onto *item 4*.
- iv. Fit *item 13* to the ends of *item 12*.



- v. Tighten *item 3* on *item 1* to ensure the inner sliding pole is fixed securely in position.

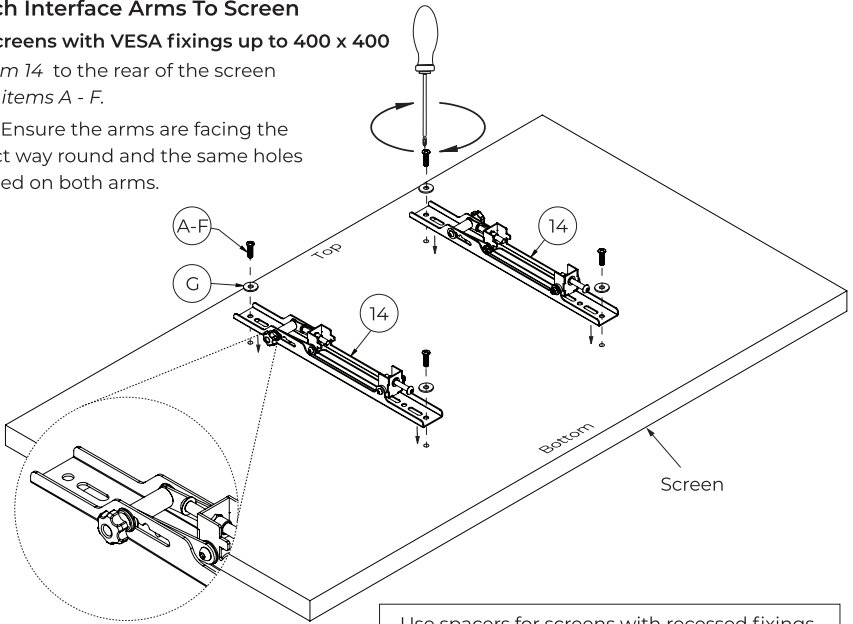


5. Attach Interface Arms To Screen

For Screens with VESA fixings up to 400 x 400

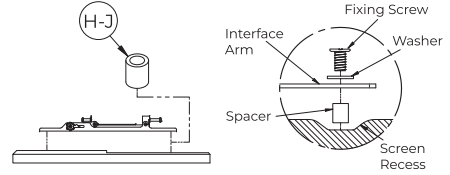
Fix *item 14* to the rear of the screen using *items A - F*.

Note: Ensure the arms are facing the correct way round and the same holes are used on both arms.



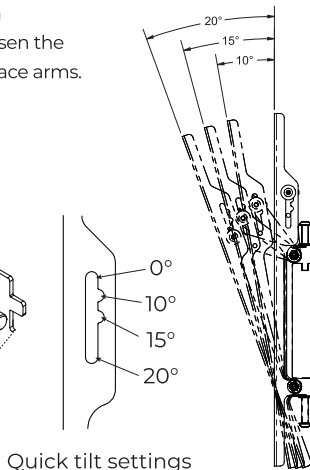
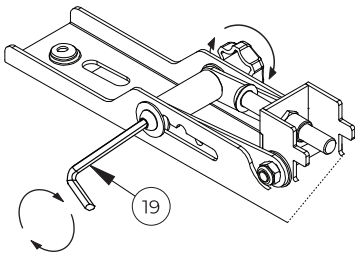
Important: Ensure thumbwheels are facing outwards

Use spacers for screens with recessed fixings



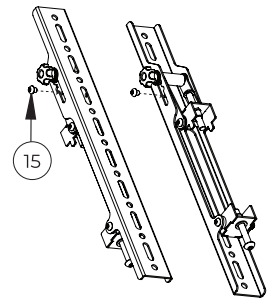
Note: Set tilt before mounting screen

For tilt adjustment, use *item 19* to loosen the screw and thumbwheel on the interface arms. Re-tighten screw to fix tilt angle.



Quick tilt settings

2x *item 15* are required for a flat 0° display.



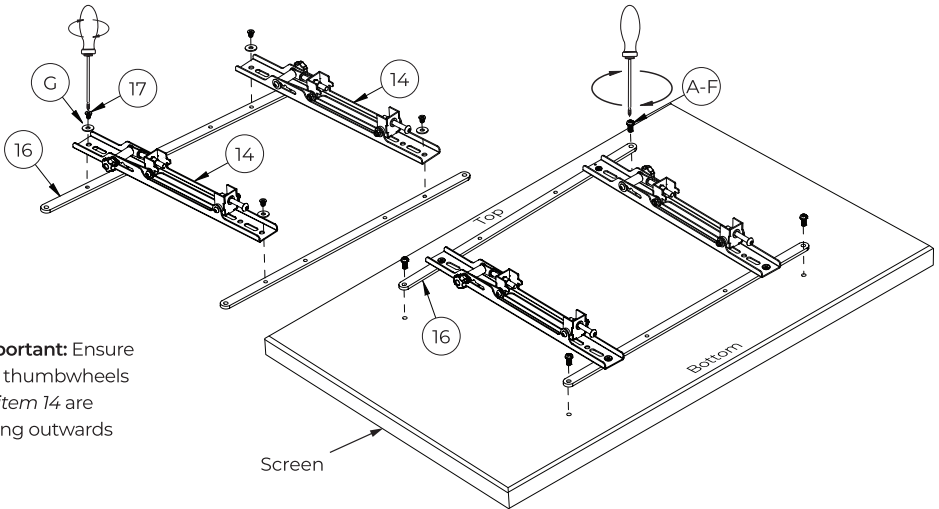
Attach Adaptor Arms To Interface Arms

For Screens with VESA 600 x 400 Fixings

- i. Fix item 16 to item 14 using item 17.
- ii. Fix item 16 to the rear of the screen using items A - F.

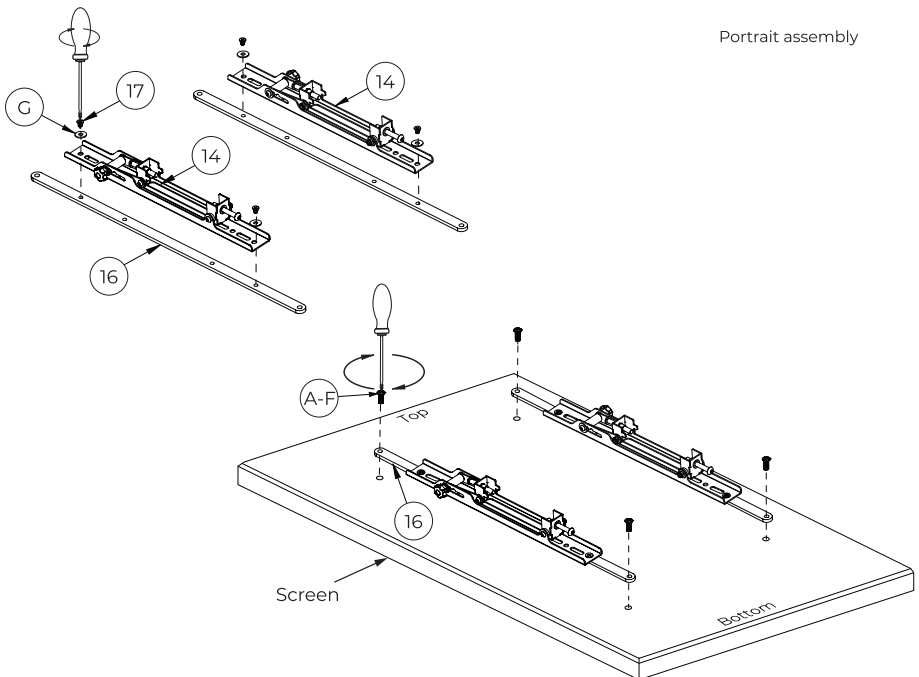
Note: Ensure the arms are facing the correct way round and the same holes are used on both arms.

Landscape assembly



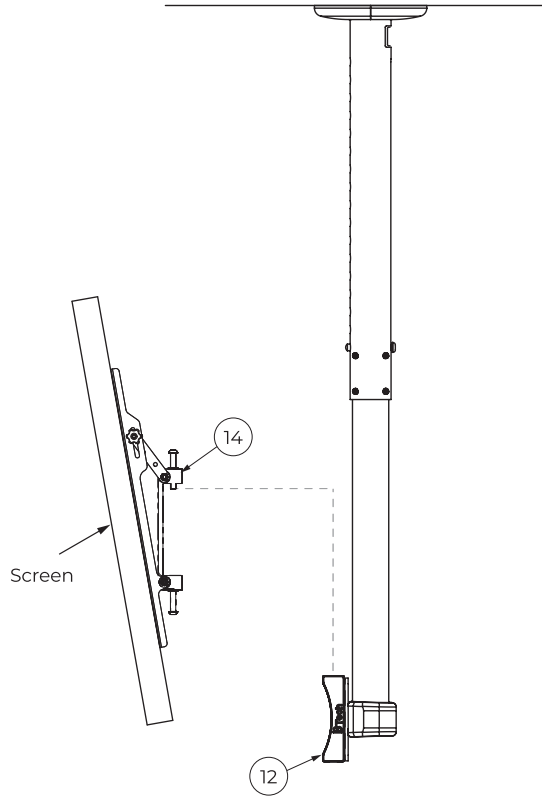
Important: Ensure the thumbwheels on item 14 are facing outwards

Portrait assembly

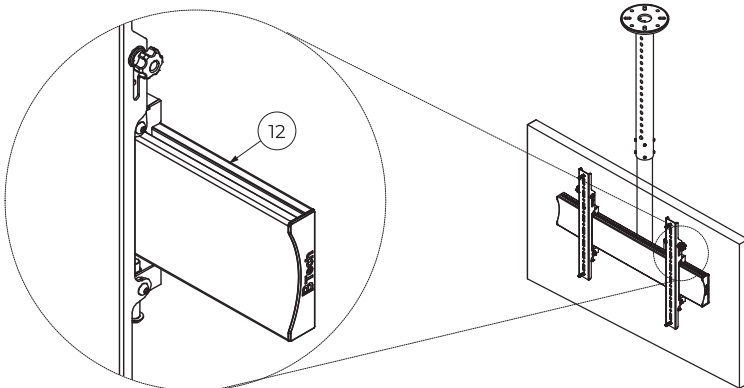


6. Mount Screen Onto Rail

Using item 14 hook screen onto item 12.
(This may require 2 people)

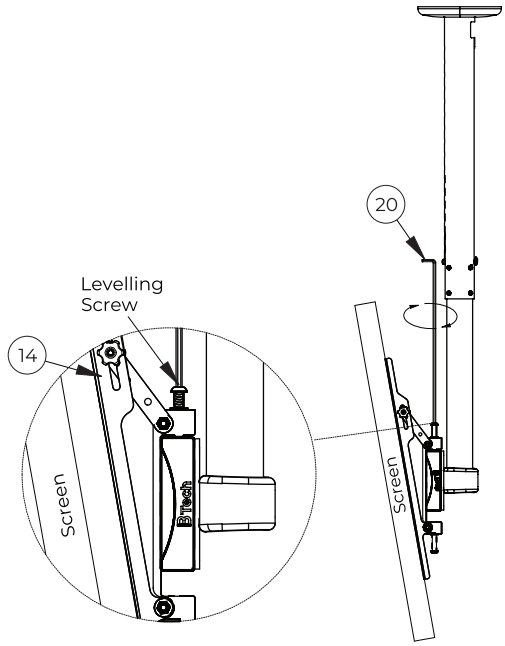


Note: Ensure the arms hook securely into the top channel of the mounting rail



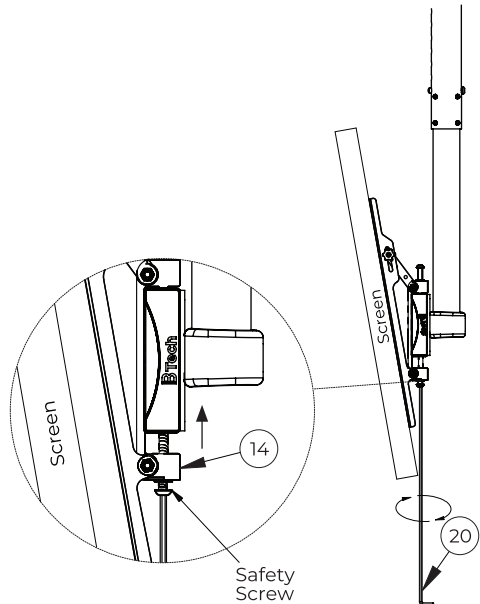
Optional Screen Levelling

If necessary, adjust the Levelling Screw on top of *item 14* to level the screen.

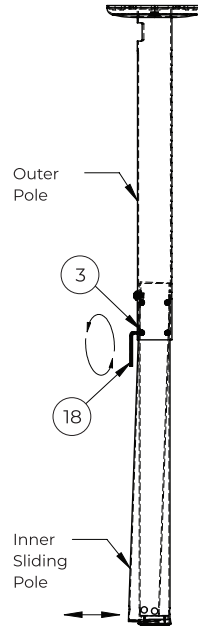


7. Secure Screen To Mount

Tighten the Safety Screws on the bottom of *item 14* to secure the screen to the rail.

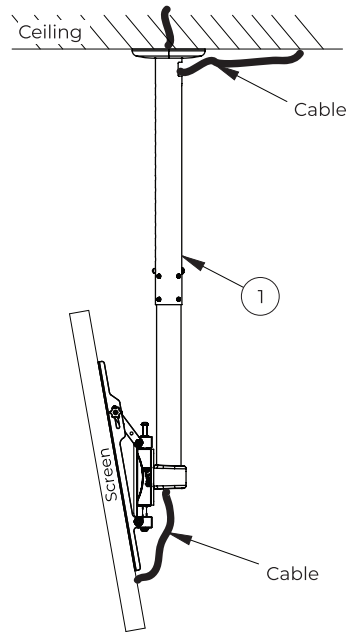


Note: If required the angle of the Inner sliding pole can be straightened by adjusting *item 3* on the Outer pole with *item 18*.



Cable Management

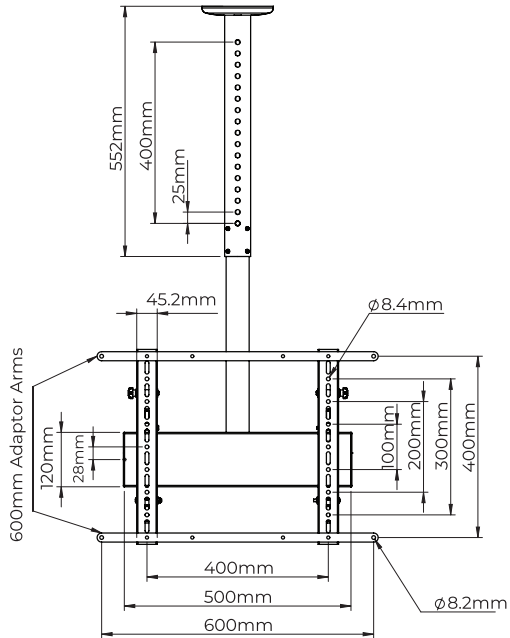
Route any cables through the bottom of the pole and out either through the top or side of *item 1*.



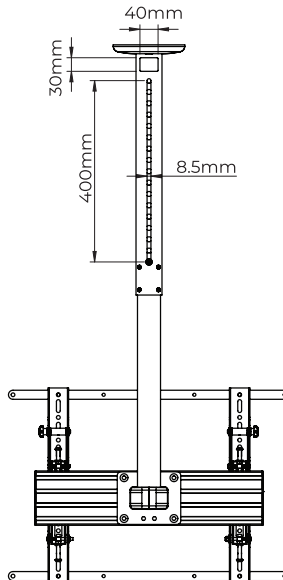
BT8427 Dimensions

Please keep this for future reference

Front View



Rear View



These instructions are intended as a guide only and B-Tech accepts no liability for the accuracy of the information contained in this document.

BT8427

Contact: info@btechavmounts.com

©2025 B-Tech AV Mounts Corporation Ltd. All rights reserved.

B-Tech AV Mounts is a division of B-Tech AV Mounts Corporation Ltd.

B-Tech AV Mounts and the B-Tech logo are registered trademarks.

All B-Tech images and symbols are exclusive property of B-Tech AV Mounts Corporation Ltd.

All other brands and product names are trademarks of their respective owners.

Any reproduction, retransmission or republication of any part of this manual is strictly prohibited,

unless prior written permission has been granted by B-Tech AV Mounts Corporation Ltd.

Photographs are for illustrative purposes only. E&OE

AMA-BT8427-V3.1-0725-BTECH Made in the P.R.C.

