

BT8426

ADJUSTABLE DROP FLAT SCREEN CEILING MOUNT WITH TILT

Designed to ceiling mount screens up to 50kg, the BT8426 features a tool-less adjustable drop of 625mm - 950mm in increments of 25mm. The mount uses B-Tech's unique 'Torsion-Tilt' mechanism for an easy +/-15° tilt. Levelling screws are included on the interface arms to finely adjust the screen height and locking screws help prevent unauthorised removal of the screen. Ceiling cover plates are supplied for a neat and tidy installation.

SPECIFICATIONS

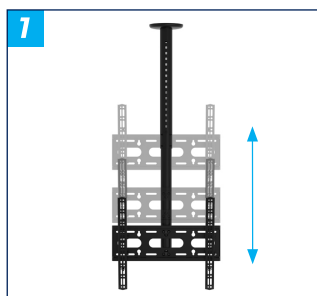
Recommended Screen Size	up to 65"
Max load	50kg
VESA® compatibility (as standard)	up to 468 x 400mm
VESA® compatibility (with included adaptors)	up to 600 x 400
Tilt adjustment	+ / - 15°
Ceiling drop	Min. 625mm - Max. 950mm*
Colour	Black

FEATURES

- 1 Quick and easy 'push button' height adjustment
- 2 Levelling screws allow adjustment of the screen height once mounted
- 3 Locking screws provide a secure installation
- 4 Can mount screen in a landscape or portrait orientation
 - Unique 'Torsion-tilt' mechanism for tool-less tilt adjustment
 - Tool-less adjustable ceiling drop in increments of 25mm
 - Lateral adjustment of screen once mounted
 - Integrated cable management
 - Cover plate included for a smart installation
 - Simple 'hook-on' installation with all mounting hardware included

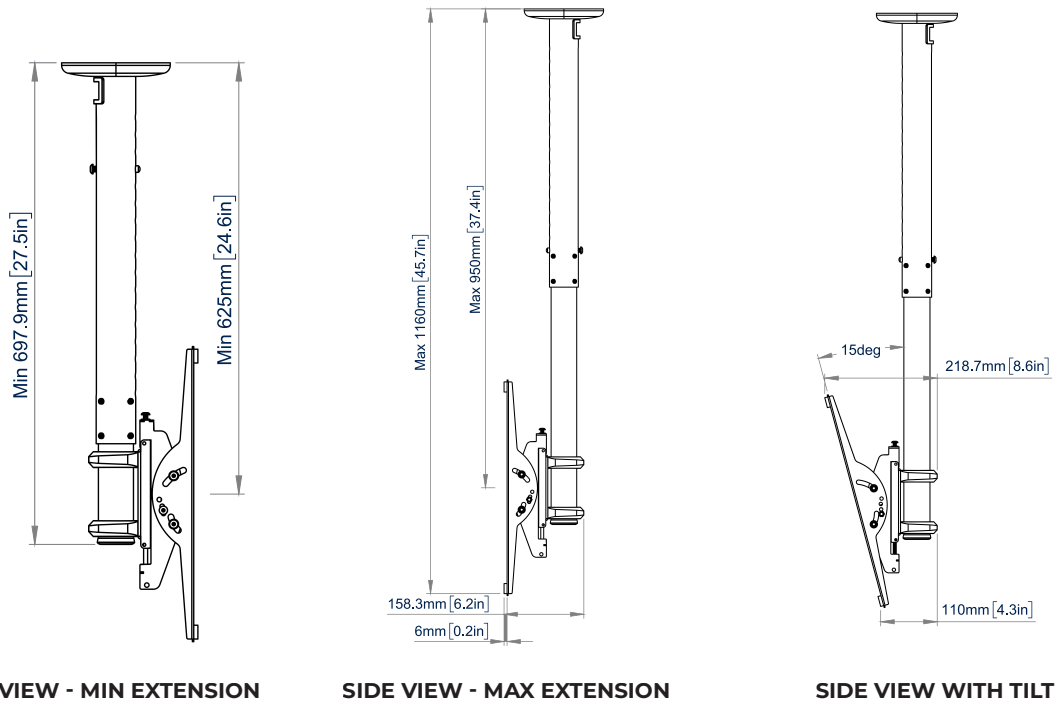
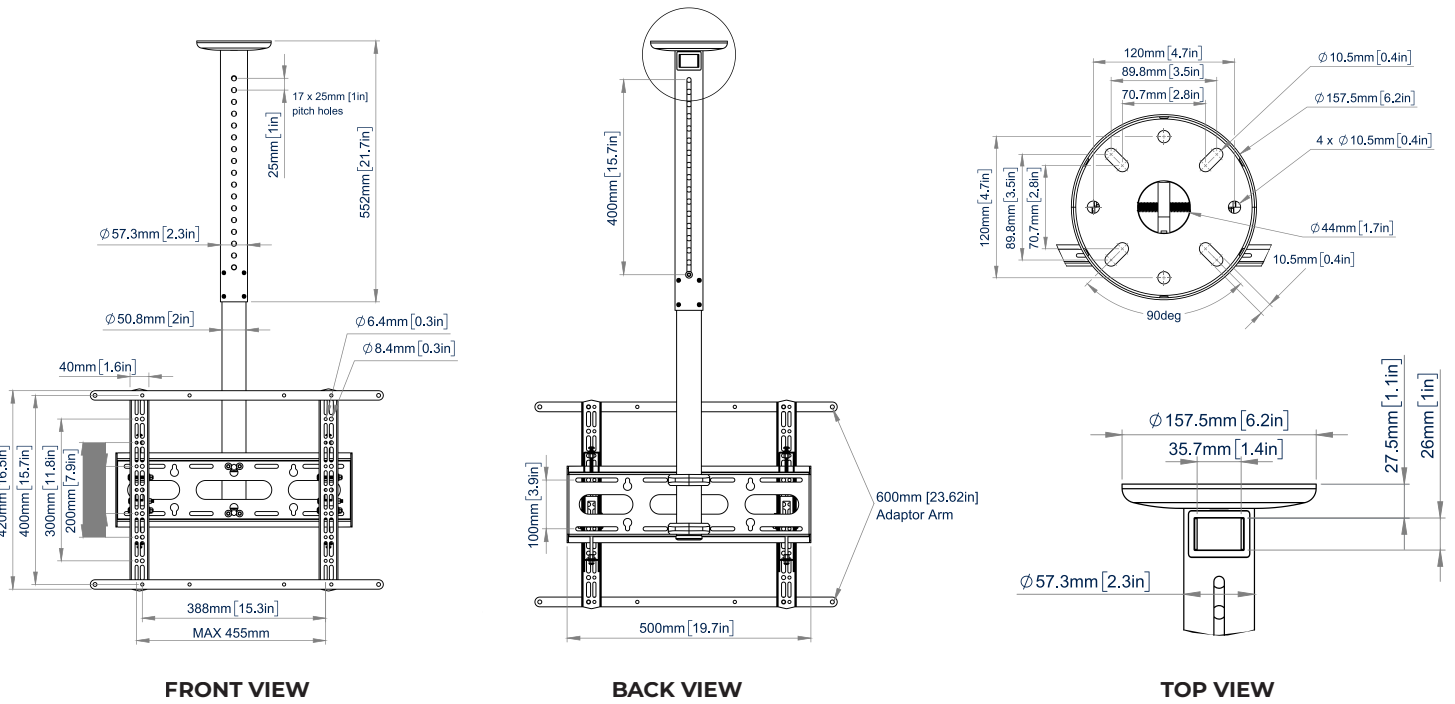


RECOMMENDED MAX SCREEN	MAX SCREEN WEIGHT	MAX VESA	POST INSTALL ALIGNMENT	HEIGHT ADJUSTMENT	TILT	QR CODE
65" 165cm	50kg	600 x 400			15° 15°	



*From the ceiling to the centre of the mount

BT8426



ORDERING INFORMATION

COLOUR	ORDER REF	EAN
Black	BT8426/B	5019318084713

RELATED PRODUCTS

PRODUCT CODE	NAME	DESCRIPTION
BT8424	Universal Flat Screen Ceiling Mount with Tilt	Designed for screens up to 65"
BT8427	Flat Screen Ceiling Mount with Adjustable Drop	Designed for screens up to 75"
BT8428	Back-to-Back Flat Screen Ceiling Mount with Tilt	Designed for screens up to 65"
BT8448	Extra-large Flat Screen Ceiling Mount	Designed for screens up to 120"

© 2018 B-Tech AV Mounts Corporation Ltd. All rights reserved.
 The information this specification sheet reflects the current technical specifications at the time of printing.
 We reserve the right to change the technical or physical specifications without prior notice. The B-Tech name and the B-Tech logo are registered trademarks of B-Tech AV Mounts Corporation Ltd.
 B-Tech is not responsible for any damage caused by improper installation or mounting on unstable structures. Any reproduction or use without permission is prohibited.
 Specification sheet is strictly for informational purposes and does not constitute an offer or any other form of financial or legal advice.
 SS-V2-BT8426-05092024