



FLAT PANEL WALL MOUNT WITH ARTICULATED ARM

THIS PACK CONTAINS 1 WALL MOUNT + 1 FLAT PANEL INTERFACE KIT

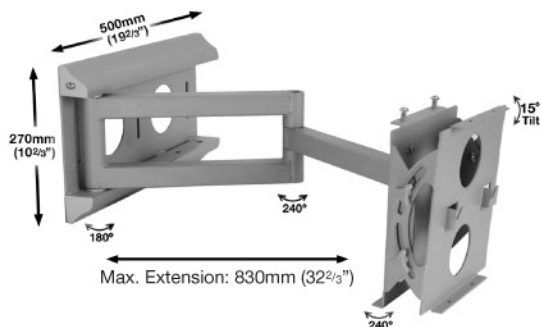
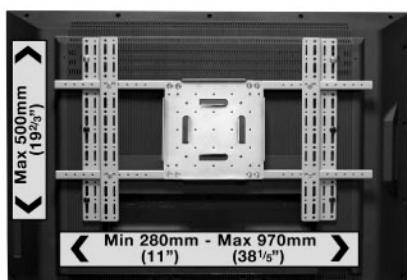
VESA MOUNTING PATTERNS

200 x 200mm, 200 x 100mm
100 x 100mm, 75 x 75mm



FLAT SCREEN INTERFACE DIMENSIONS

Dimensions indicate flat panel mounting centres.
Not overall size of bracket



*MOUNTING HARDWARE NOT INCLUDED -
PROFESSIONAL INSTALLATION ONLY

Important Safety Instructions

Read first

Do not attempt to install this product until all instructions and warnings have been read and properly understood. Please keep these instructions for future reference.

B-Tech International Limited, its distributors and dealers are not liable or responsible for damage or injury caused by improper installation, improper use or failure to observe these safety instructions. In such cases, all guarantees will expire.

General

B-Tech International Ltd. recommends that a professional AV installer or other suitably qualified person install this product. Great care must always be taken during installation as most AV equipment is of a fragile nature, possibly heavy and easily damaged if dropped. If you do not fully understand the instructions or are not sure how to install this product safely, then please consult a professional for advice and/or to install this product for you. Failure to mount this product correctly may cause serious injury or death both during installation and at any time thereafter. Do not mount any AV equipment that exceeds the specific weight limit of the product you are installing. This weight limit will be clearly stated on each product and its packaging and will vary from product to product.

Product Location

Please pay careful attention to where this product is located. Some ceilings, walls and floors are not suitable for installation. If located in a public or frequently populated area ensure that the product is out of the immediate reach of people. If any AV equipment is to be suspended over the likely path or location of people then great care should be taken to secure all parts of the installation from falling. If you install this product on drywall it must be securely fixed to a wooden stud, concrete block or other permanent structure behind the drywall board. Installing on drywall boards alone will not support the weight of most AV equipment. When drilling holes in ceilings, walls and floors it is essential to avoid contact with electrical cables and water or gas pipes contained within. Use of a good quality live wire detector and hidden object locator is therefore recommended. Only drill into structures when you are sure it is safe to do so.

Fixing Hardware

It is highly recommended that all ceiling, wall and floor fixing screws be used where supplied and that the purpose of all other fixing hardware is fully understood. In some cases more AV equipment fixing hardware will be supplied to accommodate different models of equipment and set up configurations. The installer must be satisfied that any supplied fixing hardware is suitable for each specific installation. If any fixing screws or included hardware are deemed not sufficient for a safe installation then please consult a professional or your local hardware store.

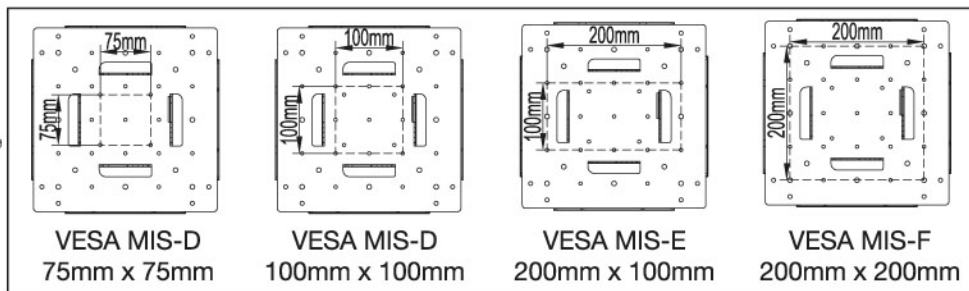
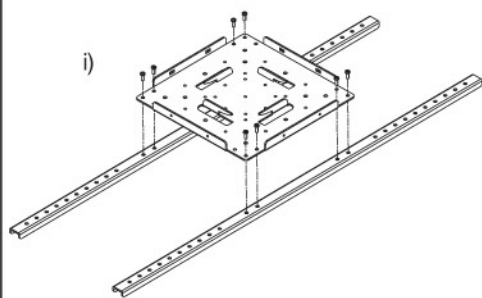
Hazard Limitation

When routing cables take advantage of any built in cable management features that the product might provide and ensure that all cables are tidy and secure. Check to see that any moving aspect of the product can do so unhindered by any cabling. Some products have moving parts and the potential to cause injury through the crushing or trapping of fingers or other body parts. Particular attention to the nature of moving parts is required especially when assembling installing and adjusting during set up. Immediately after installations double-check that the work done is safe and secure. Double-check all necessary fixings are present and are of ample tightness. It is recommended that periodic inspections of the product and its fixing points are made as frequently as possible to ensure that safety is maintained. If in doubt consult a professional AV installer or other suitably qualified person.



CAUTION:

This wall mount is intended for use only with the maximum weights indicated. Use with heavier than the maximum weights indicated may result in instability causing possible injury

a**LCD SCREEN VESA® MOUNTING****i) Remove Interface Arms**

For VESA mounting, the horizontal Interface Arms and the Vertical Arms are not required

(Please refer to parts list on back page).

To check if your screen is VESA standard, please consult your screen's user handbook.

To remove the Interface Arms from VESA plate, unfasten the 8 M5 x 12mm screws.

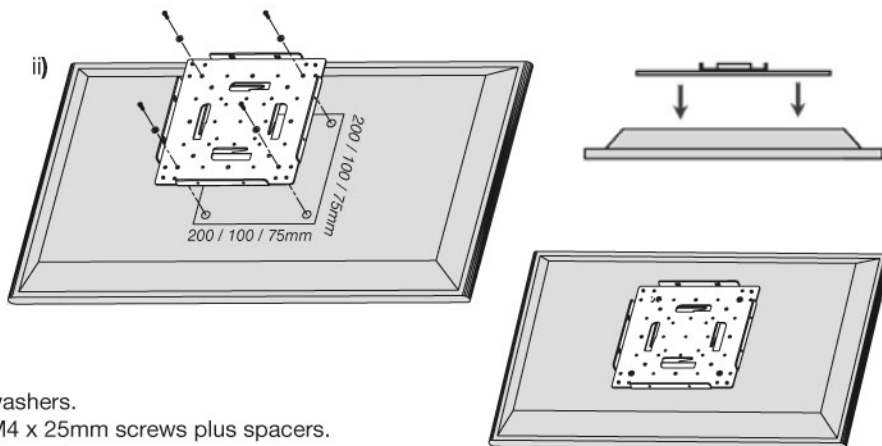
ii) Attach VESA plate to rear of screen

Depending on the VESA pattern on rear of LCD screen, fasten the VESA plate to the screen using the appropriate number of M4 x 10mm Allen screws and washers.

For screens with recessed fixings use M4 x 15mm or M4 x 25mm screws plus spacers.

For VESA Mis-F 200 x 200mm VESA pattern use the M6 x 15mm screws and washers.

For screens with recessed fixings use M6 x 25mm screws plus spacers.

**b****PLASMA AND NON-VESA® LCD SCREEN MOUNTING****i) Locate Mounting Holes**

Place the Plasma (or non-VESA LCD) screen down on the floor, table or other suitable surface (take care not to damage the screen).

Note where the mounting holes are located on the back of the casing.

On most flat screens, there are two sets of vertical parallel holes.

Ensure the VESA plate is securely fastened to the Interface Arms.

Slide the Vertical Arms onto the Interface Arms.

Do not insert screws and tighten until Step iv.

The Vertical Arms may be fitted either way round.

ii) Alignment of Interface Kit*

Place the Interface Kit on back and slide the Vertical Arms sideways over the holes on the back of the screen, making sure that the directional arrow on the VESA plate is facing up (same as the Plasma/LCD screen).

iii) Mounting Interface Kit to screen

From the comprehensive fixing kit supplied, choose the applicable screws and washers according to the mounting holes on the back of the screen (eg M4, M5, M6 or M8).

Spacers must be used where the mounting holes are recessed.

On some plasma casings, there are various high and low points.

Using the spacers provided, ensure that the VESA Plate does not press against the casing.

IMPORTANT : Always insert the screws by hand first to ensure that they are the correct thread size and to avoid cross threading. Using incorrect screws can cause permanent damage to the screen.

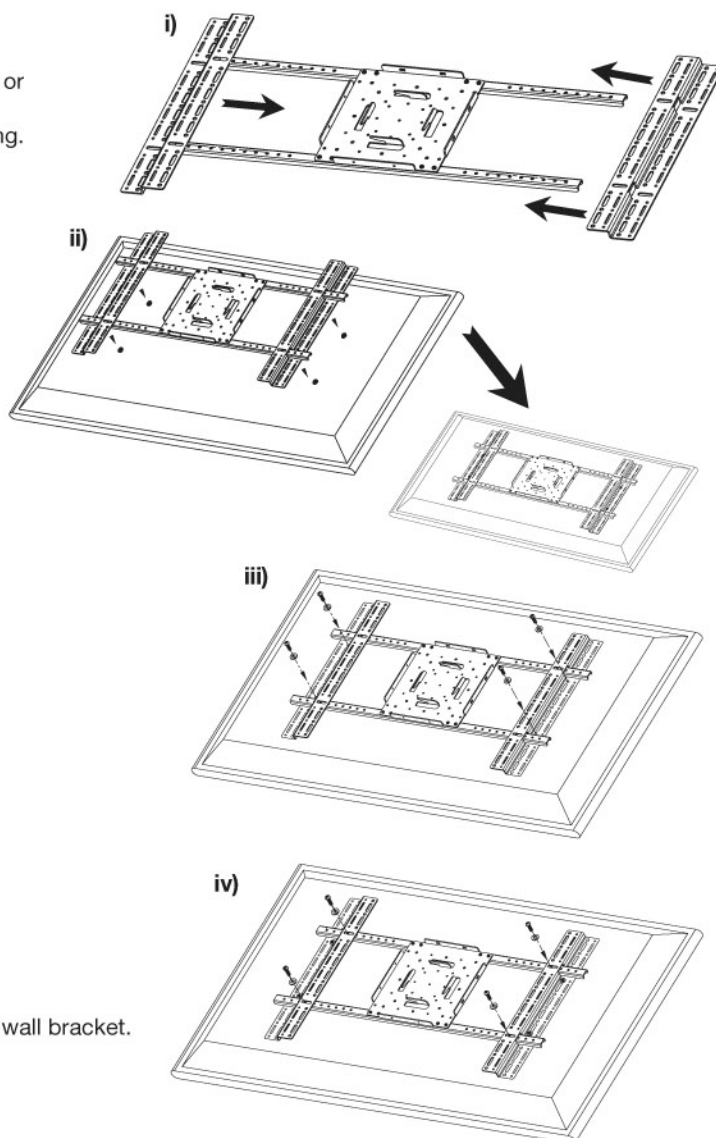
iv) Complete the Mounting

Once the Vertical Arms are secured to the back of the screen, the Vertical Arms can then be fastened to the Interface Arms.

Once the Interface Kit is secured, it is safe to hook onto the mounted wall bracket. (see Stage 5)

*Interface Kit = VESA Plate + Interface Arms

Please refer to Parts List on back page



1a **Choose location for Wall Bracket**
 Wall fixings not included*

Depending on the wall (e.g. concrete wall), it is necessary to drill suitable dowel/wall plug holes beforehand. Hold the wall plate against the wall (with the label including directional arrow facing towards you and upwards) and mark through the desired position for where to drill the holes. Screw locations and quantities are for illustrative purposes only and not all wall fixing screws may have been shown. Distribute screws as evenly as possible to spread the load. The bracket should be mounted to a concrete/ brick wall or stud wall (1b - a "stud locator"). If the only location is a concrete / brick wall, then it will be necessary to use suitable anchors. Holes are provided on the plate for feeding connecting cables through (only applicable when mounted on drywall). If you are unsure about mounting this product, please consult with a professional installer.

1b

Example:
 Mounting across 2 studs

***Installer must satisfy themselves that the wall fixings used are suitable to support heavy loads.**

2 **Mount Arm to Wall Bracket**

Choose 1 of 5 mounting positions for arm.
 Select the most suitable mounting hole according to the location of the wall bracket.

Insert bottom taper bearing into desired lower mounting hole before mounting arm.

Once arm is in place (with the middle-joint bolt head on top side) tighten top taper bearing by hand, then use supplied spanner to fully tighten. Add the M20 lock nut on the top bearing and fully tighten.

Adjust the resistance of the arm movement with Allen key by tightening the middle-joint bolt.

3 **Insert Spring Clips and add rubber pad**

Place rubber pad on one end of the wall plate to cushion the sound when folding arm flat against the wall

Attach a spring (R) clip through the bottom of both M16 bolts, one at the wall bracket connection and one at the swivel bracket connection

4 **Attach Coverplates to Wall plate**

For correct placement ensure that the coverplate with the 'B-Tech' logo on the side is on top

5 **Mount Screen to Wall Bracket**

(This procedure should be carried out by at least 2 persons)

6 **Adjust Tilt**

Slightly loosen the thumbwheel tension to adjust tilt (hold screen top and bottom). Tighten thumbwheels to fix tilt position

7 **Insert Security Screws**

Insert two M5 x 12mm security screws in the top and two screws in the bottom of the Interface bracket

8 **Horizontal Adjustment**

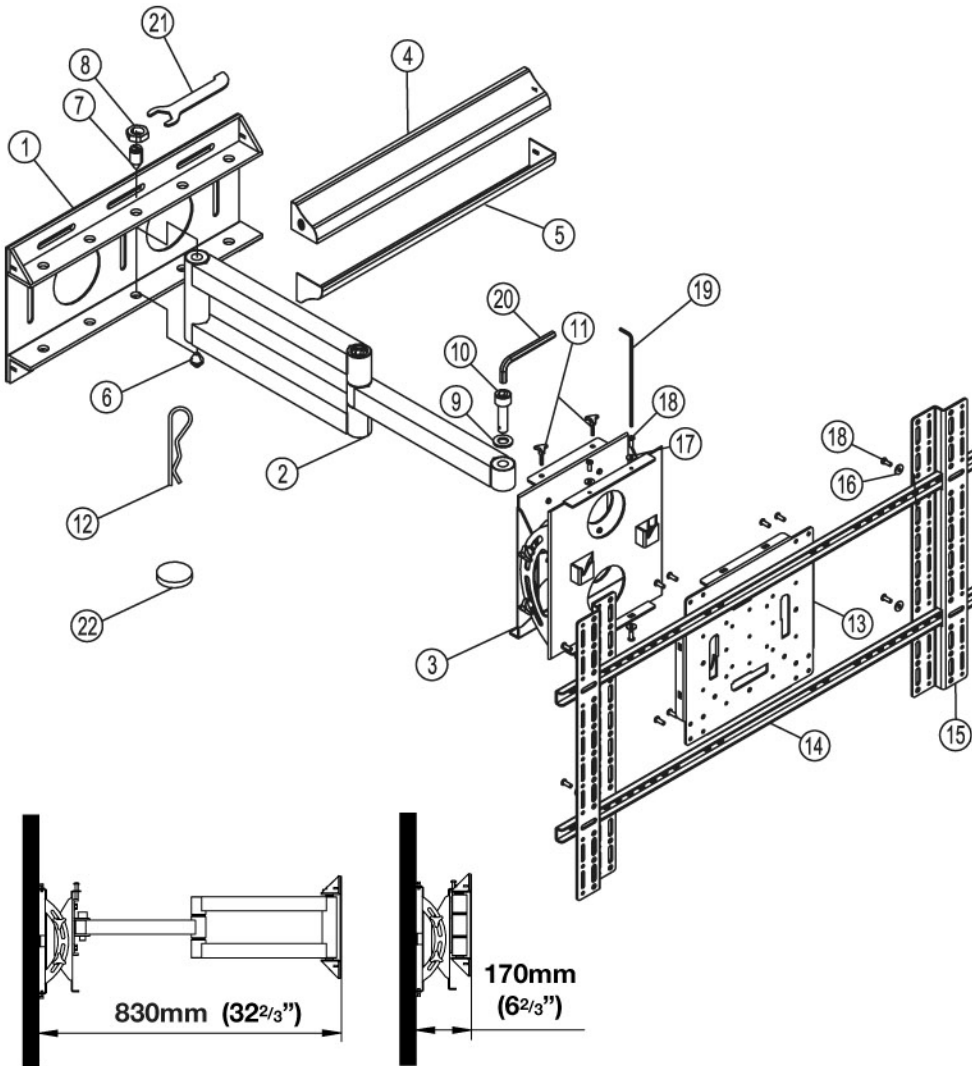
For a level presentation of screen, adjust the left or right thumbwheels on top of the Tilt bracket.

M8 nuts

The four M8 nuts on the back of the Tilt bracket must be loosened before horizontal adjustment and then re-tightened.











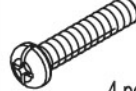



BT8412

FLAT PANEL WALL MOUNT WITH DUAL ARTICULATED ARM



Part Number	Part Name	Quantity
1	WALL MOUNT	1
2	DUAL ARTICULATED ARM	1
3	TILT BRACKET	1
4	TOP COVER PLATE - WITH LOGO	1
5	BOTTOM COVER PLATE	1
6	BOTTOM TAPER BEARING	1
7	TOP TAPER BEARING	1
8	M20 LOCK NUT	1
9	Ø16mm Ø30mm T0.5mm WASHER	1
10	M16 x 60mm ALLEN SCREW	1
11	LEVEL ADJUST THUMB WHEEL	2
12	"R" CLIP	1
13	VESA PLATE	1
14	INTERFACE ARMS	2
15	VERTICAL ARMS	2
16	Ø1/4" Ø16mm T2.0mm WASHER	4
17	M5 x 12mm SCREW	12
18	M5 x 12mm SECURITY ALLEN SCREW	4
19	M4 SECURITY ALLEN KEY - L200mm	1
20	M14 ALLEN KEY	1
21	SPANNER	1
22	RUBBER PAD	1

SCREEN FIXING KIT

FIXING KIT SIZE	SCREW		WASHER	SPACER	
	12mm	25mm	Ø12mm T0.8mm	L12mm	
M4	 4 pcs	 4 pcs	 4 pcs		
M5	 4 pcs	 4 pcs	Ø16mm T1.6mm		
M6	 4 pcs	 4 pcs	 4 pcs		4 pcs
M8	 4 pcs	 4 pcs	 8 pcs	 4 pcs	 4 pcs

B-TECH INTERNATIONAL LTD., ITS DISTRIBUTORS AND DEALERS ARE NOT RESPONSIBLE FOR DAMAGE OR INJURY CAUSED BY IMPROPER INSTALLATION.