

# BT8390-VESA400MAP

## SYSTEM X™ POP-OUT INTERFACE ARMS WITH MICRO-ADJUSTMENT

Ideal for assembling videowalls and other multi-screen applications, these interface arms are designed to mount medium to large screens onto System X horizontal mounting rails, providing a solution with easy pop-out access to aid installation and screen maintenance. The universal design is compatible with all videowall screens, and the modular design allows an almost endless number of configurations to be assembled in both landscape and portrait orientations. Tool-less micro-adjustment allows perfect alignment of displays, and a mounted depth of 104mm from the wall allows easy access for cables and connectors.



### SPECIFICATIONS

Recommended screen size	<b>39" - 75"</b>
Max load	<b>50kg</b>
VESA® & non-VESA fixings	up to <b>400mm</b> (vertical dimension)
Closed depth (mounted using BT8390-WFK1)	<b>105.4mm</b>
Open depth (mounted using BT8390-WFK1)	<b>273.9mm</b>
Depth adjustment	<b>+/-10mm</b>
Height adjustment	<b>+/-20mm</b>

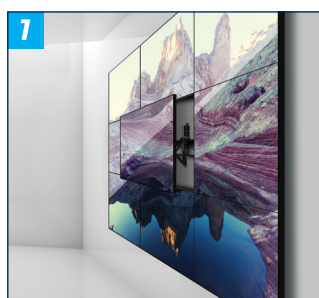
### FEATURES

- 1 Ideal for videowalls and other multi-screen installations
  - 2 Push to open/push to close system provides quick and easy service access
  - 3 Tool-less micro-adjustment for seamless display alignment
  - 4 Safety screws help prevent unauthorised removal of screens
- Perfect solution for mounting screens into a recessed wall
  - Tool-less micro-adjustment for seamless display alignment
  - Universal design compatible with most screens
  - Suitable for landscape and portrait mounting
  - Lateral adjustment - position arms anywhere along the length of the rail
  - Simple 'hook-on' installation
  - All mounting hardware included
  - TUV certified



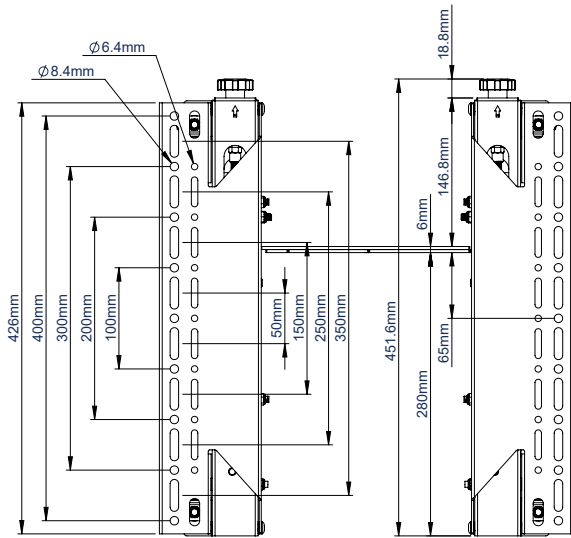
## SYSTEM X

RECOMMENDED MAX SCREEN <b>75"</b> 190cm	MAX LOAD <b>50kg</b>	MAX VESA <b>400</b>	MICRO ADJUSTMENT 	POST INSTALL ALIGNMENT 	TÜV CERTIFIED 	
---	-------------------------	------------------------	----------------------	----------------------------	-------------------	--

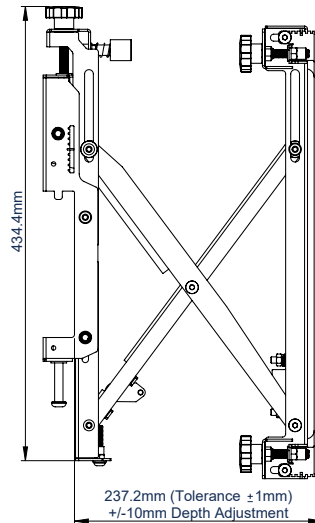


\* The VESA specification of the BT8390-VESA400MAP refers to the vertical dimension only. All System X interface arms can be positioned as far along the rail as necessary. BT7564 Interface Adaptor Arms can be used to increase the maximum vertical fixings to 600mm BT7565 Interface Adaptor Arms can be used to increase the maximum vertical fixings to 800 / 900mm

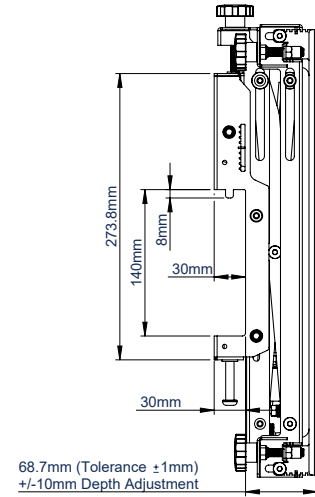
# BT8390-VESA400MAP



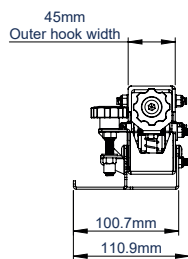
FRONT VIEW



SIDE VIEW - EXTENDED



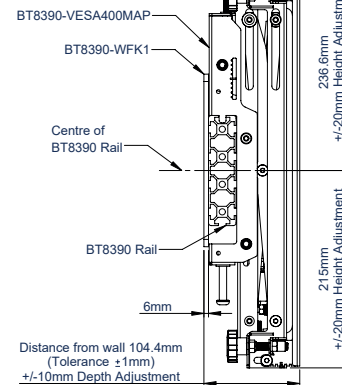
SIDE VIEW - CLOSED



TOP VIEW

## TYPICAL INSTALLATIONS

Wall mounted using BT8390-WFK1 & BT8390 rail:



WALL MOUNTED\*

\*Please note all other components shown in the technical drawings are available separately.

## ORDERING INFORMATION

COLOUR	ORDER REF	EAN
Black	BT8390-VESA400MAP/B V2	5019318306648

## RELATED PRODUCTS

PRODUCT CODE	NAME	DESCRIPTION
BT7564	Interface Adaptor Arms	Adaptor arms for increased VESA fixings up to 600
BT8390	System X Horizontal Rails	Mounting Rails in multiple lengths designed to support a variety of interface arms
BT8390-WFK1	System X Rail Mounting Bracket	Attach BT8390 Mounting Rails to the wall using BT8390-WFK1 Mounting Bracket
BT8390-VESA400MAF	VESA Interface Arms	Non pop-out Interface Arms for use when front service access is not required

© 2016 B-Tech AV Mounts Corporation Ltd. All rights reserved. The information in this specification sheet reflects the current technical specifications at the time of printing. We reserve the right to change the technical or physical specifications without prior notice. The B-Tech name and the B-Tech logo are registered trademarks of B-Tech AV Mounts Corporation Ltd. B-Tech is not responsible for loss or damage caused by improper installation or mounting on unstable structures. Any reproduction or use without permission is prohibited. All other trademarks are the property of their respective owners. B-Tech AV Mounts Corporation Ltd. All rights reserved.