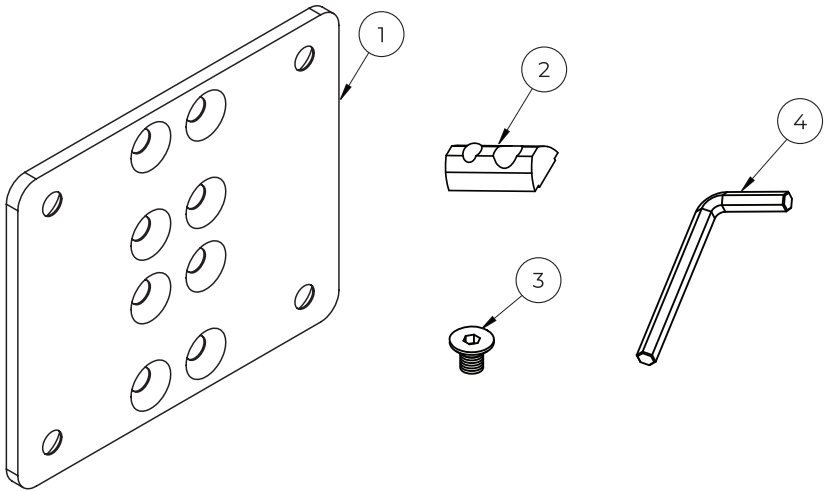


Collar Mounting Bracket

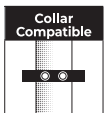
Use With BT8390 Mounting Rails & Accessory Collars

Installation Guide



Item	Description	Qty
1	Collar Mounting Plate	1
2	M8 Sliding Nut	4
3	M8 x 12mm CSK Screw	8
4	5AF Hex Key	1

Designed to work in conjunction with B-Tech's System X range



Installation Safety Instructions



Caution: This mount is intended for use only with the maximum weights indicated. Use with equipment heavier than the maximum indicated may result in instability causing possible injury.

B-Tech AV Mounts, it's distributors and dealers are not responsible for damage or injury caused by improper installation, improper use, modifications, installations over the specified weight capacity and/or failure to observe these safety instructions. In such cases, any warranty will expire.

It is recommended that this product should only be installed by a qualified professional / installer.

B-Tech AV Mounts does not claim any liability for any difficulties that may arise from the interpretation contained in these instructions. Failure to mount this product correctly may lead to serious injury and/or death.

Please check carefully to make sure there are no missing or defective parts - defective parts must never be used. In the event of missing and/or defective parts, or technical questions, please contact an authorised dealer.

Pay careful attention to where this product is located, some locations are not suitable for installation. For indoor use only. It is recommended that periodic inspections of the product are made as frequently as possible to ensure that safety is maintained.

Please keep these instructions for future reference.

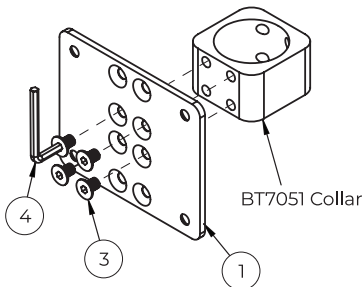
Installation Instructions

1. Assemble Collar to Collar Mounting Bracket

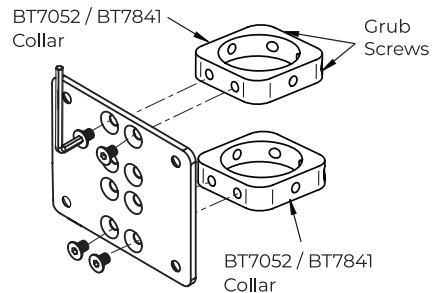
Attach item 1 to a B-Tech collar (BT7051 / BT7052 / BT7841) using item 3.

Note: Ensure grub screws are positioned on the back of the collar.

Assembly using 1 heavy duty collar

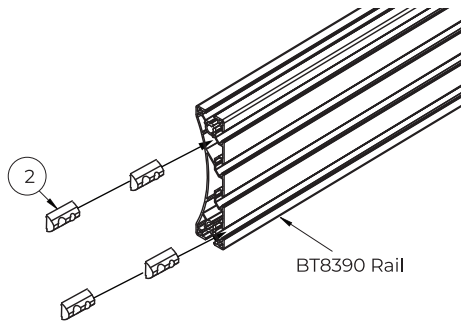


Assembly using 2 single collars

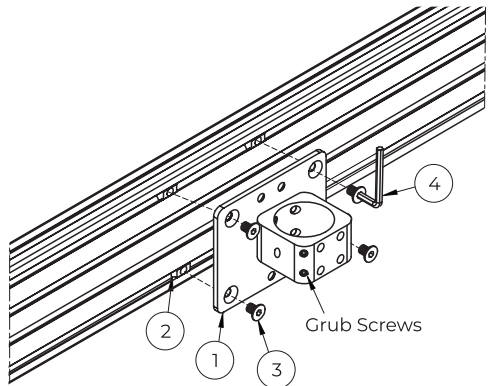
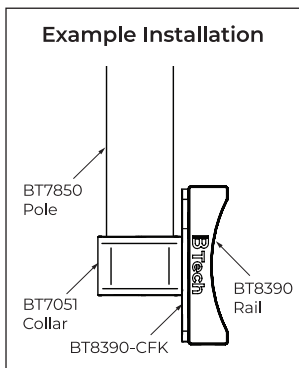


2. Attach Collar Mounting Bracket To Rail

- i. Insert *item 2* into the BT8390 rail.
 - 2x in the top channel, 2x in the bottom channel.



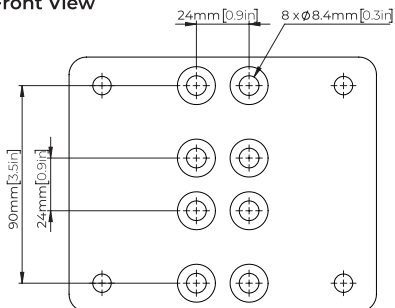
- ii. Fix *item 1* to the rail using *items 2 & 3*.



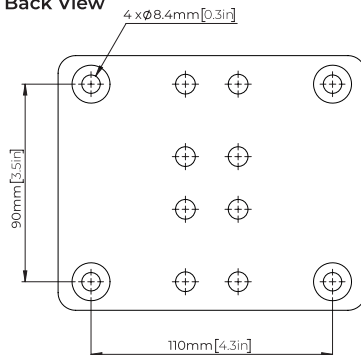
BT8390-CFK Dimensions

Please keep this for future reference

Front View



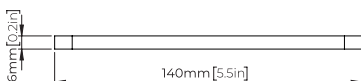
Back View



Side View



Top View



These instructions are intended as a guide only and B-Tech accepts no liability for the accuracy of the information contained in this document.

Contact: info@btechavmounts.com

©2024 B-Tech AV Mounts Corporation Ltd. All rights reserved.

B-Tech AV Mounts is a division of B-Tech AV Mounts Corporation Ltd.
B-Tech AV Mounts and the B-Tech logo are registered trademarks.
All B-Tech images and symbols are exclusive property of B-Tech AV Mounts Corporation Ltd.
All other brands and product names are trademarks of their respective owners.
Any reproduction, retransmission or republication of any part of this manual is strictly prohibited,
unless prior written permission has been granted by B-Tech AV Mounts Corporation Ltd.
Photographs are for illustrative purposes only. E&OE

Manufactured by:
B-Tech International Design & Manufacturing Ltd
Unit 26, 22/F Metro Centre II, 21 Lam Ling St., Kowloon Bay, Kowloon, Hong Kong

AMA-BT8390-CFK-V3-0324-123 Made in the P.R.C.

