

BT8390-AAC

SYSTEM X™ ANGLE ADJUSTMENT CONNECTOR

The BT8390-AAC is a connector that allows System X mounting rails to be joined together with an adjustable angle from -45° to +45°. This enables a solid, stable installation of curved multi-screen displays such as videowalls and menu boards and facilitates an installation process which is both quick and simple, aided by integrated angle guides.

SPECIFICATIONS

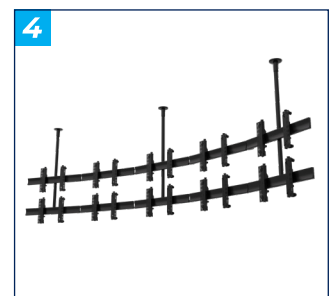
Angle adjustment range **+ / - 45°**
 Color **Black**

FEATURES

- 1 Integrated angle guides eliminate the need to measure required angles
- 2 Integrated rail mounting guides ensure the join position is consistent throughout the installation without the need to measure
- 3 Angle up to + / - 45° to create a concave or convex curve
- 4 Ideal curved videowalls and menu boards floor stands and ceiling mounts
- Fixes between two BT8390 rails to provide an angled joint - ideal for installations that require a curve
- All fixings included
- TUV certified

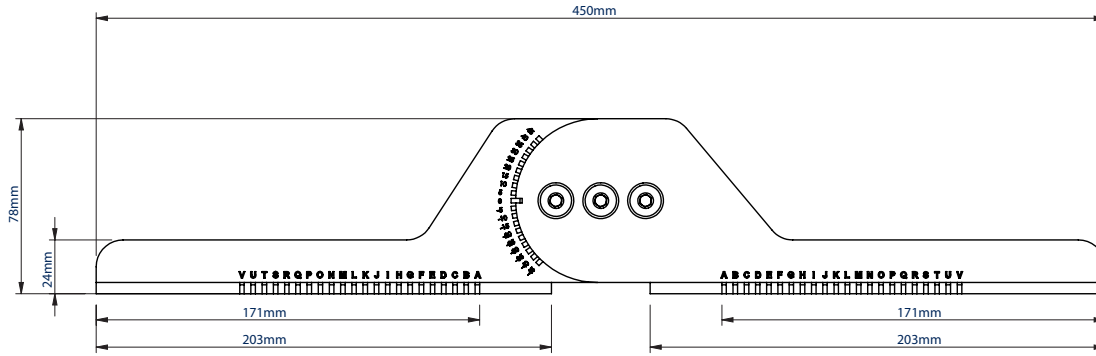


SYSTEM X

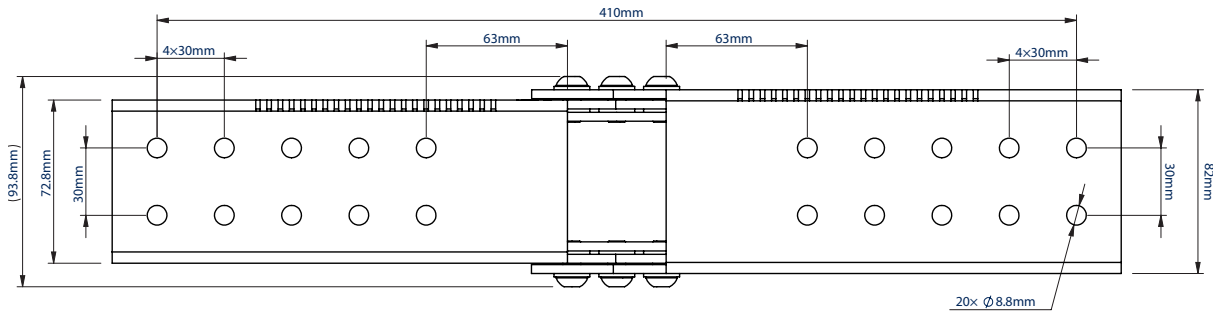


BT8390-AAC

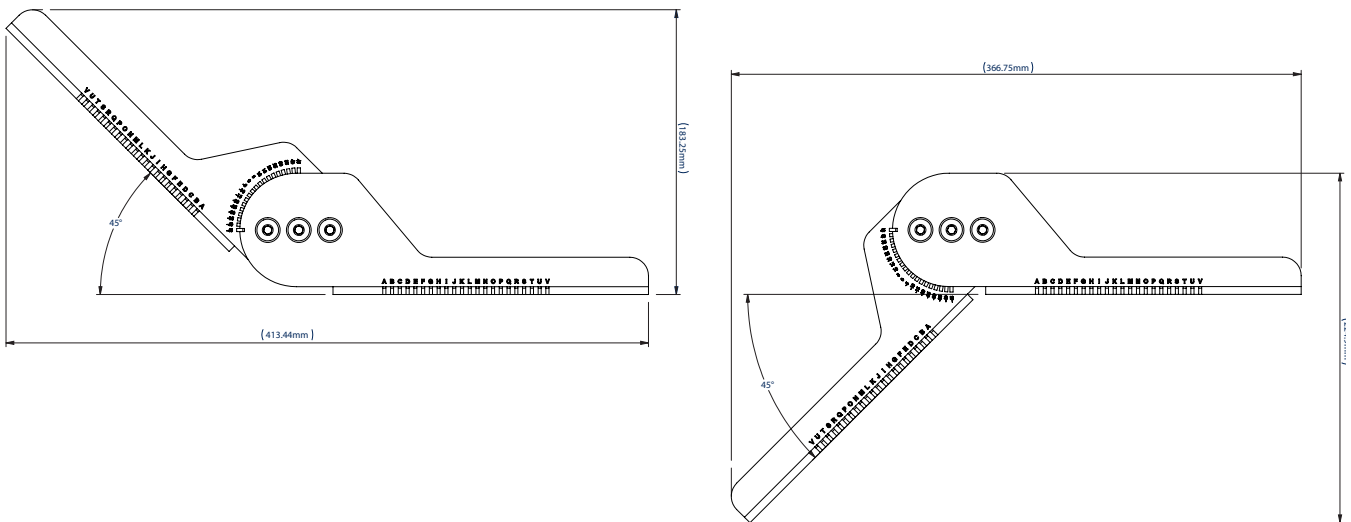
TOP VIEW



FRONT VIEW



DEGREES OF MOVEMENT



ORDERING INFORMATION

COLOR	ORDER REF	BARCODE
Black	BT8390-AAC/B	5019318501951

RELATED PRODUCTS

PRODUCT CODE	NAME	DESCRIPTION
BT8390	System X Horizontal Mounting Rail	Sturdy mounting rail designed to support a variety of interface arms & mounts
BT8380	Vertical Support Columns	For freestanding, mobile or bolt-down screen mounting
BT8390-JPK	Joining Plate Kit	For fixing mounting rails to vertical support columns
BT8380-BASE	Floor Base for Carts and Stands	For freestanding or mobile screen mounting solutions

© 2025 B-Tech AV Mounts Co., Ltd. All rights reserved.
 The information in this document is subject to change without notice. B-Tech AV Mounts Co., Ltd.
 B-Tech AV Mounts Co., Ltd. is not responsible for any damage or loss of data caused by improper installation or use of this
 specification. Please refer to the user manual for more information. B-Tech AV Mounts Co., Ltd. 2025.

SS-V4-BT8390-AAC-060825