

BT8375

UNIVERSAL BOLT-DOWN CURVED VIDEOWALL STAND

Designed to create curved videowalls, the BT8375 is a bolt-down mounting solution with a universal design suitable for all videowall screens from 39" to 75". As part of B-Tech's dynamic System X range, this contemporary mounting solution is lightweight yet incredibly strong, has a high-end aesthetic quality and comes with important time saving features such as integrated angle guides, tool-less micro-adjustment and a universal screen position spacer to speed up the installation process.

SPECIFICATIONS

Recommended screen size	39" - 75"
Max load	110lbs per screen
Angle adjustment range	+/- 45°
VESA® & non-VESA fixings	up to 900*
Base thickness	0.2"
Color (base & interface arms)	Black
Color (columns)	Black



FEATURES

- 1 Angle up to +/-45° to create a concave or convex curved videowall
 - 2 Tool-less micro-adjustment for seamless screen alignment
 - 3 Option for BT8390-VESA400MAP pop-out arms when ordering
 - 4 Integrated cable management
- Configurable mounting solution available to order to your requirements
 - Suitable for all videowall screens
 - Easy to use angle adjustment - set before or after installation
 - Integrated angle guides eliminate the need to measure required angles
 - Integrated rail mounting guides ensure the join position is consistent throughout the installation without the need to measure
 - Small footprint for an unobtrusive installation into confined areas
 - Safety screws help prevent unauthorized removal of screens
 - Simple installation with all mounting hardware included
 - TÜV Certified



RECOMMENDED MAX SCREEN 75" 190cm	MAX LOAD 110lbs	MAX VESA 900	MICRO ADJUSTMENT 	CONFIGURE AS REQUIRED 	TÜV CERTIFIED 	
--	------------------------------	---------------------------	-------------------------	------------------------------	----------------------	--

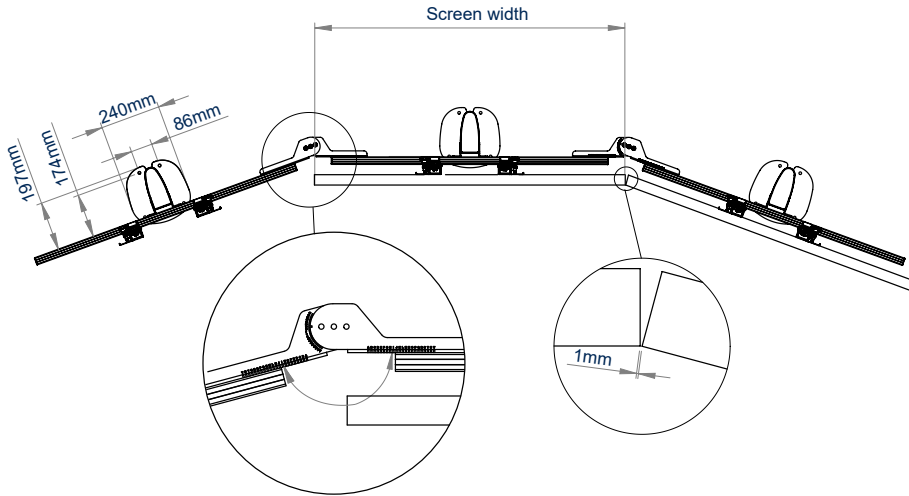
SYSTEM



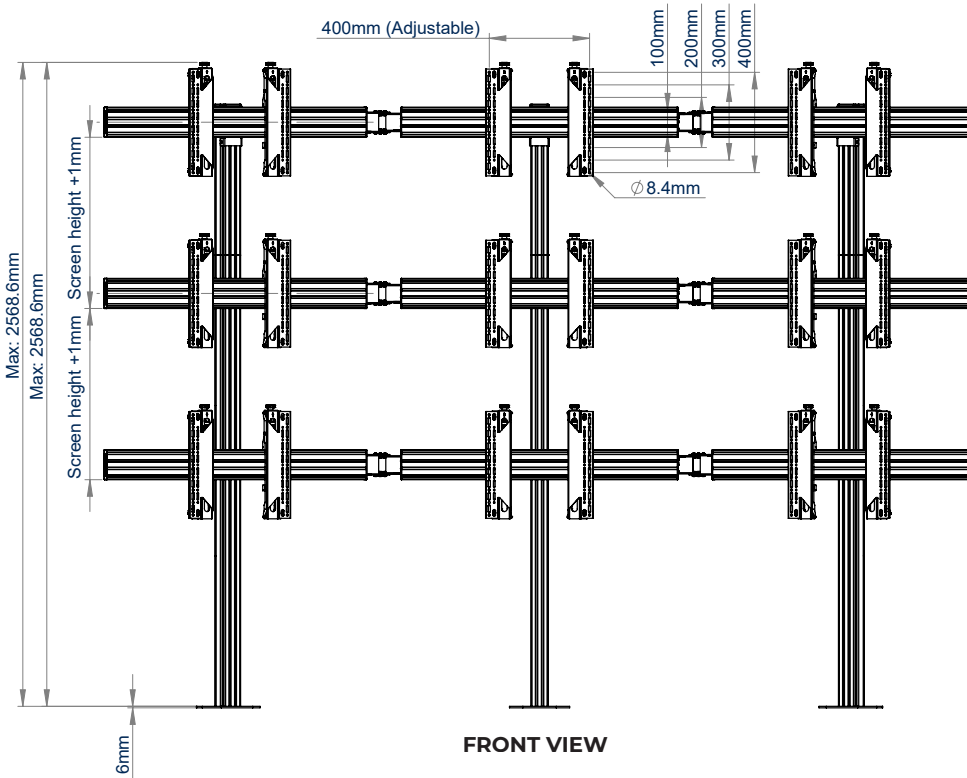
*Refers to maximum vertical fixing dimension for a typical configuration. Correctly sized interface arms and adaptors will be supplied as necessary to suit the mounting pattern you require.

BT8375

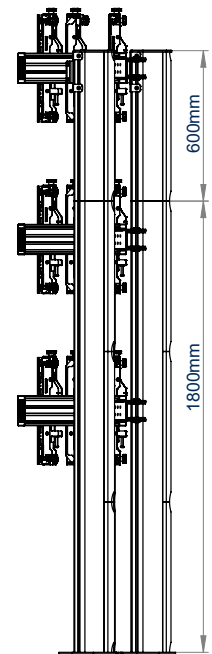
DIMENSIONS SHOW A TYPICAL 3X3 CONFIGURATION



TOP VIEW



FRONT VIEW



SIDE VIEW

ORDERING INFORMATION

COLOR	ORDER REF	BARCODE
Black w/Black Columns	BT8375/BB	5019318301483

RELATED PRODUCTS

PRODUCT CODE	NAME	DESCRIPTION
BT8373	Universal Freestanding Curved Videowall Stand	For all videowall screens
BT8376	Universal Freestanding Curved Videowall Stand	For all videowall screens
BT8374	Universal Mobile Curved Videowall Stand	Available to order to your requirements
BT7032/BT7033	AV Accessory Shelves	Can be attached directly to a vertical column

© 2022 B-Tech AV Mounts, Curved Video Ltd. All rights reserved.
 The information in this specification sheet reflects the current technical specifications at the time of printing.
 We reserve the right to change the technical or physical specifications without prior notice. This B-Tech name and the B-Tech logo are registered trademarks of B-Tech AV Mounts Co. Ltd.
 B-Tech is not responsible for loss or damage caused by improper installation or mounting on unsuitable structures. Any reproduction or reuse of information or images without the express written permission is strictly prohibited. Contact your nearest B-Tech representative for more information.
 SS-V2-BT8375-070725