



FOR
 46" - 55"
 SCREENS

BT8372-3X3

UNIVERSAL BOLT DOWN VIDEOWALL STAND FOR 3X3 VIDEOWALLS

Designed to mount videowalls in a 3x3 configuration, the BT8372-3X3 is a fixed position mounting solution for videowall screens from 46" to 55". As part of B-Tech's dynamic System X range, this contemporary mounting solution is lightweight yet incredibly strong, has a high-end aesthetic quality and comes with important time saving features such as tool-less micro-adjustment and a universal screen position spacer to speed up the installation process. For smaller installations the BT8372 is also available as an off-the-shelf 2x2 package or in alternative configurations using our online configuration tool at www.btechavmounts.com/systemx-configurator

SPECIFICATION

Recommended screen size	46" - 55"*
Max load	110lbs (50kg) per screen
VESA® & non-VESA fixings	up to 600 x 400
Dimensions	W: 118.11" D: 9.45" H: Min: 94.59" - Max: 101.08"
Color option (columns)	Black or Silver

FEATURES

- Universal design suitable for all videowall screens
- Suitable for landscape or portrait mounting
- Tool-less micro-adjustments for seamless screen alignment
- Integrated cable management
- Small footprint for an unobtrusive installation into confined areas
- Collar compatible accessories such as shelves can be fitted directly to the extrusion
- Includes re-usable screen position spacer to aid installation of screens
- Safety screws help prevent unauthorized removal of screens
- All mounting hardware included
- *For 55" to 60" sized screens please see BT8372-3X3-60 Spec Sheet



SYSTEM X

55" 140cm
 VESA 600 x 400
 110LBS
 PER SCREEN

ALTERNATIVE CONFIGURATIONS

The BT8372-3X3 is a mounting kit configured for a common videowall setup. Off-the-shelf kits for 2X2 and 3X3 configurations for screens from 39" to 60" are available throughout the range and for a custom configuration, use our online configuration tool to enter your specifications. With options such as screen size (from 32"-70"), screen orientation and leg height to choose from, there are over 2000 different configurations of the BT8372 available!

Try now at www.btechavmounts.com/systemx-configurator



Tool-less micro-adjustment for seamless display alignment



Small footprint base is ideal for shop windows and cable management covers hide untidy cables for a neat install

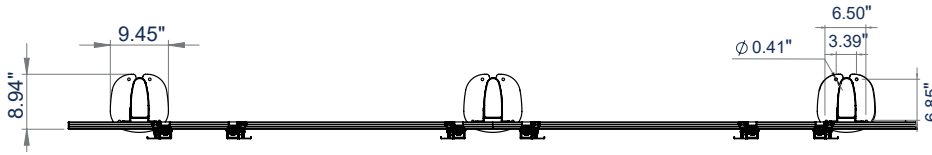


Cable management covers hide untidy cables and add to the stylish finish

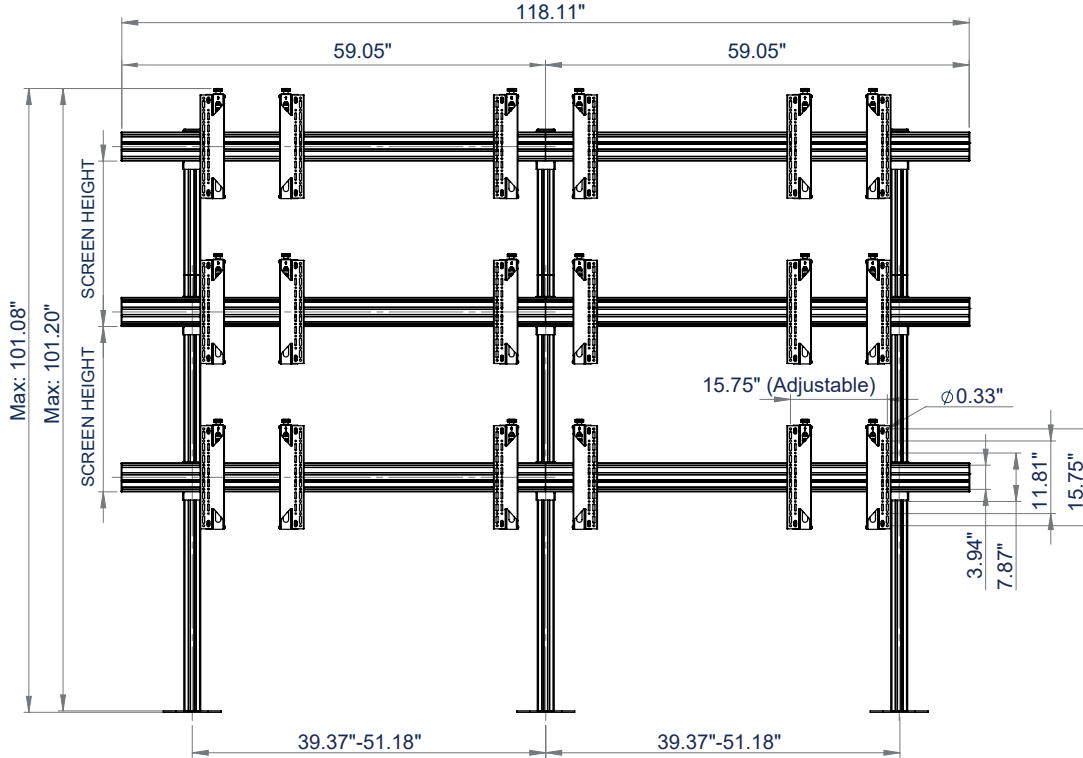


Screen spacer designed to eliminate calculations and guess work when installing horizontal rails

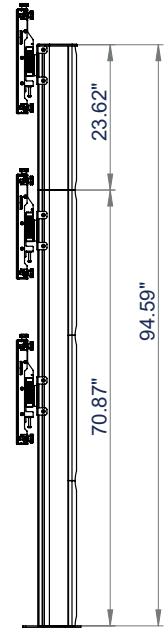
BT8372-3X3 DIMENSIONS FOR 46" - 55" SCREENS
 PLEASE SEE BT8372-3X3-60 SPEC SHEET FOR SCREENS 55" - 60"



TOP VIEW



FRONT VIEW



SIDE VIEW

PACKING INFORMATION

PLEASE NOTE, THIS IS A MULTIPLE BOX ITEM AND WILL BE DELIVERED ALL TOGETHER ON 1 PALLET

COLOR:	ORDER REF:	UPC CODE:	WEIGHT INCL. PALLET	CUBE INCL. PALLET
Black with Silver Rails	BT8372-3x3/BS	811867032895	390lbs	72.92cuft
Silver	BT8372-3x3/S	811867032901	390lbs	72.92cuft

RELATED PRODUCTS



BT8372-3X3-60
 Universal Bolt Down 3x3 Videowall Stand for screens 55" - 60"



BT8370-3X3
 Universal Videowall Stand for 3x3 Videowalls



BT8371-3X3
 Universal Mobile Videowall Cart for 3x3 Videowalls



BT8372-2X2
 Universal Bolt Down Videowall Stand for 2x2 Videowalls

© 2018 B-Tech Av Mounts, Inc. All rights reserved. The information in this specification sheet reflects the current technical specifications at the time of print. We reserve the right to change the technical or physical specifications without prior notice. The B-Tech name and the B-Tech logo are registered trademarks of B-Tech International Design & Manufacturing Limited. All other trademarks are the property of their respective owners. B-Tech is not responsible for any loss or damage caused by improper installation or misuse of the product. Any reproduction or republishing of any part of this specification sheet is strictly prohibited unless prior written permission has been granted by B-Tech International Design & Manufacturing Limited. 32411

SS-V4-BT8372-3X3-190521-US

