



FOR  
 55" - 60"  
 SCREENS

# BT8372-3X3-60 UNIVERSAL BOLT DOWN VIDEOWALL STAND FOR 3X3 VIDEOWALLS

Designed to mount videowalls in a 3x3 configuration, the BT8372-3X3-60 is a fixed position mounting solution for videowall screens from 55" to 60". As part of B-Tech's dynamic System X range, this contemporary mounting solution is lightweight yet incredibly strong, has a high-end aesthetic quality and comes with important time saving features such as toolless micro-adjustment and a universal screen position spacer to speed up the installation process. For smaller installations the BT8372 is also available as an off-the-shelf 2x2 package or in alternative configurations using our online configuration tool at [www.btechavmounts.com/systemx-configurator](http://www.btechavmounts.com/systemx-configurator)

### SPECIFICATION

Recommended screen size	55" - 60"*
Max load	110lbs (50kg) per screen
VESA® & non-VESA fixings	up to 600 x 400
Dimensions	W: 137.99" D: 9.45" H: Min: 94.59" - Max: 101.08"
Color option (columns)	Black or Silver

### FEATURES

- Universal design suitable for all videowall screens
- Suitable for landscape or portrait mounting
- Tool-less micro-adjustments for seamless screen alignment
- Integrated cable management
- Small footprint for an unobtrusive installation into confined areas
- Collar compatible accessories such as shelves can be fitted directly to the extrusion
- Includes re-usable screen position spacer to aid installation of screens
- Safety screws help prevent unauthorized removal of screens
- All mounting hardware included
- \* For 46" to 55" sized screens please see BT8372-3X3 Spec Sheet



SYSTEM X

60" 152cm VESA 600 x 400 110LBS PER SCREEN

### ALTERNATIVE CONFIGURATIONS

The BT8372-3X3-60 is a mounting kit configured for a common videowall setup. Off-the-shelf kits for 2X2 and 3X3 configurations for screens from 39" to 60" are available throughout the range and for a custom configuration, use our online configuration tool to enter your specifications. With options such as screen size (from 32"-70"), screen orientation and leg height to choose from, there are over 2000 different configurations of the BT8372 available! Try now at [www.btechavmounts.com/systemx-configurator](http://www.btechavmounts.com/systemx-configurator)



Tool-less micro-adjustment for seamless display alignment



Small footprint base is ideal for shop windows and cable management covers hide untidy cables for a neat install

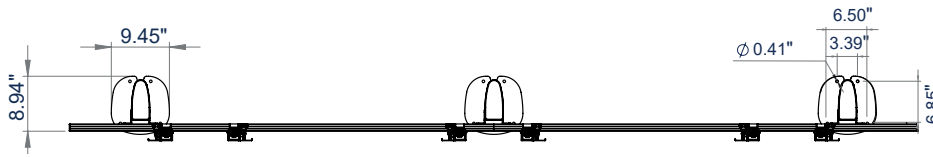


Cable management covers hide untidy cables and add to the stylish finish

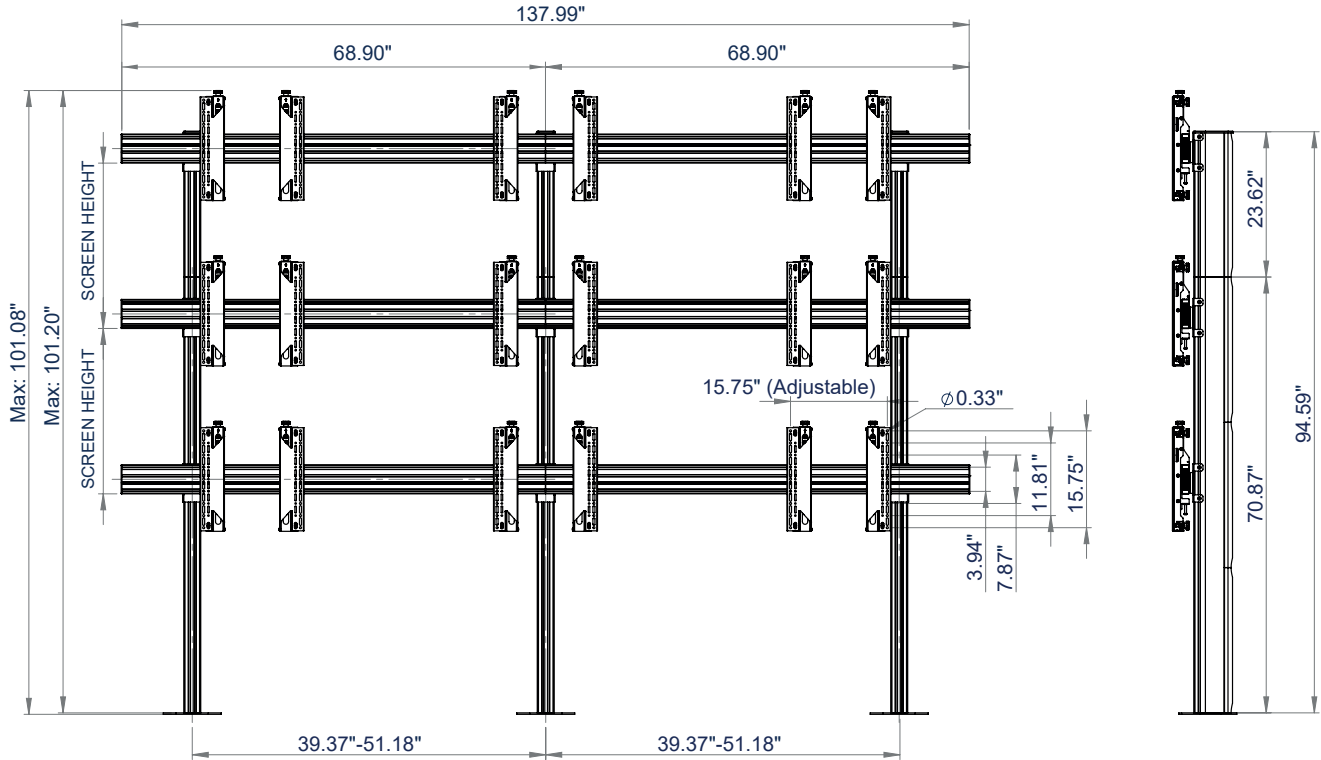


Screen spacer designed to eliminate calculations and guess work when installing horizontal rails

**BT8372-3X3-60 DIMENSIONS FOR 55" - 60" SCREENS**  
 PLEASE SEE BT8372-3X3 SPEC SHEET FOR 46" - 55" SCREENS



TOP VIEW



FRONT VIEW

SIDE VIEW

**PACKING INFORMATION**

PLEASE NOTE, THIS IS A MULTIPLE BOX ITEM AND WILL BE DELIVERED ALL TOGETHER ON 1 PALLET

COLOR:	ORDER REF:	UPC CODE:	WEIGHT INCL. PALLET	CUBE INCL. PALLET
Black with Silver Rails	BT8372-3x3-60/BS	811867032918	378lbs	72.92cuft
Silver	BT8372-3x3-60/S	811867032925	378lbs	72.92cuft

**RELATED PRODUCTS**



**BT8372-3X3**  
 Universal Bolt Down 3x3 Videowall Stand  
 for 46" - 55" screens



**BT8370-3X3**  
 Universal Videowall Stand  
 for 3x3 Videowalls



**BT8371-3X3**  
 Universal Mobile Videowall Cart  
 for 3x3 Videowalls



**BT8372-2X2**  
 Universal Bolt Down Videowall Stand  
 for 2x2 Videowalls

© 2015 B-Tech Av Mounts, LLC. All rights reserved. The information in this specification is for informational purposes only. B-Tech Av Mounts, LLC and the B-Tech logo are registered trademarks of B-Tech Av Mounts, LLC. B-Tech Av Mounts, LLC is not responsible for any damage or loss of data caused by improper installation or use of this product. Any reproduction or modification of any part of this specification is strictly prohibited without written permission from B-Tech Av Mounts, LLC.

SS-V2-BT8372-3X3-60-190521-1-US

