



FOR
46" - 60"
SCREENS

BT8372-2X2

UNIVERSAL BOLT DOWN VIDEOWALL STAND FOR 2X2 VIDEOWALLS

Designed to mount videowalls in a 2x2 configuration, the BT8372-2X2 is a fixed position mounting solution with a universal design suitable for all videowall screens from 46" to 60". As part of B-Tech's dynamic System X range, this contemporary mounting solution is lightweight yet incredibly strong, has a high-end aesthetic quality and comes with important time saving features such as tool-less micro-adjustment and a universal screen position spacer to speed up the installation process. For larger installations the BT8372 is also available as an off-the-shelf 3x3 package or in alternative configurations using our online configuration tool at www.btechavmounts.com/systemx-configurator

SPECIFICATION

Recommended screen size	46" - 60"
Max load	110lbs (50kg) per screen
VESA® & non-VESA fixings	up to 600 x 400
Dimensions	W: 78.74" D: 9.45" H: Min: 71.20" - Max: 77.54"
Color option (columns)	Black or Silver

FEATURES

- Universal design suitable for all videowall screens
- Suitable for landscape or portrait mounting
- Tool-less micro-adjustments for seamless screen alignment
- Integrated cable management
- Small footprint for an unobtrusive installation into confined areas
- Collar compatible accessories such as shelves can be fitted directly to the extrusion
- Includes re-usable screen position spacer to aid installation of screens
- Safety screws help prevent unauthorized removal of screens
- All mounting hardware included



SYSTEM X



ALTERNATIVE CONFIGURATIONS

The BT8372-2X2 is a mounting kit configured for a common videowall setup. Off-the-shelf kits for 2X2 and 3X3 configurations for screens from 39" to 60" are available throughout the range and for a custom configuration, use our online configuration tool to enter your specifications. With options such as screen size (from 32"-70"), screen orientation and leg height to choose from, there are over 2000 different configurations of the BT8372 available!

Try now at www.btechavmounts.com/systemx-configurator



Tool-less micro-adjustment for seamless display alignment



Small footprint base is ideal for shop windows and cable management covers hide untidy cables for a neat install



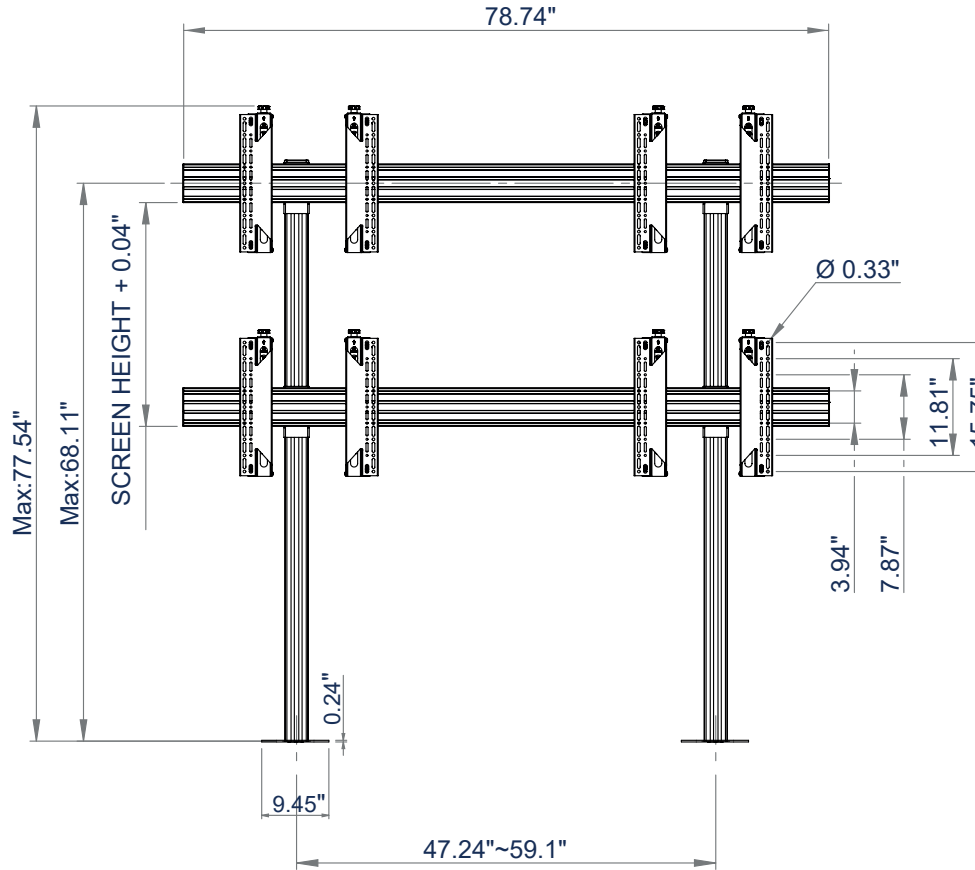
Cable management covers hide untidy cables and add to the stylish finish



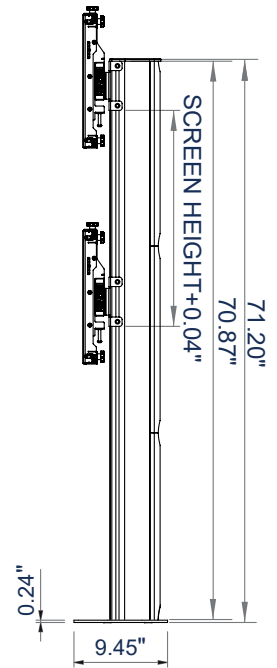
Screen spacer designed to eliminate calculations and guess work when installing horizontal rails



TOP VIEW



FRONT VIEW



SIDE VIEW

PACKING INFORMATION

PLEASE NOTE, THIS IS A MULTIPLE BOX ITEM

COLOR:	ORDER REF:	UPC CODE:	CARTON QTY	CARTON CUBE	CARTON WEIGHT
Black with Silver Rails	BT8372-2x2/BS	811867032871	9	x2 2.15cuft, x2 2.16cuft, x1 0.77cuft, x2 1.45cuft, x2 0.42cuft	x2 27lbs x2 6lbs, x1 11lbs, x2 18lbs, x2 24lbs
Silver	BT8372-2x2/S	811867032888			

ACCESSORIES AND RELATED PRODUCTS



BT8372-3X3
Universal Bolt Down Videowall Stand for 3x3 Videowalls



BT8370-2X2
Universal Videowall Stand for 2x2 Videowalls



BT8371-2X2
Universal Mobile Videowall Cart for 2x2 Videowalls



BT7032 / BT7033 / BT7863
AV Accessory Shelves can be attached directly to a vertical column

© 2015 B-Tech Av Mounts, Inc. All rights reserved. The information in this specification is provided for informational purposes only. B-Tech Av Mounts, Inc. and its subsidiaries are not responsible for any errors or omissions in this document. B-Tech Av Mounts, Inc. and its subsidiaries are not responsible for any damage caused by improper installation or use of this product. Any reproduction or distribution of any part of this specification is strictly prohibited without written permission from B-Tech Av Mounts, Inc.

SS-V5-BT8372-2X2-190521-US