



**QUICK & EASY SERVICE ACCESS**

# BT8341

## UNIVERSAL POP-OUT VIDEOWALL MOUNTING SYSTEM

The BT8341 is a modular wall mounting system for videowall installations of any size and features pop-in, pop-out interface arms designed to aid installation and allow access to the rear of the screens for servicing and maintenance. As part of the System X range, the BT8341 features a contemporary, lightweight yet incredibly strong design with a high-end aesthetic quality and micro-adjustment for seamless screen alignment.

### SPECIFICATION

Recommended screen size	39" - 75"
Max load	110lbs (per screen)
Depth (flat)	4.14" (+/-0.39" micro-adjustment)
Depth (popped out)	10.78" (+/-0.39" micro-adjustment)
VESA® & non-VESA fixings	(max vertical dimension) 900*
Color (interface arms)	Black
Color (horizontal rail)	Black

\*Refers to maximum vertical fixing dimension for a typical configuration. Correctly sized interface arms and adapters will be supplied as necessary to suit the mounting pattern you require.

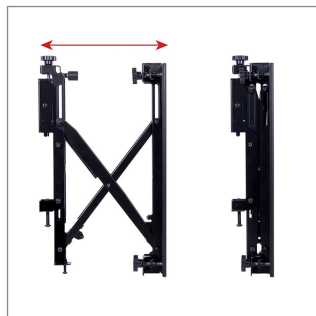
### FEATURES

- Universal design suitable for all sized screens up to 110lbs (per screen)
- Features pop-in, pop-out function to allow access to the rear of screens for servicing and maintenance and to aid installation
- Can be used in an endless variety of configurations
- Tool-less micro-adjustments for seamless display alignment
- Suitable for landscape or portrait mounting
- High-end aesthetic quality
- Safety screws help prevent unauthorized removal of screens
- Ideal for recess mounting video walls
- Arms include locking screw to prevent accidental pop-out of screens
- Cable management included for a neat and tidy installation
- Multiple rail lengths available (rails can also be joined to create larger installs)
- Can be combined with System 2 poles and collars for floor-to-ceiling installations\*\*

\*\*Pop-in, pop-out solutions that are mounted from the ceiling should also be fixed to the floor to prevent poles flexing when pushing screens in and out. For more information contact your local sales representative



Tool-less micro-adjustment for seamless screen alignment



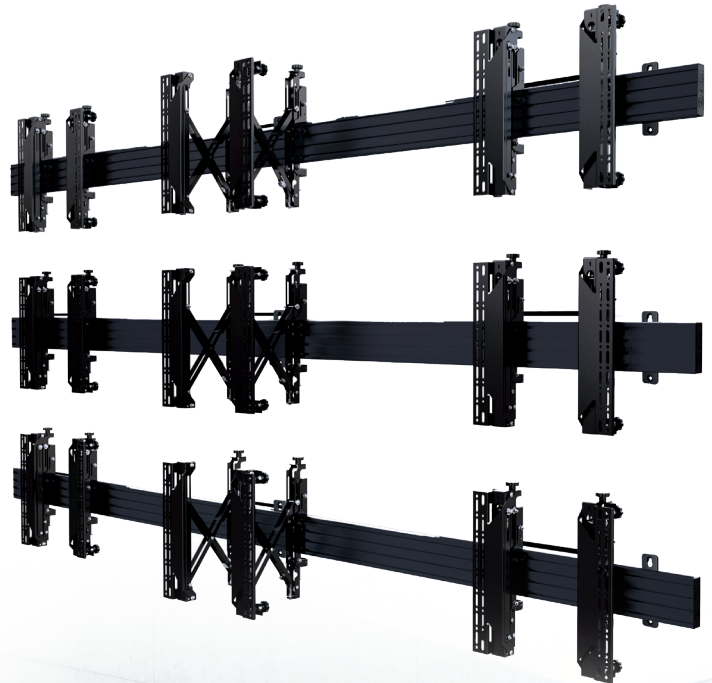
Push to open / push to close system provides quick and easy service access



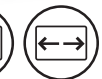
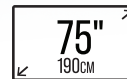
Suitable for landscape or portrait mounting, screens can also be recess mounted



Compatible with System 2 poles and collars to create floor-to-ceiling installations



SYSTEM X



PER SCREEN

## CREATE YOUR MOUNTING SYSTEM ONLINE

SPECIFY YOUR VIDEOWALL & MENU BOARD REQUIREMENTS ONLINE AND OUR SYSTEM X CONFIGURATION TOOL WILL CREATE A MOUNTING KIT TO SUIT YOUR NEEDS



There are thousands of System X configurations available! Visit our online configuration tool to specify setups, number of screens, number of rows and orientation.

Try now at [www.btechavmounts.com/systemx-configurator](http://www.btechavmounts.com/systemx-configurator)



