

BT8327

SYSTEM 2 ADAPTER FOR USE WITH BT8325 SAMSUNG OM55N-D SERIES CEILING MOUNT

Designed for use with B-Tech's **BT8325** Ceiling Mount for Samsung OM55N-D Series double-sided display. The **BT8327** works alongside additional System 2 components, BT7822 Ceiling Mount and BT7850 Poles to create a custom solution that allows the BT8325 to be hung at variable heights from the ceiling. Poles are available from 0.5m - 3m and can be joined with our Pole Joiners or cut to a specific length.



SPECIFICATIONS

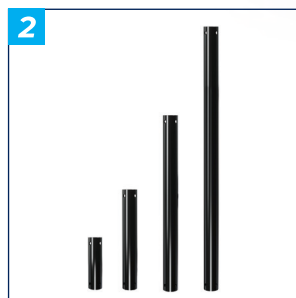
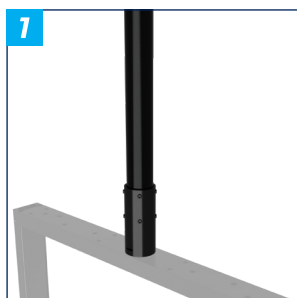
Designed for use with	BT8325
Max Load	110lbs
Pole Diameter	Ø2"
Color	Black

FEATURES

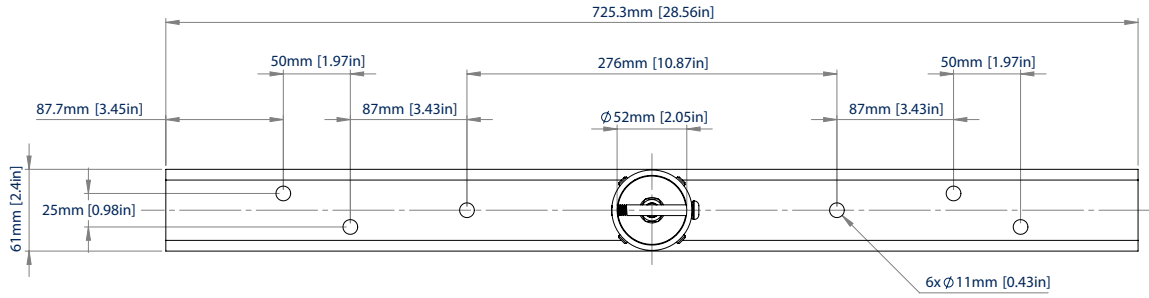
- 1 Adds variable ceiling height adjustment to BT8325 installations
- 2 BT7850 poles available at multiple lengths
- 3 Works in conjunction with BT8325 parts to create a rigid solution
- 4 Integrated cable management
- For indoor use only
- Ideal for high ceiling installations
- Use alongside BT7850 Ø2" Poles and BT7822 Ceiling Mount



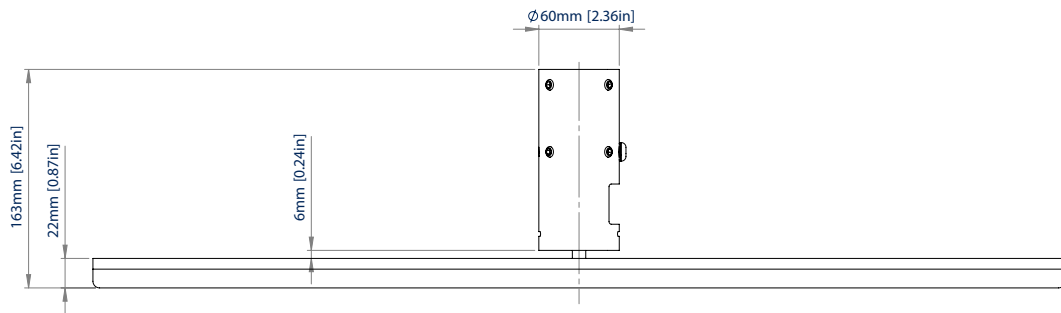
MAX LOAD 110lbs	DIAMETER 2" ← • →	
-------------------------------	-------------------------	--



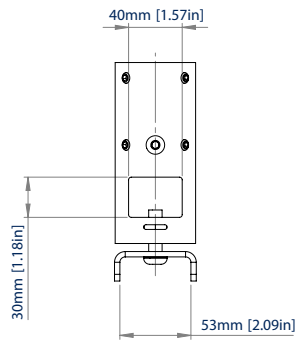
BT8327



TOP VIEW



FRONT VIEW



SIDE VIEW

ORDERING INFORMATION

COLOR	ORDER REF	BARCODE
Black	BT8327/B	5019318307300

RELATED PRODUCTS

PRODUCT CODE	NAME	DESCRIPTION
BT8325	Ceiling Mount	For Samsung OM55N-D 55" Double Sided Displays
BT7850	System 2TM Ø50mm Pole	Designed to portrait mount a 66" digital signage screens
BT7822	Heavy Duty Ceiling/ Floor Mount	Use with B-Tech poles to mount solutions from the floor or ceiling
BT7017	I-Beam / Girder Mount	For Ø2" Poles

© 2025 B-Tech AV Mounts Corporation Ltd. All rights reserved.
 The information this specification sheet reflects the current technical specifications at the time of printing.
 We reserve the right to change the technical or physical specifications without prior notice. The B-Tech name and the B-Tech logo are registered trademarks of B-Tech AV Mounts Corporation Ltd.
 B-Tech is not responsible for loss or damage caused by improper installation or mounting on unsuitable structures. Any reproduction or use, alteration or repair without the express written permission of B-Tech AV Mounts Corporation Ltd. is prohibited.
 Specification sheet is strictly for reference. All other information is subject to change without notice.