

BT8322

PORTRAIT DIGITAL SIGNAGE WALL MOUNT FOR SCREENS UP TO 65"

The BT8322 is an ideal solution for digital signage displays. Its low-profile design positions the screen just 36mm from the wall, offering a sleek and space-saving setup. The mount supports screens with VESA patterns up to 400 x 600 in portrait orientation and can also accommodate landscape orientation with 600 x 400 VESA patterns. For added convenience, the BT8322 includes cable ties to secure small AV equipment between the mount and the screen, adjustment screws for precise levelling after installation, and space for a small padlock to prevent unauthorised removal.

SPECIFICATIONS

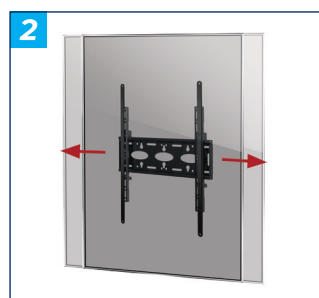
Recommended screen size	up to 65"
Max load	80kg
Fixing patterns	up to 400mm x 600mm
Distance from wall	36mm
Recommended AV equipment size	D: up to 20mm x H: up to 100mm
Padlock hole size	Ø5mm

FEATURES

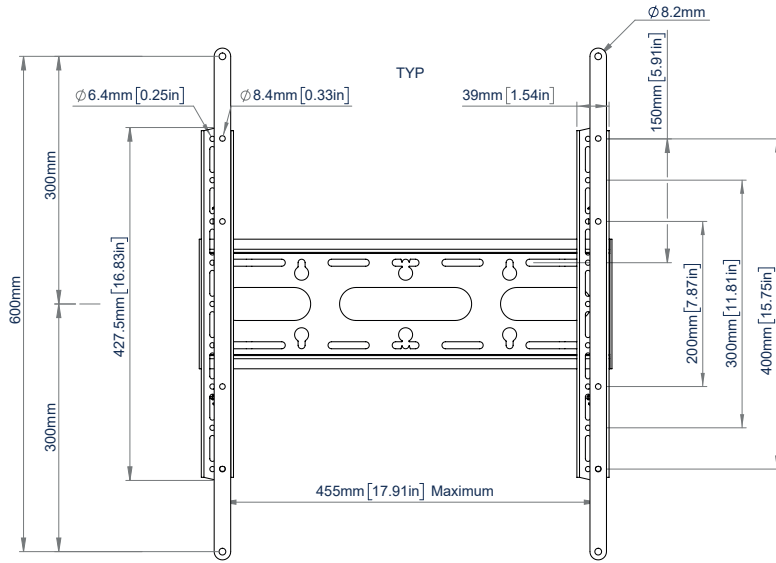
- 1 Low profile design mounts screen only 36mm from the wall
 - 2 Easy lateral adjustment of the screen once mounted
 - 3 Supplied with cable ties to secure AV equipment to the mount
 - 4 Interface arms include space for a small padlock to help prevent unauthorised removal (padlock not included)
- Levelling screws enable simple height adjustment of the screen
 - Designed primarily for portrait mounting but also supports landscape installations if needed
 - Pole-mounted version available upon request
 - VESA Adaptors are available for screens with larger vertical VESA patterns
 - Collar compatible, ideal for pole mounting
 - Simple installation with all mounting hardware included



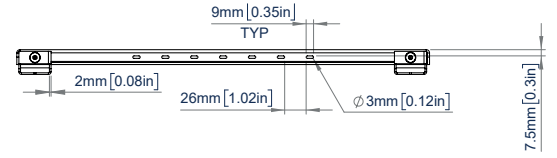
RECOMMENDED MAX SCREEN	MAX LOAD	MAX VESA	POST INSTALL ALIGNMENT	COLLAR COMPATIBLE	QR CODE
65" 165cm	80kg	600 x 400			



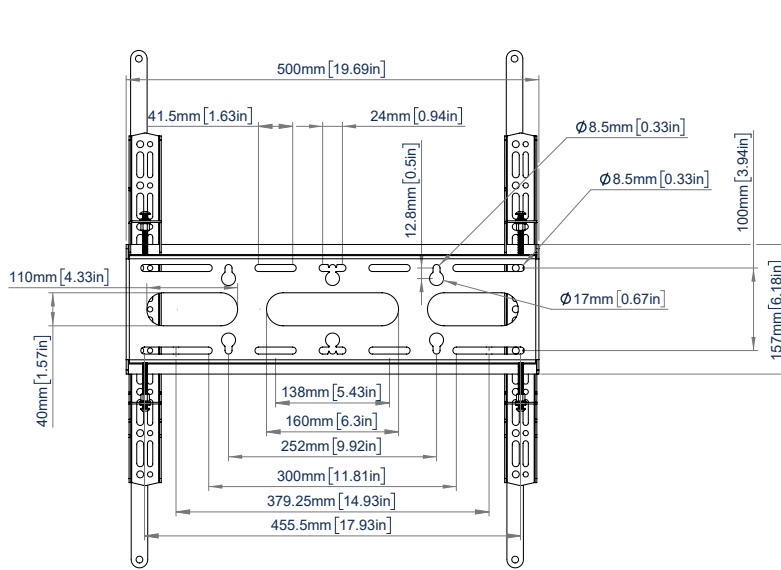
BT8322



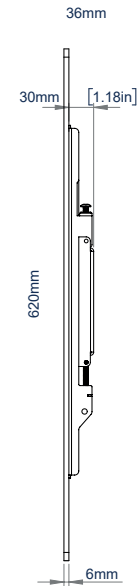
FRONT VIEW



TOP VIEW



REAR VIEW



SIDE VIEW

ORDERING INFORMATION

COLOUR	ORDER REF	EAN
Black	BT8322/B	5019318306839

RELATED PRODUCTS

PRODUCT CODE	NAME	DESCRIPTION
BT7565	800mm Adaptor Arms	Designed to increase the VESA mounting pattern of smaller mounts
BT8573	Flat Screen Floor Stand	Stylish display stand designed for use with a large sized screen
BT7822	Heavy Duty Floor/ Ceiling Mount	Mounting solution designed to mount Ø50mm poles to the floor/ceiling
BT7052	Ø50mm Accessory Collar	Designed to attach a variety of mounts and accessories onto B-Tech poles

© 2018 B-Tech AV Mounts Corporation Ltd. All rights reserved.
 The information this specification sheet reflects the current technical specifications as of the time of printing.
 We reserve the right to change the technical or physical specifications without prior notice. The B-Tech name and the B-Tech logo are registered trademarks of B-Tech AV Mounts Corporation Ltd.
 B-Tech is not liable for loss or damage caused by improper installation or mounting on unstable structures. Any reproduction or reuse, alteration or modification of any part of this specification sheet is strictly prohibited unless prior written permission is granted by B-Tech AV Mounts Corporation Ltd. B-Tech.

SS-V2-BT8322-020924