

BT8311

VIDEO WALL MOUNT

Designed to make video wall installations as quick and simple as possible, this modular video wall mount can be used to create unlimited video wall configurations in both landscape and portrait format. The tool-less 8 point micro-adjustment makes accurate screen alignment quick and easy. The BT8311 can also be used in conjunction with the BT8310 pop-in, pop-out video wall mount to allow easier access behind screens for maintenance.

SPECIFICATIONS

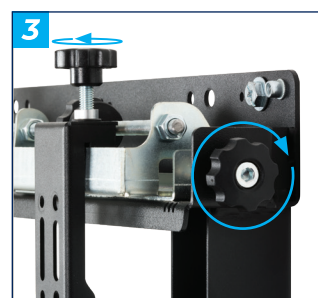
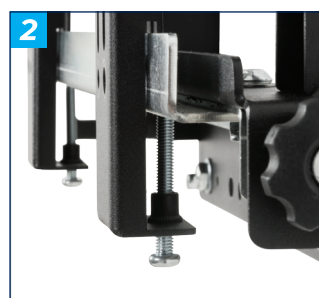
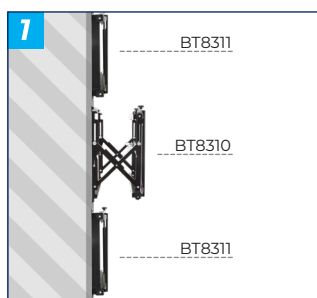
| | |
|-----------------------------------|--|
| Recommended screen size | 42" - 70" |
| Max load | 165lbs |
| VESA® compatibility as standard | 200 x 200 up to 400 x 400 |
| VESA® compatibility with adaptors | up to 600 x 400* |
| Distance from wall | 3.8" (+/- 0.3" with micro-adjustment) |
| Screen height adjustment | 0.6" |

FEATURES

- 1 Can be used in conjunction with the BT8310 pop-in, pop-out wall mount
 - 2 Safety screws prevent unauthorized removal of screens
 - 3 Tool-less micro-adjustment at 8 points for seamless display alignment
 - 4 Optional interface adaptors for VESA 600 x 400 fixings included as standard
- Modular mount for unlimited wall display configurations
 - Suitable for landscape or portrait screen mounting
 - Suitable for both wall or pole mounting
 - Integrated cable management for a neat and tidy installation
 - Screen specific wall plate spacer kits (available separately) dramatically shorten install times by eliminating guesswork and on-site calculations
 - Adaptor arms for VESA 800 x 400 fixings (BT7565) available separately



| RECOMMENDED MAX SCREEN | MAX LOAD | MAX VESA | MICRO ADJUSTMENT | POST INSTALL ALIGNMENT | COLLAR COMPATIBLE | QR CODE |
|------------------------|----------|-----------|------------------|------------------------|-------------------|---------|
| 70" 178cm | 165lbs | 600 x 400 | | | | |



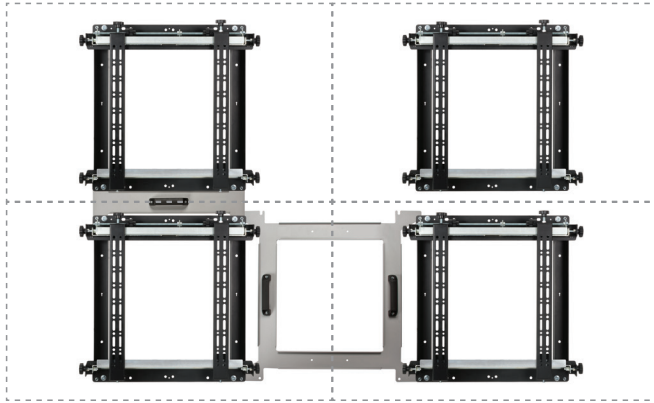
* Please note using the included interface adaptor arms to mount VESA 600 x 400 screens will increase the total depth of the product by 0.2", for a total depth of 4"

BT8311

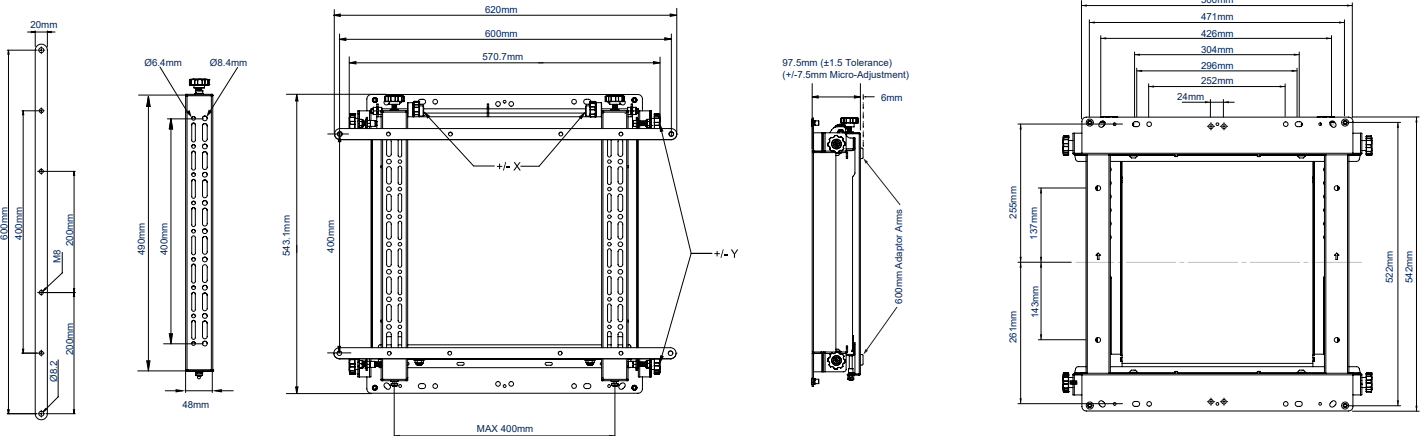
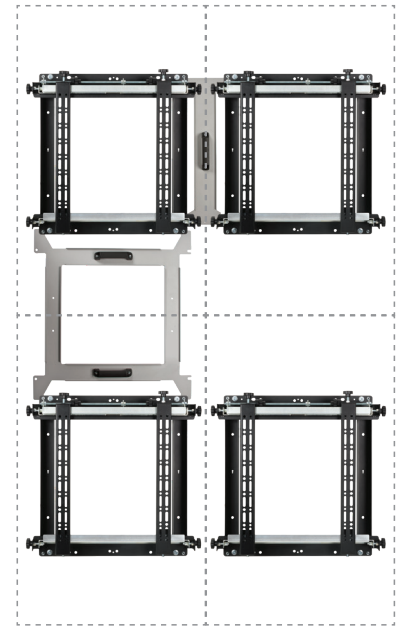
CUSTOM WALL PLATE SPACERS

Wall plate spacers are available for the BT8311 and eliminate tedious alignment calculations, meaning less time is wasted through measuring and 'guesswork'. These spacers are available to order separately and are screen specific for all popular brands such as LG, Samsung, Phillips, Sharp and NEC. To find out which spacer kit is needed for a specific screen please visit www.btechavmounts.com/BT8311 or scan the QR code below.

LANDSCAPE



PORTRAIT



ADAPTER ARM

INTERFACE ARM

FRONT VIEW WITH ADAPTER ARMS

SIDE VIEW

REAR VIEW

*Total depth increased to 4" (+/-0.3" micro-adjustment) when using VESA 600 x 400 adaptors

ORDERING INFORMATION

| COLOR | ORDER REF | BARCODE |
|-------|-----------|---------------|
| Black | BT8311/B | 5019318089701 |

RELATED PRODUCTS

| PRODUCT CODE | NAME | DESCRIPTION |
|--------------|----------------------------------|--|
| BT8310 | Pop-In, Pop-Out Video Wall Mount | Designed for screens up to 165lbs per screen |
| BT7822 | Heavy Duty Floor / Ceiling Mount | Used in conjunction with B-Tech poles / collars to create pole mounted solutions |
| BT7841 | Ø2" Poles | Accessory Collars allow the user to attach BT8312 to BT7850 Ø2" Poles |
| BT7850 | Ø2" Poles | Available in a variety of lengths to create multiple pole-mounted solutions |

© 2015 B-Tech AV Mounts, Inc. All rights reserved. The information in this document is subject to change without notice. B-Tech AV Mounts, Inc. is not responsible for any damage or loss of data caused by improper installation or modification of any part of this specification. B-Tech AV Mounts, Inc. is not responsible for any damage or loss of data caused by improper installation or modification of any part of this specification. B-Tech AV Mounts, Inc. is not responsible for any damage or loss of data caused by improper installation or modification of any part of this specification. B-Tech AV Mounts, Inc. is not responsible for any damage or loss of data caused by improper installation or modification of any part of this specification.

SS-V2-BT8311-070725