

BT8310XL

HEAVY DUTY POP-OUT FLAT SCREEN WALL MOUNT

Designed to mount extra-large screens, the heavy duty **BT8310XL** is capable of mounting screens up to 125kg in both landscape and portrait orientations. With reinforced scissor arms, this wall mount is ideal for mounting the largest sized screens and features an easy to use pop-out function and 8-point micro-adjustment, making installation and alignment into a recessed wall both quick and simple. Access to the rear or sides of the screen for maintenance or cabling is possible through the pop-out feature, with an additional locking kit accessory available (separately) to prevent unauthorised access if required.

SPECIFICATIONS

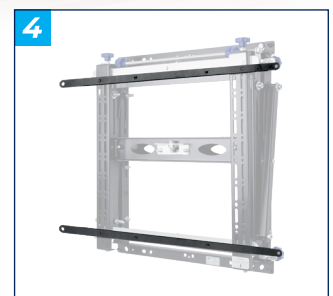
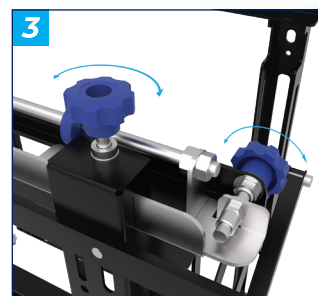
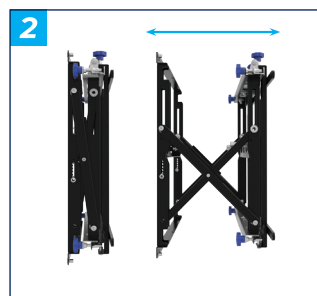
Recommended screen size	42" - 120"
Max load	50kg - 125kg
VESA® compatibility as standard	200 x 100 up to 400 x 400
VESA® compatibility with adaptors	up to 600 x 400
Flat to wall depth	101mm* (+/-7mm with micro-adjustment)
Popped out depth	293mm* (+/-7mm with micro-adjustment)

FEATURES

- Perfect for mounting large heavy duty screens into a recessed wall
- 1** Side arms are reinforced to hold heavy loads up to 125kg
- 2** Push to open/push to close system provides quick and easy service access
- 3** Tool-less micro-adjustments at 8 points for seamless display alignment
- 4** Includes interface adaptor arms for VESA 600 x 400 as standard
- Suitable for landscape or portrait screen mounting
- Safety screws help prevent unauthorised removal of screens
- Suitable for both wall or pole mounting
- Integrated cable management
- BT8310-LK kit to prevent accidental pop-out of mount is also available
- All mounting hardware included

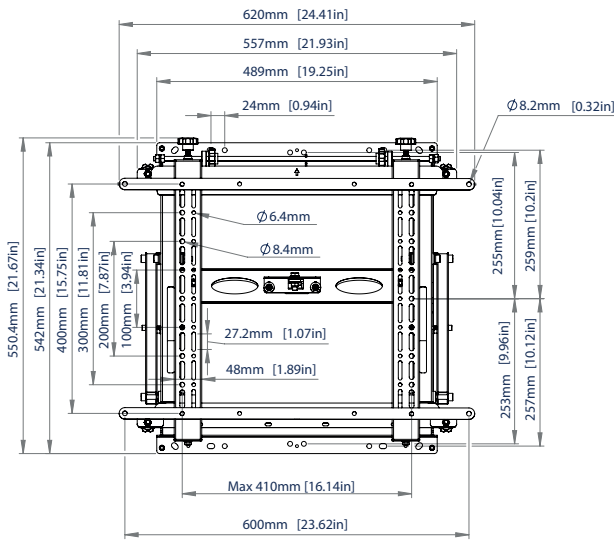


RECOMMENDED MAX SCREEN	MAX LOAD	MAX VESA	MICRO ADJUSTMENT	POST INSTALL ALIGNMENT	COLLAR COMPATIBLE	QR CODE
120" 305cm	125kg	600 x 400				

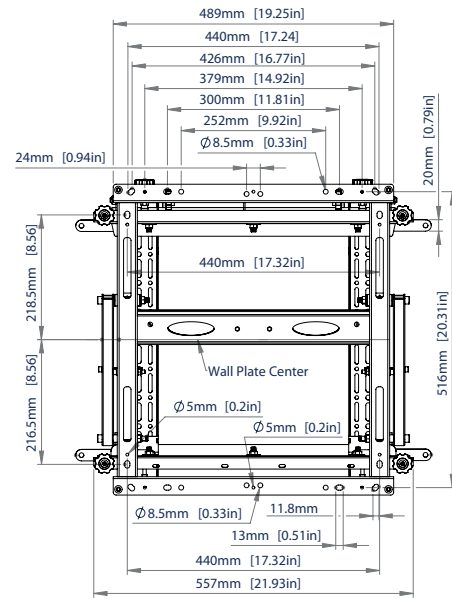


*Please note using the included Interface Adaptor Arms to mount VESA 600 x 400 screens will increase the total depth of the product by 6mm, for a total depth of 107mm, or 299mm whilst popped out (+/-7mm micro-adjustment).

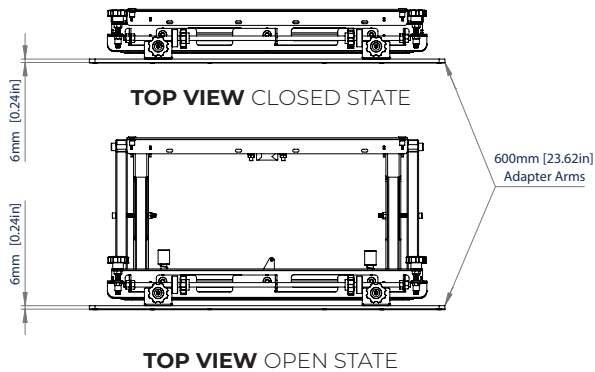
BT8310XL



FRONT VIEW

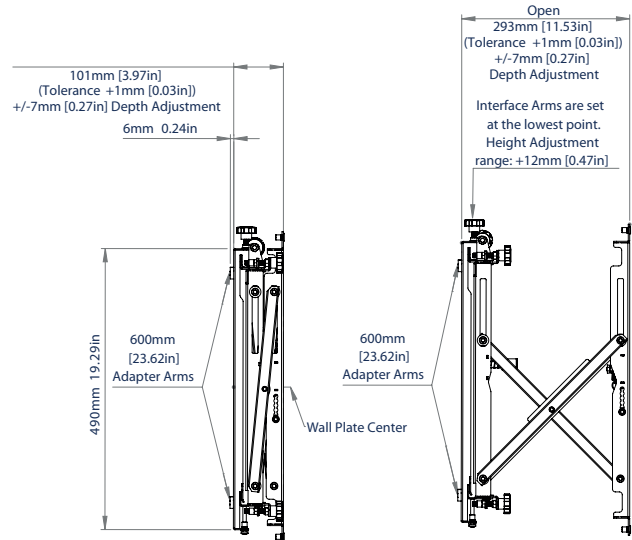


REAR VIEW



TOP VIEW CLOSED STATE

TOP VIEW OPEN STATE



SIDE VIEW CLOSED STATE

SIDE VIEW OPEN STATE

*Total depth increased to 107mm (+/-7mm micro-adjustment) when using VESA 600 x 400 adaptors
 **Total depth increased to 299mm (+/-7mm micro-adjustment) when using VESA 600 x 400 adaptors

ORDERING INFORMATION

COLOUR	ORDER REF	EAN
Black	BT8310XL/B	5019318071300

RELATED PRODUCTS

PRODUCT CODE	NAME	DESCRIPTION
BT8310-LK	Locking Kit for BT8310 & BT8310XL	Prevents unauthorised use of pop-out function
BT7565	Interface Adapter Arms	Additional Adaptor arms for increased VESA fixings up to 900
BT8312	Pop-Out Videowall Mount	Modular pop-out mounting solution for creating multi-screen videowalls
BT8309	Pop-Out Flat Screen Wall Mount	Pop-out mounting solution for smaller screens up to 42"

© 2016 B-Tech AV Mounts Corporation Ltd. All rights reserved.
 The information this specification sheet reflects the current technical specifications at the time of printing.
 We reserve the right to change the technical or physical specifications without prior notice. The B-Tech name and the B-Tech logo are registered trademarks of B-Tech AV Mounts Corporation Ltd.
 B-Tech is not responsible for loss or damage caused by improper installation or mounting on unstable structures. Any reproduction or use of information or specification of any part of this
 specification sheet is strictly prohibited unless prior written permission is granted by B-Tech AV Mounts Corporation Ltd. (BTL).
 SS-V1.1-BT8310XL-130226