

# BT8210

## ULTRA-SLIM FLAT SCREEN WALL MOUNT FOR SCREENS UP TO 55"

Designed for medium-large screens up to 110lbs, the ultra-slim BT8210 mounts screens just 0.55" from the wall and features post-installation screen alignment and simple 'hook-on' mounting. Our signature 'Torsion-Lock' security system adds an extra layer of protection against unauthorized screen removal. All necessary mounting hardware is included with the mount.

### SPECIFICATIONS


Recommended screen size	up to <b>55"</b>
Max load	<b>110lbs</b>
Universal fixings	up to <b>17.32" x 15.74"</b>
VESA® compatibility	up to <b>400 x 400</b>
Swivel at wall	<b>0.55"</b>

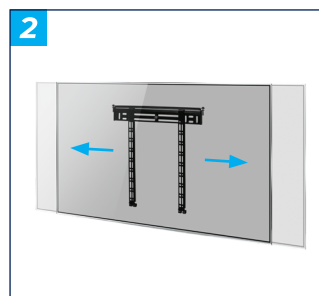


### FEATURES

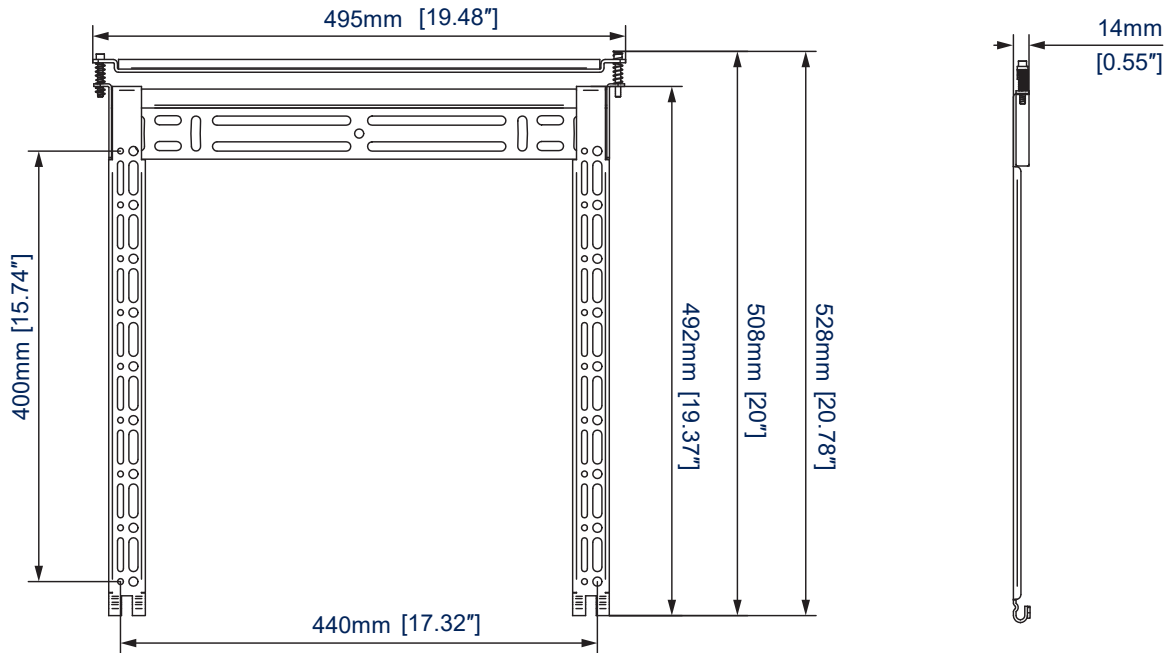
- 1 Ultra-slim design mounts screens only 0.55" from the wall
  - 2 Patented 'Torsion-Lock' security prevents un-authorized removal
  - 3 Post installation screen alignment for perfect screen positioning
  - 4 All mounting hardware included
- Suitable for concrete or brick walls
  - Low profile coach screws to allow the arms to slide along the rail
  - Security screws, Allen key and locking bars ensure a secure installation
  - Supplied pre-assembled to reduce install times
  - Simple 'hook-on' installation



RECOMMENDED MAX SCREEN	MAX LOAD	MAX VESA	POST INSTALL ALIGNMENT	QR CODE
55" 140cm	110lbs	400	← →	

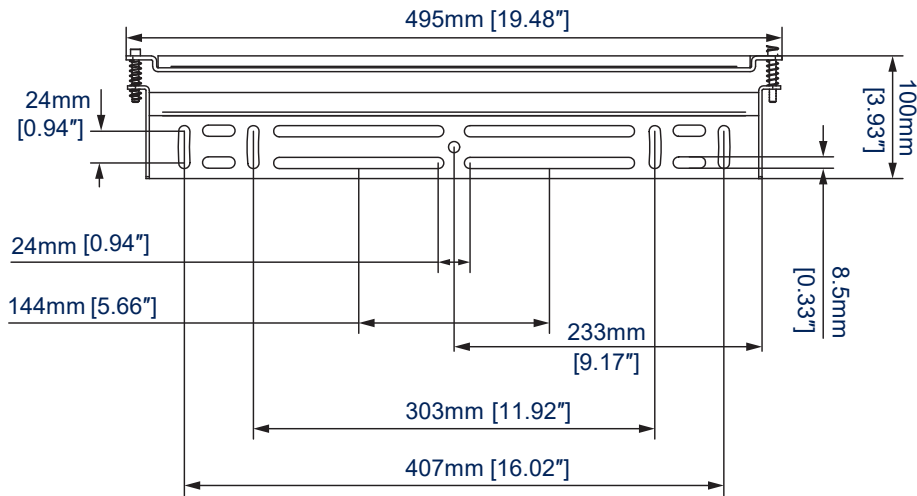


# BT8210



FRONT VIEW

SIDE VIEW



WALL PLATE  
FRONT VIEW

## ORDERING INFORMATION

COLOR	ORDER REF	UPC
Black	BT8210/B	811867034998

## RELATED PRODUCTS

PRODUCT CODE	NAME	DESCRIPTION
BT8200	Ultra-Slim Flat Screen Wall Mount	Ultra-Slim mounting solution for screens up to 47"
BT8220	Ultra-Slim Flat Screen Wall Mount	Ultra-Slim mounting solution for screens up to 80"
BT8431	Flat Screen Wall Mount with Tilt	Mounting solution with tilt function, for screens up to 55"
BTV513	Flat Screen Wall Mount with Double Arm	Mounting solution with tilt & swivel function, for screens up to 55"

© 2015 B-Tech AV Mounts, LLC. All rights reserved.  
 The information in this specification sheet reflects the current technical specifications at the time of printing.  
 We reserve the right to change the technical or physical specifications without prior notice. The B-Tech name and the B-Tech logo are registered trademarks of B-Tech AV Mounts, LLC. All other trademarks are the property of their respective owners.  
 B-Tech AV Mounts, LLC is not responsible for any damage caused by improper installation or mounting on unstable structures. Any reproduction or reuse of information or specification of any part of this specification sheet is strictly prohibited unless prior written permission is granted by B-Tech AV Mounts, LLC.

SS-V4-BT8210-110424-NA