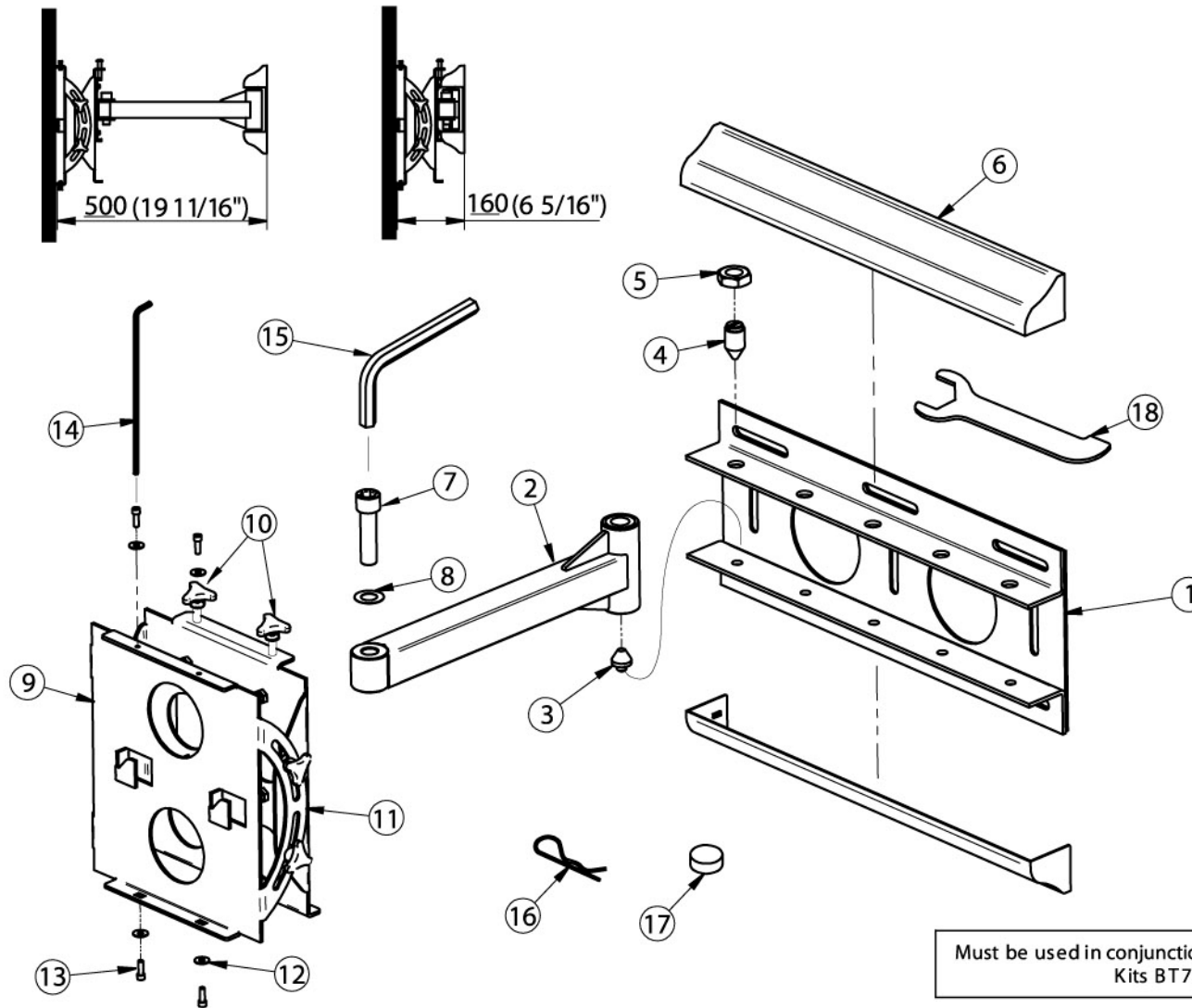




BT8005 SINGLE ARM FLAT PANEL WALL MOUNT

PARTS LIST



No	PART NAME	DESCRIPTION	QTY
1	WALL PLATE ASSEMBLY	MOUNTS TO THE WALL	1
2	SINGLE ARM ASSEMBLY	ATTACHES TO WALL PLATE	1
3	BOTTOM TAPER BEARING	INSERTS INTO BOTTOM HOLE	1
4	TOP TAPER BEARING	SCREWS INTO TOP HOLE	1
5	M20 LOCK NUT	LOCKS TO P BEARING (PART 4)	1
6	PLASTIC COVERS	CLIPS ON TO WALL PLATE	2
7	M16 X 60 CAP HEAD BOLT	ATTACHES END ASSEMBLY	1
8	M16*OD30*0.5 WASHERS	SITS UNDERNEATH TOP FLANGE	1
9	END ASSEMBLY	PROVIDES TILT + LEVELLING	1
10	LEVEL ADJUST HAND WHEELS	ADJUSTS HORIZONTAL LEVEL	2
11	TILT ADJUST HAND WHEELS	LOOSEN TO ADJUST TILT	4
12	M5*OD15*T1.0 WASHER	SITS UNDER PARTS 13	4
13	M5 X 12 SECURE ALLEN SCREW	SECURES INTERFACE KITS	4
14	4MM X 200 SECURE ALLEN KEY	TO TIGHTEN PARTS 13	1
15	14MM ALLEN KEY	TO TIGHTEN PART 7	1
16	SAFETY R-CLIP	INSERTS INTO BOLT (PART 7)	1
17	RUBBER PAD FOR ARM	STICKS ONTO WALL PLATE	1
18	COMBINATION SPANNER	TO TIGHTEN PARTS 4 + 5	1

PLEASE KEEP THIS PARTS LIST
FOR FUTURE REFERENCE

Must be used in conjunction with a B-Tech flat screen interface kit in order to attach your screen.
Kits BT7507, BT8600, BT8500 or BT8501 all sold separately.

B-Tech International Limited,
4 Meridian Centre, Croydon, CR0 9UG, UK.
Tel: +44 (0)844 800 0445 • Fax: +44 (0)844 800 0445.
Email: info@b-tech-int.com

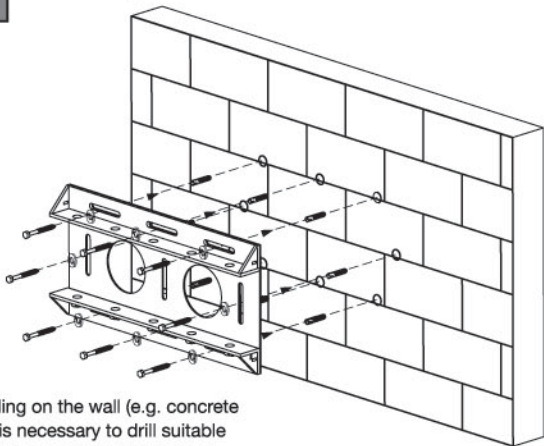
B-Tech Pro-AV bvba,
Brixtonlaan 32, Zaventem 1930, Brussels, Belgium.
Tel: +32 (0)2 720 92 71 • Fax: +32 (0)2 725 42 15.
Email: info@btechproav.com

B-Tech Audio Video Mounts
Buffalo, NY 14215, USA
Tel: 1 800 975 5812 • Fax: 1 800 592 2876
Email: info@btechavmounts.com

B-Tech International (Hong Kong) Ltd,
23/F Manulife Tower, North Point, Hong Kong.
Tel: (+852) 2556 7337 • Fax: (+852) 2556 7321.
Email: info@b-tech-int.com.hk

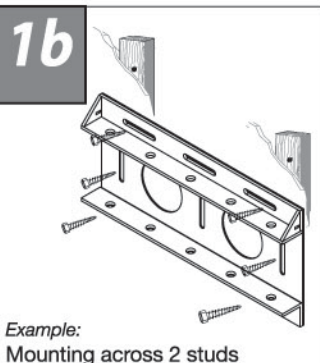
www.btechavmounts.com

1a Choose location for Wall Bracket
 Wall fixings not included*



Depending on the wall (e.g. concrete wall), it is necessary to drill suitable dowel/wall plug holes beforehand. Hold the wall plate against the wall (with the label including directional arrow facing towards you and upwards) and mark through the desired position for where to drill the holes. Screw locations and quantities are for illustrative purposes only and not all wall fixing screws may have been shown. Distribute screws as evenly as possible to spread the load. The bracket should be mounted to a concrete/ brick wall or stud wall (1b - a "stud locator"). If the only location is a concrete / brick wall, then it will be necessary to use suitable anchors. Holes are provided on the plate for feeding connecting cables through (only applicable when mounted on drywall).

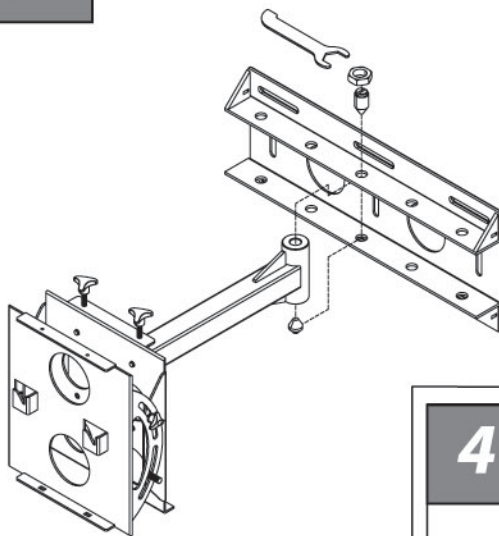
If you are unsure about mounting this product, please consult with a professional installer.



Example:
 Mounting across 2 studs

***Installer must satisfy themselves that the wall fixings used are suitable to support heavy loads.**

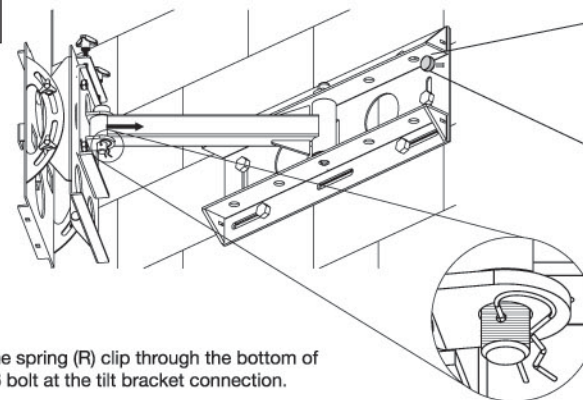
2 Mount Arm to Wall Bracket



Choose 1 of 5 mounting positions for arm. Select the most suitable mounting hole according to the location of the wall bracket. Insert bottom taper bearing into desired lower mounting hole before mounting arm.

Once arm is in place tighten top taper bearing by hand, then use supplied spanner to fully tighten. Add the M20 lock nut on the top bearing and fully tighten.

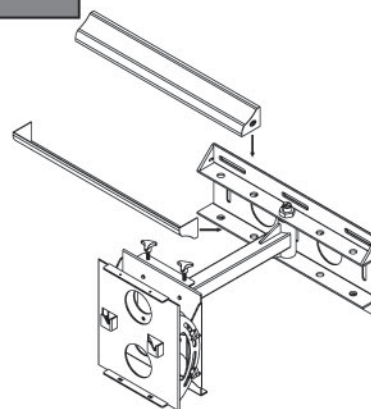
3 Insert Spring Clip and add Rubber Pad



Insert the spring (R) clip through the bottom of the M16 bolt at the tilt bracket connection.

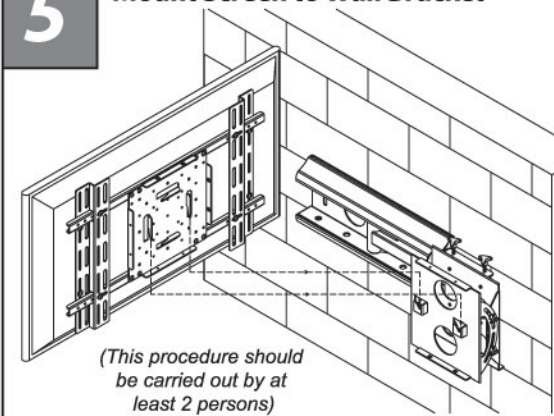
Place rubber pad on one end of the wall plate to cushion the sound when folding arm flat against the wall

4 Attach Coverplates to Wall Bracket



For correct placement ensure that the coverplate with the 'B-Tech' logo on the side is on top

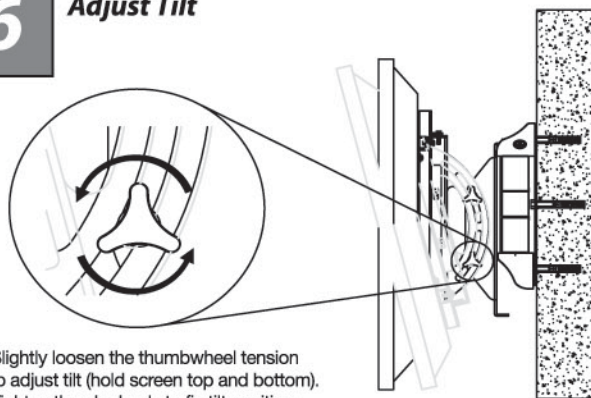
5 Mount Screen to Wall Bracket



(This procedure should be carried out by at least 2 persons)

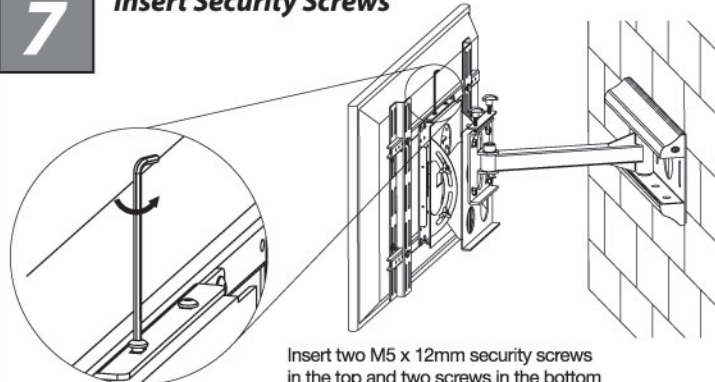
Flat Screen Interface Kit supplied separately
 Use BT7507, BT8600, BT8500 or BT8501

6 Adjust Tilt



Slightly loosen the thumbwheel tension to adjust tilt (hold screen top and bottom). Tighten thumbwheels to fix tilt position.

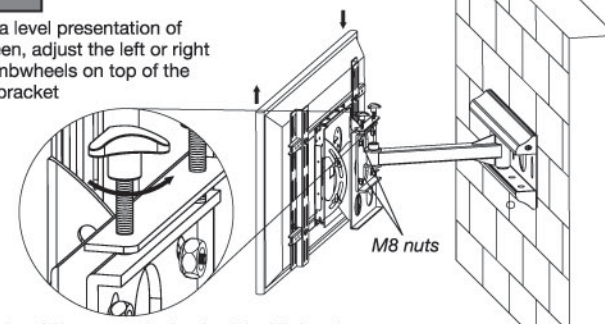
7 Insert Security Screws



Insert two M5 x 12mm security screws in the top and two screws in the bottom of the Interface bracket.

8 Horizontal Adjustment

For a level presentation of screen, adjust the left or right thumbwheels on top of the Tilt bracket



The four M8 nuts on the back of the Tilt bracket must be loosened before horizontal adjustment and then re-tightened.