

BT7807

HEAVY DUTY TWIN POLE CEILING / FLOOR MOUNT FOR Ø2" POLES

Made from heavy duty steel, the BT7807 is a robust, twin pole mounting solution designed to mount Ø2" poles to the floor or ceiling. Capable of supporting heavy loads, it is the ideal solution for heavy duty flat screen installations or complex configurations that feature multiple screens or AV components. Finished installations look neat and tidy thanks to plastic cover plates which are included as standard.



SPECIFICATIONS

Max load	440lbs*
Elevation / Drop	5.6"
Plate dimensions	16.8" x 5.9"
Color	Black

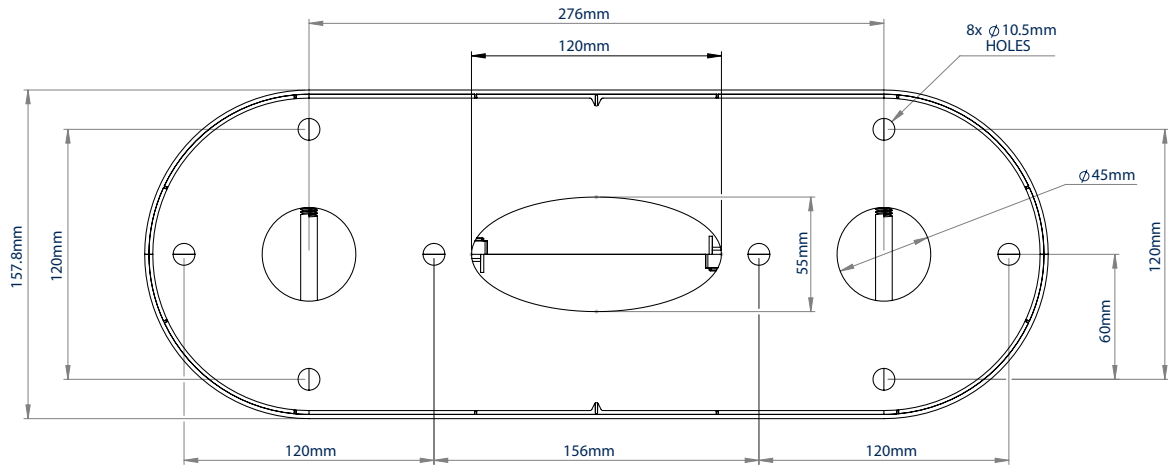
FEATURES

- 1** Ideal for ceiling mounting heavy duty screens which require extra-large mounts
- 2** Can be used to mount poles to the floor or ceiling
- 3** Integrated cable management to hide unsightly cables
- 4** Ideal for creating multi-screen pole mounted installations - such as video walls
- Can be used to mount two Ø2" poles to the ceiling or to the floor
- Heavy duty steel capable of supporting substantial loads
- Multiple grub screws allow micro-adjustment of the pole to ensure a perfectly angled drop, even with heavy loads attached
- Speeds up twin pole installations by eliminating the need to measure the distance between pole centres
- Includes cover plate for a neat and tidy installation

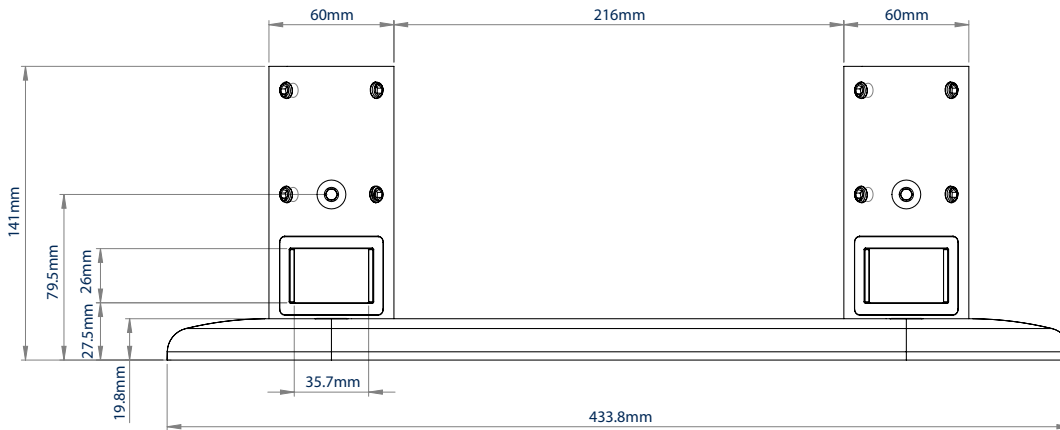


*Max load can be increased when being used as part of a floor to ceiling installation

BT7807



TOP VIEW WITH COVER PLATE



SIDE VIEW WITH COVER PLATE

ORDERING INFORMATION

COLOR	ORDER REF	BARCODE
Black	BT7807/B	5019318759659

RELATED PRODUCTS

PRODUCT CODE	NAME	DESCRIPTION
BT7850	Ø2" Poles	Designed for ceiling, floor or floor-to-ceiling installations, available up to 0.1"
BT7841	2" Accessory Collar	For fixing mounts & accessories to Ø2" poles
BT7822	Heavy Duty Ceiling Mount / Floor Mount	To mount any Ø2" pole to the ceiling or floor
BT7056	Floor Fixing Kit	For use in floor-to-wall or ceiling-to-floor installs

© 2015 B-Tech AV Mounts Co. Ltd. All rights reserved.
 The information in this specification sheet reflects the current technical specifications at the time of printing.
 We reserve the right to change the technical or physical specifications without prior notice. The B-Tech name and the B-Tech logo are registered trademarks of B-Tech AV Mounts Co. Ltd.
 B-Tech is not responsible for loss or damage caused by improper installation or mounting on unstable structures. Any reproduction or reuse of information or specification of any part of this
 specification sheet is strictly prohibited unless prior written permission is granted by B-Tech AV Mounts Co. Ltd. 12061E

SS-V2-BT7807-080725