

# BT7613

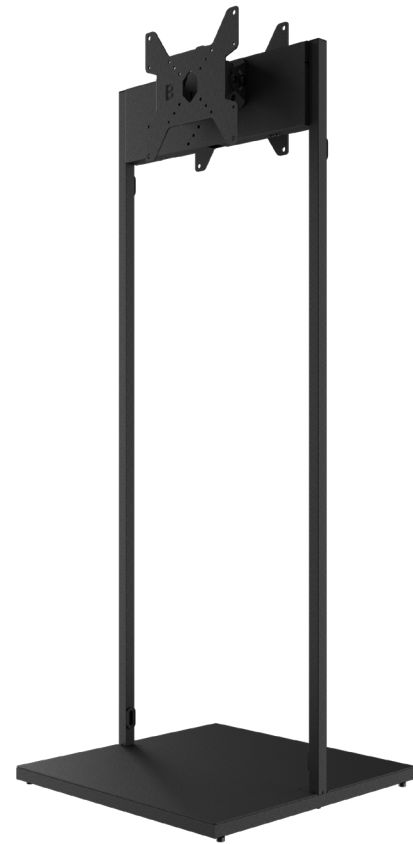
## BACK-TO-BACK UNIVERSAL E-PAPER STAND WITH TILT

The **BT7613** is a stylish freestanding floor stand designed to hold two E-Paper displays back-to-back. With its minimalist aesthetic and practical design, it provides an elegant solution for presenting content to audiences on both sides, making it ideal for open public and commercial spaces. The stand is supplied with all required mounting components for a quick and straightforward installation with options to remove the base cover or to bolt the stand directly to the floor. Perfect for retail, wayfinding, and digital signage, the BT7613 maximises visibility to deliver maximum impact within a compact footprint.

### SPECIFICATIONS

Max recommended screen size	<b>43"</b>
Max load per screen	<b>22lbs (15lbs with base cover removed)</b>
VESA® fixings	up to <b>200 x 200</b>
Tilt in portrait orientation*	<b>10° upward / 10° downward</b>
Tilt in landscape orientation*	<b>20° upward / 20° downward</b>
Stand dimensions	W: <b>18.5"</b> H: <b>49.8"</b> D: <b>18.5"</b>
Max storage area load	<b>2lbs</b>
Storage area dimensions	W: <b>7.5"</b> H: <b>4.3"</b> D: <b>1.1"</b>
Height adjustable feet	<b>+0.6"</b>
Color	<b>Black or White</b>

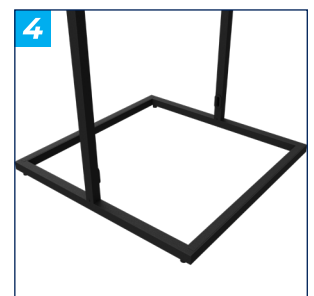
\*Tilt may be limited by display size



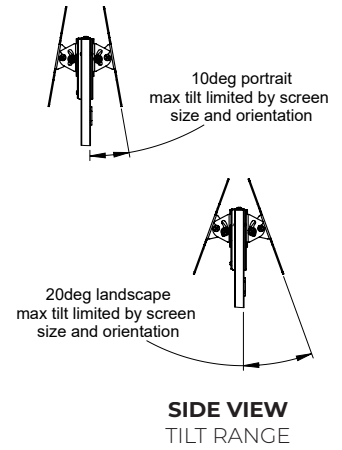
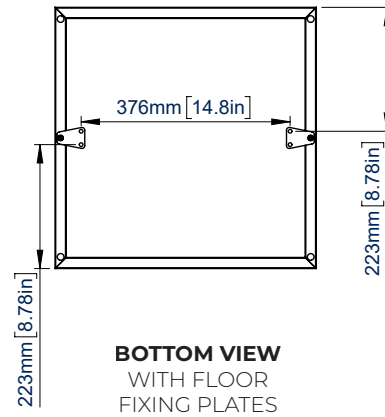
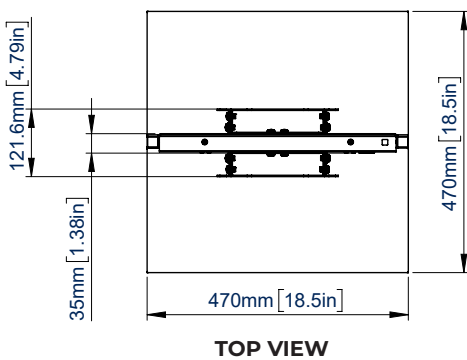
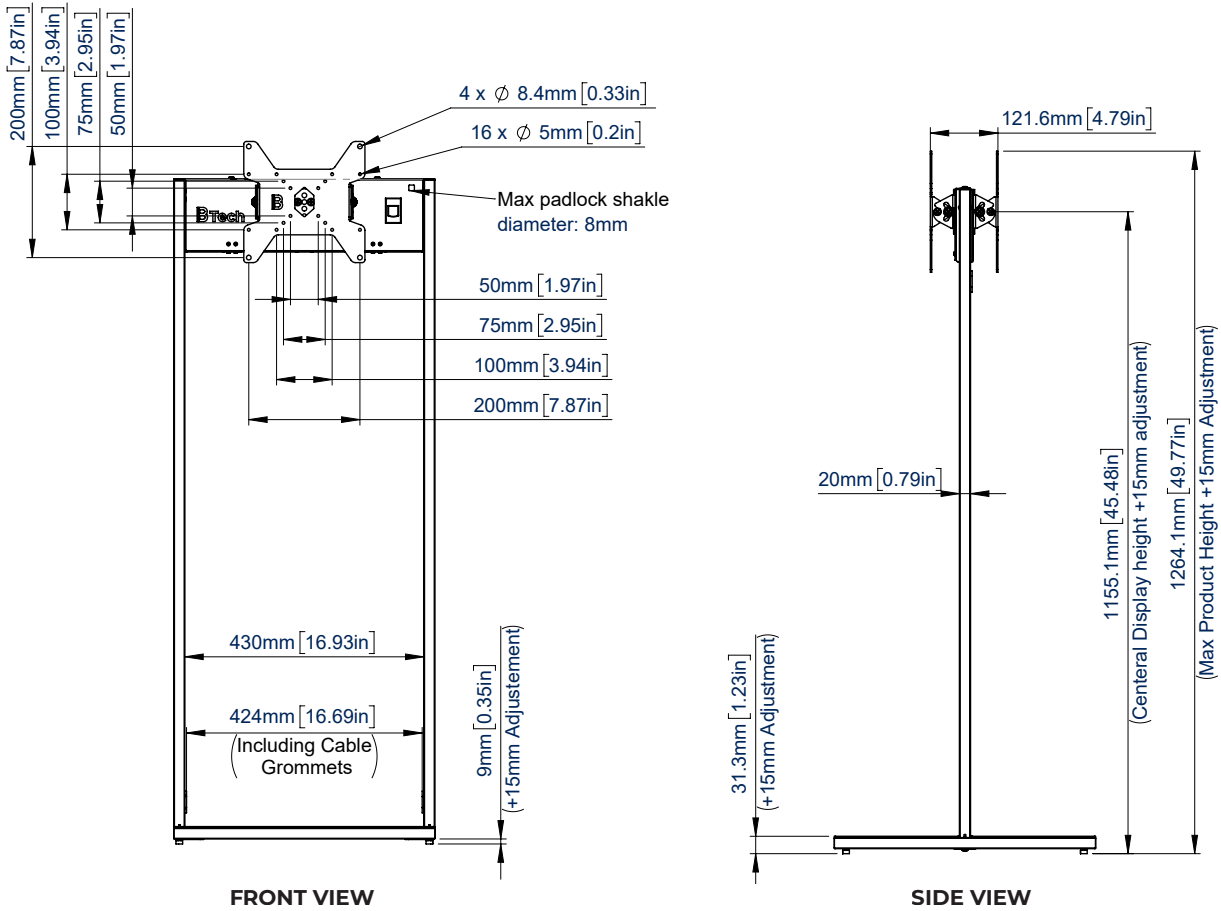
### FEATURES

- 1** Back-to-back stand available in Black or White colour options
- 2** Simple tilt adjustment for optimal viewing angles
- 3** Lockable storage compartment provides access for connecting devices
- 4** For an alternative aesthetic, use without optional base cover
  - Mounts screens in both portrait and landscape orientation
  - Built-in cable management
  - Kensington Lock slot (lock not included) for enhanced theft protection
  - Floor-fix capability if required (fixings not included)
  - Height-adjustable feet ensure stability on uneven surfaces
  - Provision for fixing a lighting bar
  - For indoor use only
- 100% plastic free packaging**

RECOMMENDED MAX SCREEN	MAX LOAD	MAX VESA	TILT (PORTRAIT)	TILT (LANDSCAPE)	COLOR OPTIONS	PLASTIC FREE PACKAGING	QR CODE
43" 109cm	22lbs per screen	200 x 200	10° 10°	20° 20°	Black / White		



# BT7613



## ORDERING INFORMATION

COLOR	ORDER REF	BARCODE
Black	BT7613/B	5019318310218
White	BT7613/W	5019318310225

## RELATED PRODUCTS

PRODUCT CODE	NAME	DESCRIPTION
BT7612	Universal E-Paper Stand with Tilt	Mounts a single E-Paper display or standard screen
BT7612-ICS	Input Cover for Samsung E-Paper Stand	Use in conjunction with BT7612 to add an Input Cover Shield
BT7611	Universal E-Paper Wall Mount with Tilt	Mount an E-Paper display directly to the wall
BT7611-ICW	Input Cover for Samsung E-Paper Wall Mount	Use in conjunction with BT7611 to add an Input Cover Shield

© 2015 B-Tech AV Mounts Corporation Ltd. All rights reserved. The information in this specification sheet reflects the current technical specifications at the time of printing. We reserve the right to change the technical or physical specifications without prior notice. The B-Tech name and the B-Tech logo are registered trademarks of B-Tech AV Mounts Corporation Ltd. B-Tech is a registered trademark of B-Tech AV Mounts Corporation Ltd. All other trademarks are the property of their respective owners. B-Tech AV Mounts Corporation Ltd. is not responsible for any damage caused by improper installation or use of the product. Any reproduction or use of the information in this specification sheet is strictly prohibited unless prior written permission is granted by B-Tech AV Mounts Corporation Ltd.