

BT7542

INTERFACE ADAPTOR ARMS FOR VESA[®] 200 X 100 & 200 X 200

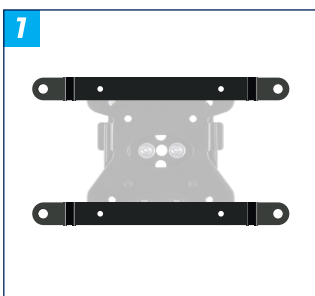
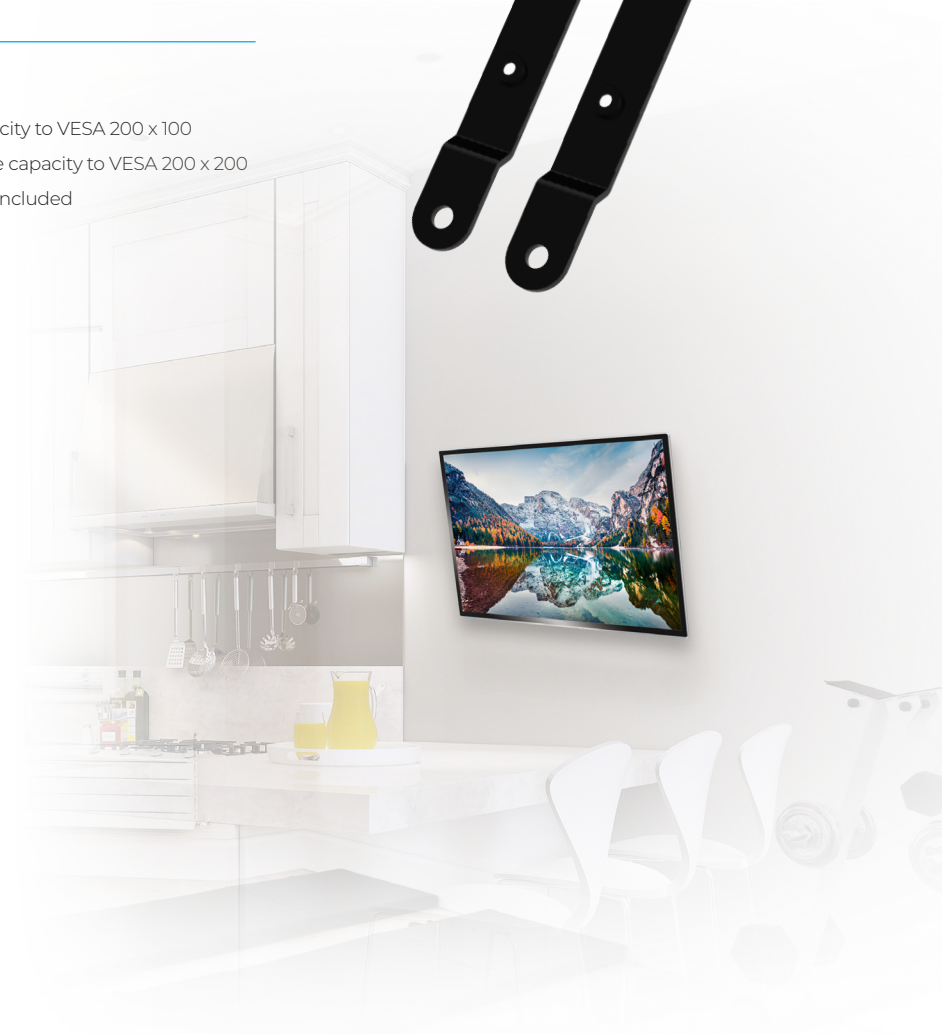
Designed to increase the screen mounting pattern of a VESA 100 interface to 200 x 100 or a VESA 200 x 100 interface to a 200 x 200. The BT7542 adaptor arms easily fix onto a screen mount with the slimline design ensuring the depth of the install is kept to a minimum.

SPECIFICATIONS

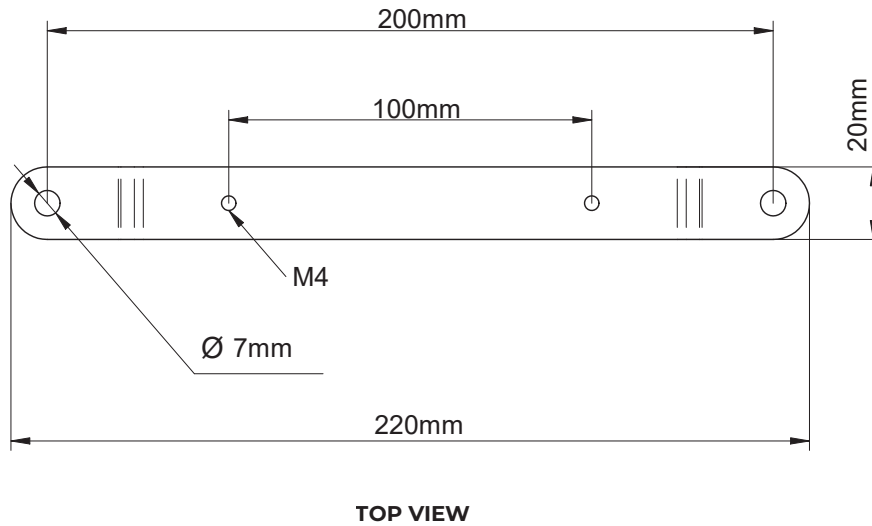
VESA [®] compatibility	200 x 100 and 200 x 200
Max load	Dependant on mount to which the BT7542 is attached
Depth increase to the install	0.3"
Color	Black

FEATURES

- 1 Attaches to VESA 100 interfaces to increase capacity to VESA 200 x 100
- 2 Attaches to VESA 200 x 100 interfaces to increase capacity to VESA 200 x 200
- Simple installation with all mounting hardware included



BT7542



ORDERING INFORMATION

COLOR	ORDER REF	BARCODE
Black	BT7542/B	5019318079184

RELATED PRODUCTS

PRODUCT CODE	NAME	DESCRIPTION
BT7540	Interface Adaptor Arms	Designed for VESA® 300 x 200 and 400 x 200
BT7510	Flat Screen Wall Mount	Designed for VESA® 50, 75, or 100 fixings
BT7502	Interface Adaptor Plate	Designed for VESA® 200 x 100 and VESA® 200 x 200
BT7564	Interface Adaptor Arms	Designed for VESA® 600 x 400

© 2018 B-Tech AV Mounts Corporation Ltd. All rights reserved.
 The information this specification sheet reflects the current technical specifications at the time of printing.
 We reserve the right to change the technical or physical specifications without prior notice. The B-Tech name and the B-Tech logo are registered trademarks of B-Tech AV Mounts Corporation Ltd.
 B-Tech is not responsible for loss or damage caused by improper installation or mounting on unsuitable structures. Any reproduction or reuse without our express permission is prohibited.
 Specification sheet is strictly confidential unless prior written permission is granted by B-Tech AV Mounts Corporation Ltd. B-Tech