

BT7540

INTERFACE ADAPTOR ARMS FOR VESA[®] 300 X 200 & 400 X 200

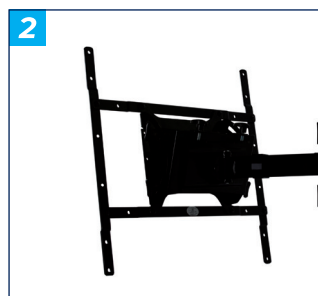
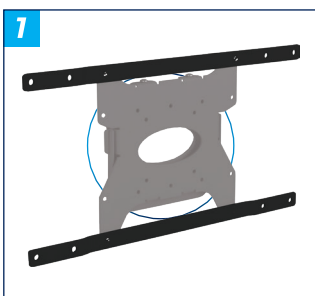
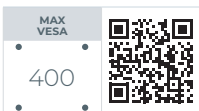
Designed to increase the VESA mounting pattern of smaller mounts to accommodate larger screens, the BT7540 allows VESA 200 fixings to be increased to VESA 300 or 400. These adaptor arms keep the depth of the install to a minimum and can be used with a large variety of existing B-Tech products. All mounting hardware included.

SPECIFICATIONS

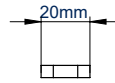
VESA [®] compatibility	300 x 200 and 400 x 200
Max load	Dependant on mount to which the BT7540 is attached
Depth increase to the install	0.3"
Colour	Black

FEATURES

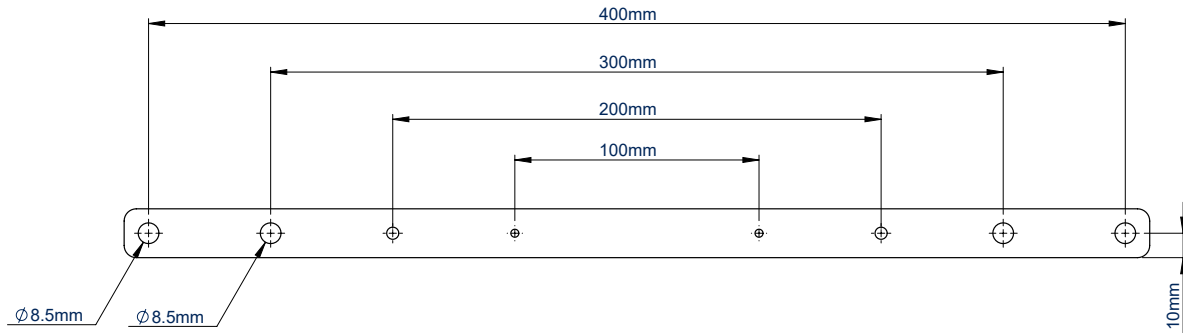
- 1 Attaches to VESA 200 interfaces, increasing VESA mounting range to VESA 300 x 200 or 400 x 200
 - 2 Use 2 sets of BT7540 to increase VESA mounting pattern to 400 x 400mm
- MB screen fixing screws included
 - Arms can also mount to a VESA 100 mount if necessary



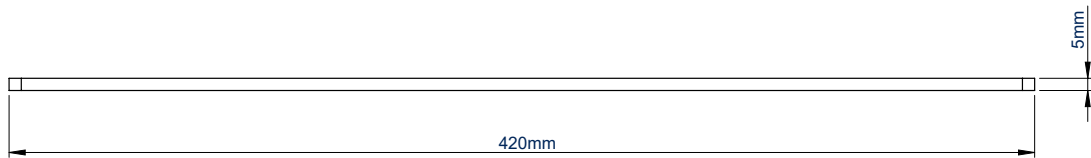
BT7540



SIDE VIEW
WIDTH



TOP VIEW



SIDE VIEW
HEIGHT

ORDERING INFORMATION

COLOR	ORDER REF	BARCODE
Black	BT7540/B	5019318079030

RELATED PRODUCTS

PRODUCT CODE	NAME	DESCRIPTION
BT7542	Interface Adaptor Arms	Designed for VESA® 200 x 100 and 200 x 200
BT7502	Interface Adaptor Plate	Designed for VESA® 200 x 100 and 200 x 200
BT7532	Ultra-Slim Flat Screen Wall Mount	Designed for close to the wall installation
BT7564	Interface Adaptor Arms	Designed for VESA® 600 x 400

© 2015 B-Tech AV Mounts Corporation Ltd. All rights reserved.
 The information in this specification sheet reflects the current technical specifications at the time of printing.
 We reserve the right to change the technical or physical specifications without prior notice. The B-Tech name and the B-Tech logo are registered trademarks of B-Tech AV Mounts Corporation Ltd.
 B-Tech is not responsible for loss or damage caused by improper installation or mounting on unstable structures. Any reproduction or reuse of information or any part of this specification sheet is strictly prohibited unless prior written permission is granted by B-Tech AV Mounts Corporation Ltd. B-Tech.

SS-V2-BT7540-010725