

# BT7519

## vantage • compact 200

# B Tech<sup>®</sup>

AV Mounts

## vantage

### FLAT SCREEN WALL MOUNT WITH TILT & SWIVEL

The **BT7519** is a versatile wall mount that allows flat screen displays to be securely installed just 70mm from the wall while still providing smooth tilt adjustment for optimal viewing. Featuring B-Tech's UltraGlide Tilt technology, the screen angle can be adjusted easily without the need for tools. Cover plates are included to conceal fixings and create a clean, professional finish. Suitable for both commercial and home installations, the BT7519 can also be used with B-Tech's System 2 poles and collars, offering additional mounting flexibility when required.

#### SPECIFICATIONS

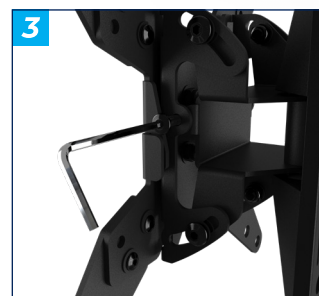
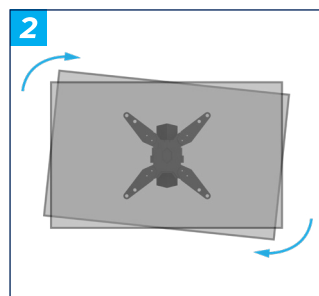
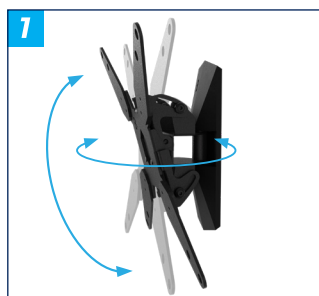
Recommended screen size	up to <b>47"</b>
Max load	<b>30kg</b>
VESA compatibility	up to <b>200 x 200</b>
Tilt adjustment	<b>+17° / -10°</b>
Swivel at wall	<b>+/- 40°</b>
Screen levelling	<b>+/- 6°</b>
Distance from wall	<b>70mm</b>

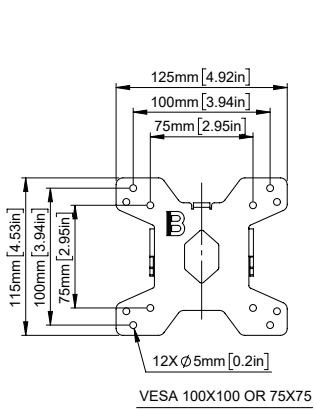
#### FEATURES

- 1 B-Tech's **UltraGlide Tilt & Swivel** technology provides smooth, tool-free tilt adjustment, allowing quick and easy changes to the viewing angle
  - 2 Screen levelling after installation enables small adjustments to correct screen alignment once mounted
  - 3 Security locking screws & Allen key provided for a secure installation
  - 4 Compatible with B-Tech's System 2 range, including direct mounting to BT7052 Collars for pole-mounted installations
- Modern slimline design with cover plates included that conceal all fixings for a smart finish
  - Keyhole wall plate fixings allow single-screw hanging for easy positioning before fixing into place with additional screws
  - Wall plate designed with a flat edge for easy spirit-level alignment during installation
  - Simple 'hook-on' installation
  - All mounting hardware included
  - **100% plastic free packaging**

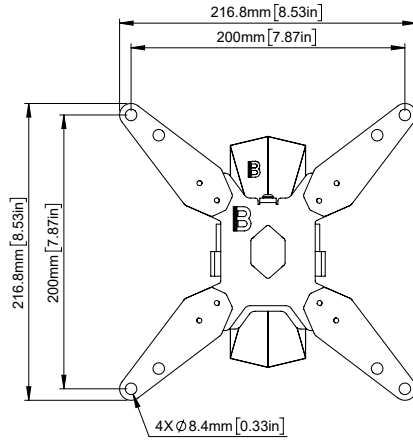


RECOMMENDED MAX SCREEN	MAX LOAD	MAX VESA	TILT	SWIVEL	COLLAR COMPATIBLE	PLASTIC FREE PACKAGING	QR CODE
47" 119cm	30kg	200 x 200	17° 10°	40° 40°			

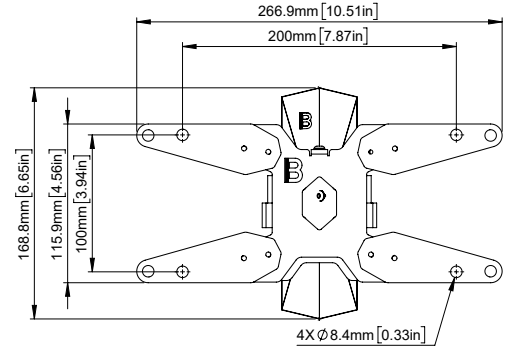




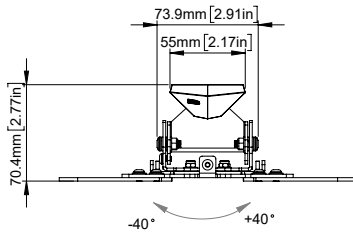
**FRONT VIEW**  
FOR VESA 75 UP TO 100  
FIXINGS



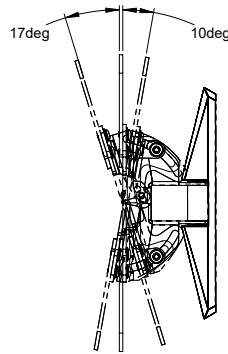
**FRONT VIEW**  
FOR VESA 200  
FIXINGS



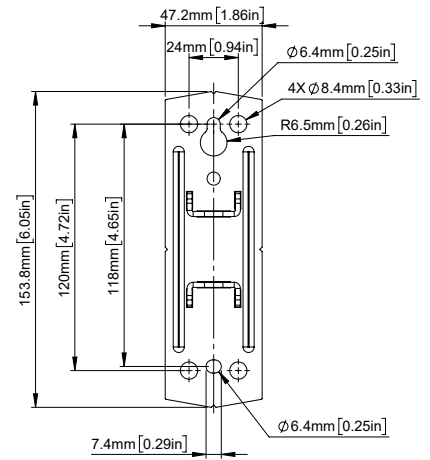
**FRONT VIEW**  
FOR VESA 200 X 100  
FIXINGS



**TOP VIEW**  
SWIVEL RANGE



**SIDE VIEW**  
TILT RANGE



**FRONT VIEW**  
WALL PLATE

**ORDERING INFORMATION**

COLOUR	ORDER REF	EAN
Black	BT7519/B/V2	5019318310485

**RELATED PRODUCTS**

PRODUCT CODE	NAME	DESCRIPTION
BT7512	Single Arm Flat Screen Wall Mount with Tilt & Swivel	Designed for screens up to 28"
BT7513	Double Arm Flat Screen Wall Mount with Tilt & Swivel	Designed for screens up to 28"
BT7514	Single Arm Flat Screen Wall Mount with Tilt & Swivel	Ideal for larger screens up to 47"
BT7518	Flat Screen Wall Mount with Tilt & Swivel	Ideal for larger screens up to 28"

© 2016 B Tech, AV Mounts Corporation Ltd. All rights reserved.  
The information this specification sheet reflects the current technical specifications at the time of printing.  
We reserve the right to change the technical or physical specifications without prior notice. The B Tech name and the B Tech logo are registered trademarks of B Tech, AV Mounts Corporation Ltd.  
B Tech is not responsible for loss or damage caused by improper installation or mounting on unstable structures. Any reproduction or use without our written permission is prohibited.  
Specification sheet is strictly for reference. Contact your nearest sales representative for more information or to purchase this product.  
SS-V1-BT7519-V2-260326