

# AVIBALL LCD SCREEN MOUNT WITH TILT AND SWIVEL

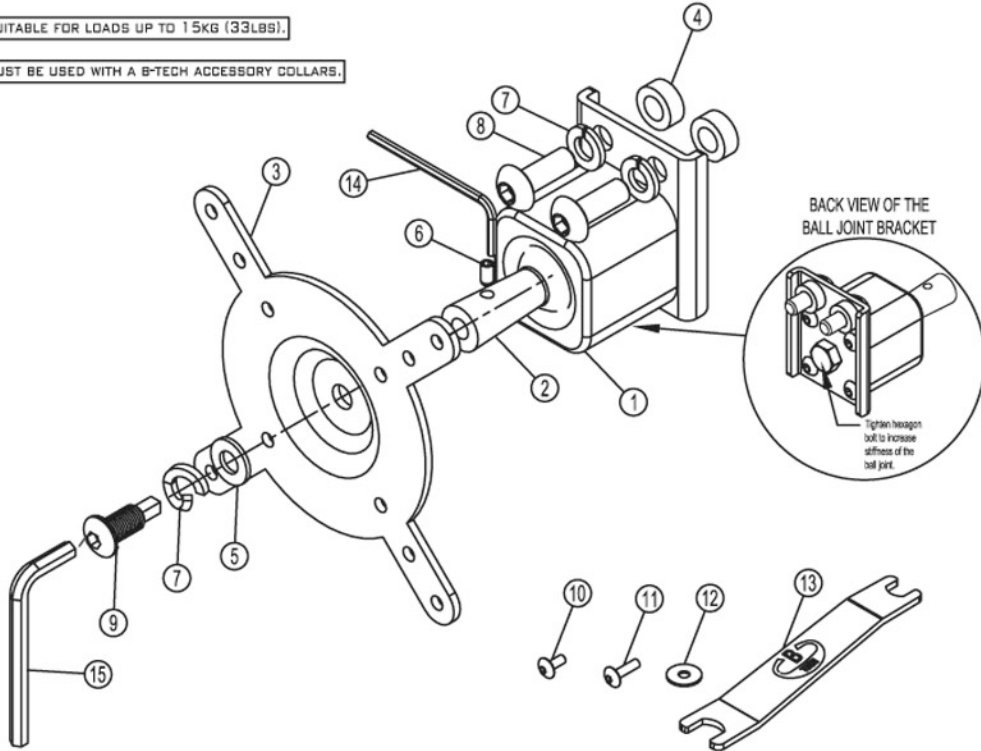
## PARTS LIST

**BT 7519 - 820**

THIS PACK CONTAINS 1 LCD SCREEN MOUNT.  
PLEASE KEEP THIS PARTS LIST FOR FUTURE REFERENCE

SUITABLE FOR LOADS UP TO 15KG (33LBS).

MUST BE USED WITH A B-TECH ACCESSORY COLLARS.



PART NUMBER	PART NAME	QUANTITY
1	MOUNTING BRACKET	1
2	BALL JOINT ARM	1
3	LCD VESA PLATE	1
4	Ø8.5mm Ø13mm T6.0mm AL SPACER	2
5	Ø5/16" Ø16mm T1.6mm WASHER	1
6	M5 x 7mm BRAKE SCREW	1
7	M8 SPRING WASHER	3
8	M8 x 20mm ALLEN SCREW	2

PART NUMBER	PART NAME	QUANTITY
9	M8 x 23mm SQUARE END ALLEN SCREW	1
10	M4 x 10mm ALLEN SCREW	4
11	M4 x 15mm ALLEN SCREW	1
12	Ø5mm Ø15mm T1.0mm WASHER	1
13	10mm / 13mm SPANNER	1
14	M2.5 ALLEN KEY	1
15	M5 ALLEN KEY	1

© COPYRIGHT 2008

For more information on B-Tech Audio Video Mounts  
please visit: [www.btechavmounts.com](http://www.btechavmounts.com)

BT7519-820

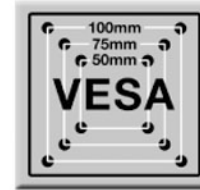
BT7519-820  
OR1BX v.0108

# AVIBALL™

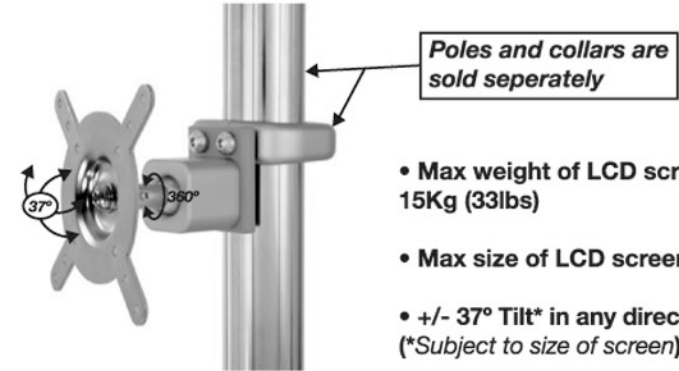
## AVIBALL LCD SCREEN MOUNT WITH TILT AND SWIVEL

### ASSEMBLY AND INSTALLATION

THIS PACK CONTAINS 1 LCD SCREEN MOUNT.



Designed for LCD screens  
with VESA® Standard  
mounting patterns:  
50mm x 50mm,  
75mm x 75mm,  
100mm x 100mm



- Max weight of LCD screen 15Kg (33lbs)
- Max size of LCD screen 23"
- +/- 37° Tilt\* in any direction (\*Subject to size of screen)

#### Important Safety Instructions:

**Do not install this product until the instructions and warnings have been read and understood thoroughly. Please keep these instructions for future reference.**

Due to the weight of LCD screens and their fragile nature, B-Tech recommends that a professional installer is used when mounting this bracket. If you do not understand the instructions provided, or are not sure how to install this product, please contact a professional for advice and /or to install this mount. Failure to mount this bracket correctly may lead to serious injury and / or death. Please pay careful attention to where this mount is located. Some walls are not suitable for installation. If you install this mount on drywall it must be anchored into a wood stud, concrete block or brick behind the drywall. It is not suitable for securing to steel studs or weak concrete / brick. Installing on drywall alone will not support the weight of a LCD screen.

Ensure sufficient space and safety distance is allowed when installing this product. If installing in a public area, or over the likely path of pedestrians, this product should be mounted as far as possible from the public / pedestrians.

When drilling holes it is particularly important to take care of electrical cables, water or gas pipes in the wall.

It is important that all fixing screws supplied are used. If the fixing screws included are not sufficient for the wall you are mounting this product on, please consult your local hardware store.

The screen attached must weigh no more than the recommended weight of 15 Kg (33lbs).

This mount must be mounted on a wall horizontally to prevent free motion due to the weight of the screen when adjusting the position. Ensure that when installing your screen on this mount, that the correct viewing distance and angles are observed, as well as avoiding any direct or reflected glare including glare from electric lighting etc. If there is any doubt, consult the instruction manual of your screen.

Proper attention should be paid when laying the connecting cables so that they do not cause a hazard. Pay careful attention to moving parts of the bracket, especially when assembling and adjusting, as fingers (or other body parts) may become trapped. The screen may have free motion due to its own weight. It is recommended that periodic inspections are made of the mount to ensure that there is no change to the fixings or mount. When cleaning the mount, use dry cloth only. B-Tech International Limited, its distributors and dealers are not liable or responsible for damage or injury caused by improper installation. Improper use or failure to observe these safety instructions. In such cases any guarantee will expire.

**CAUTION:** This wall mount is intended for use only with the maximum weights indicated. Use with heavier than the maximum weights indicated may result in instability causing possible injury

© COPYRIGHT 2008 For more information on B-Tech Audio Video Mounts please visit: [www.btechavmounts.com](http://www.btechavmounts.com)

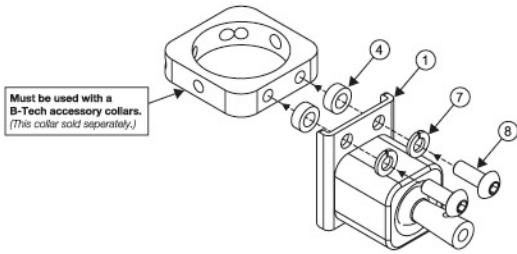


**B-Tech International Limited**  
Long March, Daventry,  
Northants, NN11 4NR, U.K.  
info@b-tech-int.com

**B-Tech Audio Video Mounts**  
Sparks, NV. 89431, USA  
info@btechavmounts.com

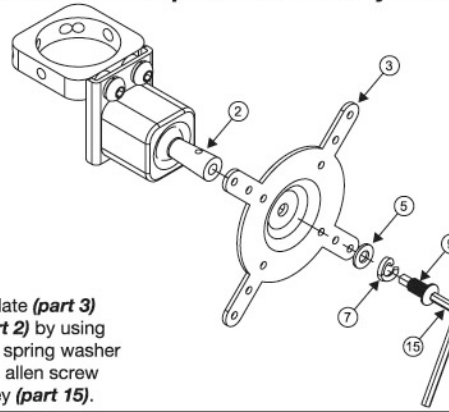
Patent Application  
No: GB0610754.1  
Made in China

**1 Assemble the mounting bracket on the collar.** (Collars sold separately)



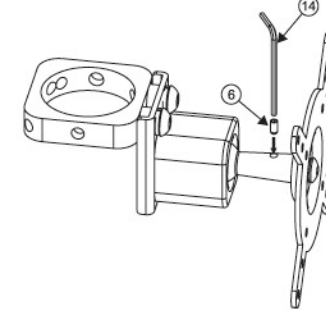
Assemble the mounting bracket (part 1) on the collar using aluminium spacers (part 4), M8 spring washers (part 7) and M8 allen screws (part 8).

**2 Attach the LCD VESA plate to the ball joint arm.**



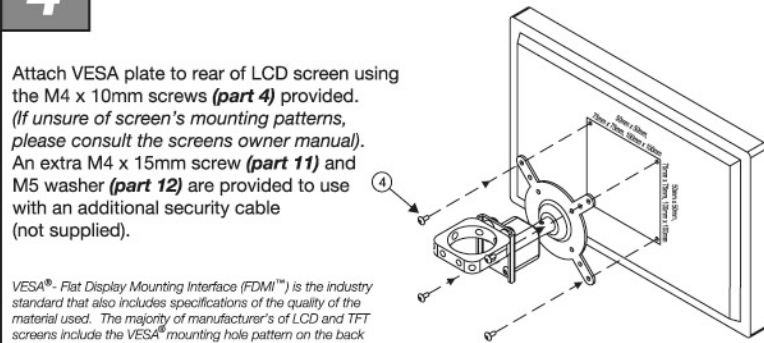
Attach the LCD VESA plate (part 3) to the ball joint arm (part 2) by using M8 washer (part 5), M8 spring washer (part 7), M8 square end allen screw (part 9) and M5 allen key (part 15).

**3 Fasten the brake screw into ball joint arm.**



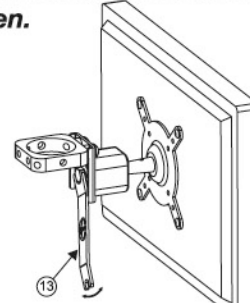
Fasten the brake screw (part 6) into ball joint arm (part 2). (This will stop VESA plate from unnecessarily rotating once mount is installed)

**4 Attach VESA plate to rear of LCD screen.**



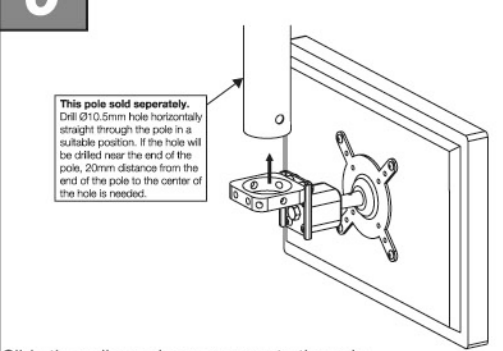
VESA® - Flat Display Mounting Interface (FDMI™) is the industry standard that also includes specifications of the quality of the material used. The majority of manufacturers of LCD and TFT screens include the VESA® mounting hole pattern on the back panel of their monitors. The BT7519-820 adaptor plate is designed for VESA® MIS-D mounting fixings of 100mm x 100mm, 75mm x 75mm or 50mm x 50mm.

**5 Adjust the M8 bolt to fix the motion of the screen.**



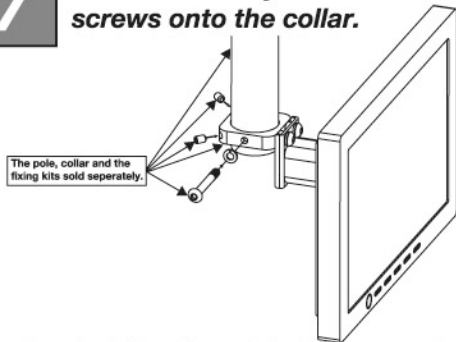
Using supplied spanner (part 13) adjust the M8 bolt on rear of mounting bracket (part 1) to increase stiffness of the ball joint. The stiffness of arm should be able to hold the weight of the screen without any free motion yet be able to rotate the screen when minimum force is applied.

**6 Slide the collar up onto the pole.**



Slide the collar and screen up onto the pole. (This procedure may require 2 persons.)

**7 Insert the safety bolt and fasten the brake screws onto the collar.**



Insert the safety bolt and fasten the brake screws onto the collar, securing mount to extension pole. (The fixing kit of the collar sold separately. This procedure may require 2 persons.)

**8 Adjust the M8 hexagon bolt to rotate the screen in any direction.**

The ball joint arm allows the screen to move freely 37° in any direction. Once screen is adjusted to preferred angle, use the spanner (part 13) to make a small adjustment of the M8 bolt to lock screen in position.

