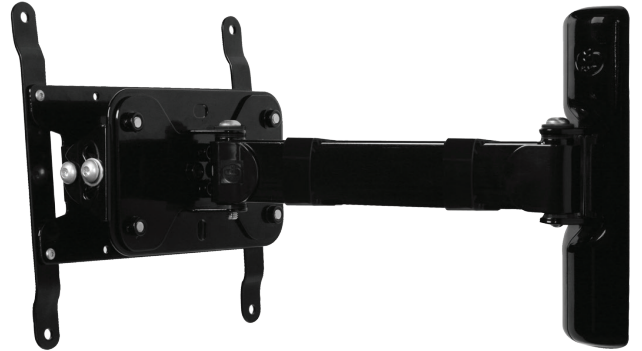


BT7514

SINGLE ARM FLAT SCREEN WALL MOUNT WITH TILT & SWIVEL

Designed to mount medium sized flat screens, the BT7514 features a single swivel arm with easy tilt adjustment. The wall plate features 'OWLS' on wall levelling system to ensure a straight and smart installation. The BT7514 is also compatible with B-Tech's range of poles and collars, increasing the number of different ways it can be mounted, ideal for commercial applications as well as home installations. Security screws are provided to help prevent unauthorized removal of the screen.



SPECIFICATIONS

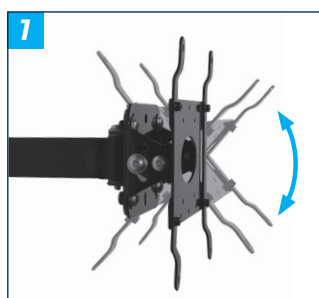
Recommended screen size	up to 47"
Max load	25kg
VESA® compatibility	up to 200 x 200
Tilt	+/-40°
Swivel	180° (at wall)
Distance from wall	min: 95mm - max: 336mm

FEATURES

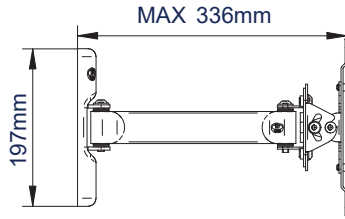
- 1 Easy tilt and swivel adjustment
 - 2 Includes Security locking screws and Allen key
 - 3 Alternative short arm included
 - 4 Includes CLIPLOGIC® cable management
- Features two swivel points: 180° at wall and 240° at interface
 - Folds flat to the wall
 - Features On Wall Levelling System for perfect mounting
 - Coverplates included for a neat and tidy installation
 - Simple 'hook-on' installation with all mounting hardware included



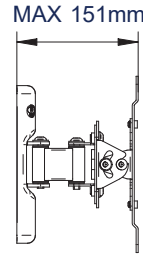
RECOMMENDED MAX SCREEN	MAX LOAD	MAX VESA	TILT	SWIVEL	QR CODE
47" 119cm	25kg	200	40° 40°	180°	



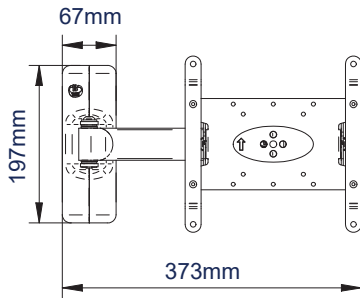
BT7514



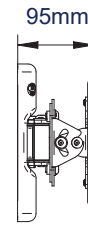
FRONT VIEW
MAXIMUM EXTENSION



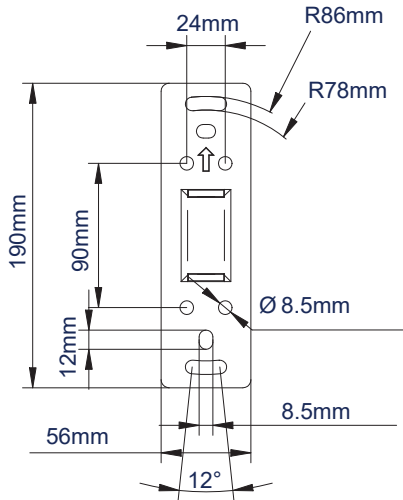
SIDE VIEW
MAXIMUM EXTENSION



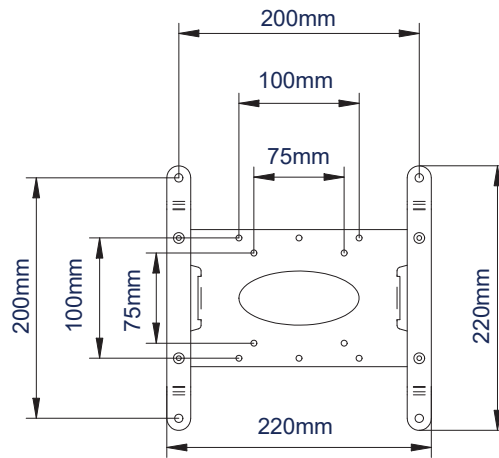
FRONT VIEW
FOLDED TO WALL



SIDE VIEW
FOLDED TO WALL



FRONT VIEW
WALL PLATE



FRONT VIEW
INTERFACE PLATE

ORDERING INFORMATION

COLOUR	ORDER REF	EAN
Black	BT7514/B	5019318750137

RELATED PRODUCTS

PRODUCT CODE	NAME	DESCRIPTION
BT7532	Fixed Flat Screen Wall Mount	For screens up to 47"
BT7515	Double Arm Flat Screen Wall Mount	For screens up to 47"
BT7841	Accessory Collar	Attaches the mount to Ø50mm poles
BTV514	Double Arm Flat Screen Wall Mount with Tilt & Swivel	For screens up to 60"

© 2014 B-Tech AV Mounts Co. Ltd. All rights reserved.
The information this specification sheet reflects the current technical specifications at the time of printing.
We reserve the right to change the technical or physical specifications without prior notice. This B-Tech name and the B-Tech logo are registered trademarks of B-Tech AV Mounts Co. Ltd.
B-Tech is not responsible for any damage or loss of data caused by improper installation or mounting on unstable structures. Any reproduction or use of information or specification of any part of this specification sheet is strictly prohibited unless prior written permission is granted by B-Tech AV Mounts Co. Ltd. 120612

SS-V7-BT7514-060824