

BT7372

SINGLE ARM DESK MOUNT WITH TILT & SWIVEL

The BT7372 is a single arm desk mount made from durable aluminum with an anodized, polished finish. Suitable for use with screens up to 28", the arm features two swivel points plus 360° screen rotation at the interface, making this desk mount perfect for portrait or landscape mounting. The mount can be easily fixed to the rear or side of a desk or through a grommet hole and the integrated cable management ensures a neat and tidy installation.

SPECIFICATIONS

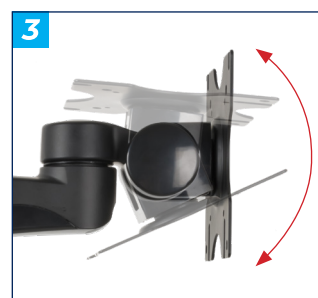
Recommended screen size	up to 32"
Max load	20lbs
VESA® compatibility	75 x 75 & 100 x 100
Tilt	+ 65° / - 90°
Swivel at pole	360°
Swivel at interface	220°
Screen rotation	360°
Max extension	9"
Color	Black

FEATURES

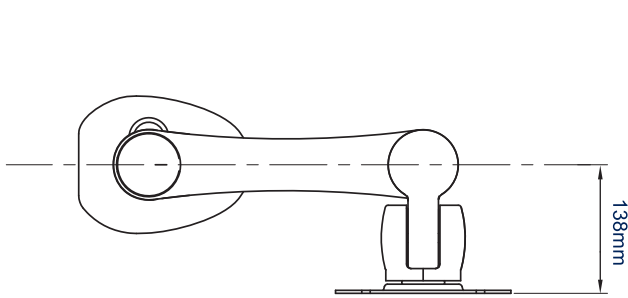
- 1 Integrated cable management for a neat and tidy installation
 - 2 Supplied with a desk clamp that can attach either to the rear / side of a desk or through a grommet hole
 - 3 +65°/-90° tilt adjustment, and 360° screen rotation makes it easy to adjust screens
 - 4 Height adjustment using tool-less locking collar
- High-end aesthetic quality with a durable powder coated finish
 - 2 swivel points, at the pole and interface
 - Simple 'hook-on' installation with all mounting hardware included



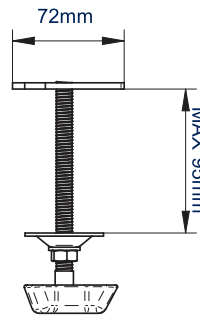
RECOMMENDED MAX SCREEN	MAX LOAD	MAX VESA	TILT	SWIVEL	ROTATION	QR CODE
28" 71cm	20lbs	100 x 100	90° 65°	360°	360°	



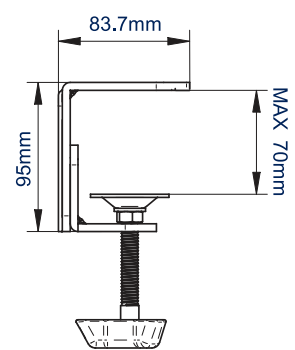
BT7372



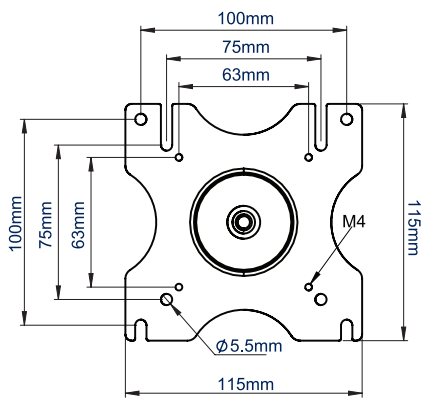
TOP VIEW



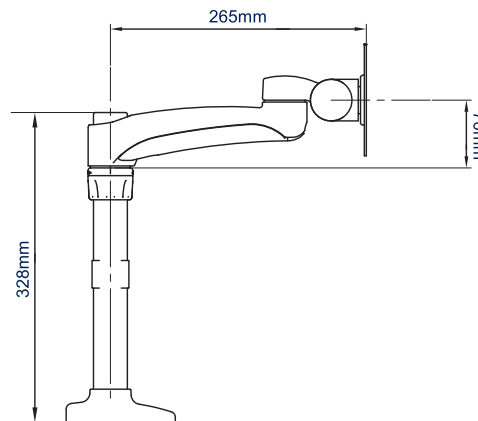
GROMMET



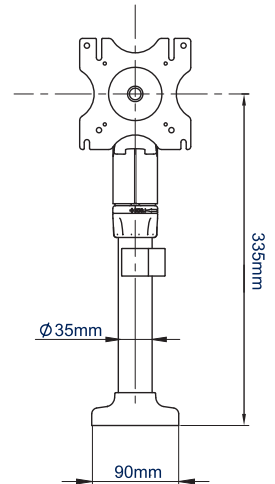
DESK CLAMP



INTERFACE



SIDE VIEW



FRONT VIEW

ORDERING INFORMATION

COLOR	ORDER REF	BARCODE
Black	BT7372/B	5019318752162

RELATED PRODUCTS

PRODUCT CODE	NAME	DESCRIPTION
BT7383	Double Arm Full Motion Desk Mount	Designed for screens up to 28"
BT7373	Double Arm Premium Desk Mount	Designed for screens up to 28"
BT7374	Twin Flat Screen Desk Mount with Dual Articulated Arms	Designed for screens up to 28"
BT7384	Twin Screen Full Motion Desk Mount	Designed for 2 screens up to 28"

© 2022 B-Tech AV Mounts Co., Ltd. All rights reserved.
 The information this specification sheet reflects the current technical specifications at the time of printing.
 We reserve the right to change the technical or physical specifications without prior notice. The B-Tech name and the B-Tech logo are registered trademarks of B-Tech AV Mounts Co., Ltd.
 B-Tech is not responsible for any damage or loss of data caused by improper installation or mounting on unstable structures. Any reproduction or reuse of information or specification of any part of this specification sheet is strictly prohibited unless prior written permission is granted by B-Tech AV Mounts Co., Ltd.

SS-V2-BT7372-230725