

# BT7363

## DESK STAND WITH TILT

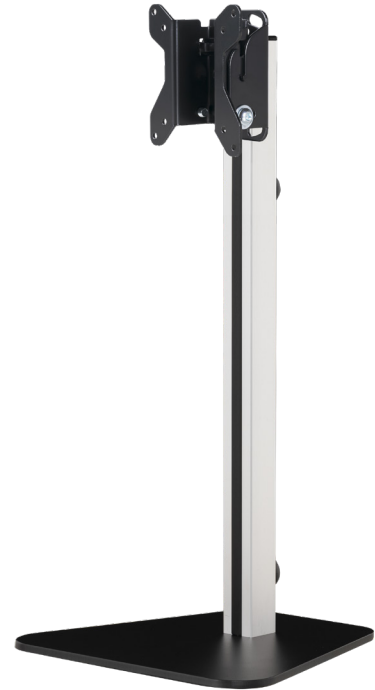
The BT7363 universal desk stand with tilt is suitable for use with screens up to 32" and a max weight of 20lbs. The stand can easily be placed on a desk and the integrated cable management ensures a neat and tidy installation. The stand also features easy tilt adjustment of the display and rubber feet on the base that help to protect the desk from unwanted scratches or marks.

### SPECIFICATIONS

Recommended screen size	up to <b>32"</b>
Max load	<b>20lbs</b>
VESA® compatibility	<b>75 x 75 &amp; 100 x 100</b>
Tilt	<b>+ 17° / - 10°</b>
Dimensions	W : <b>10"</b> H : <b>20"</b> D : <b>9"</b>
Base thickness	<b>0.1"</b>
Color (base / mount)	<b>Black</b>
Color (column)	<b>Silver</b>

### FEATURES

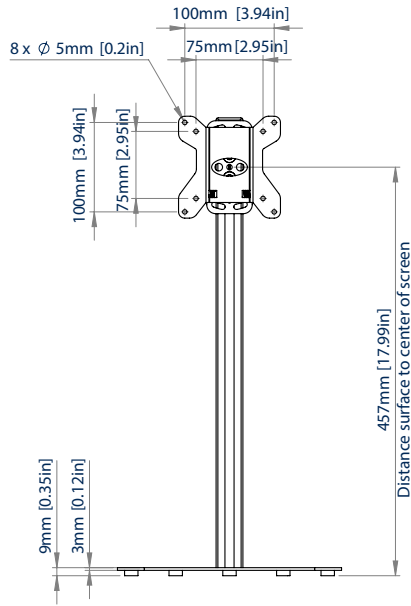
- 1** Easy tilt adjustment of +17°/-10°
  - 2** Integrated cable management for a neat and tidy installation
  - 3** Rubber feet on the base help protect the desk from unwanted scratches
  - 4** Screen can be mounted in portrait or landscape up to VESA 100 x 100
- Security locking Screws and allen key provided help prevent unauthorized removal of screen
  - Freestanding, ideal for hot-desking or working from home
  - Screen can be mounted in either landscape or portrait
  - High-end aesthetic quality
  - Simple 'hook-on' installation



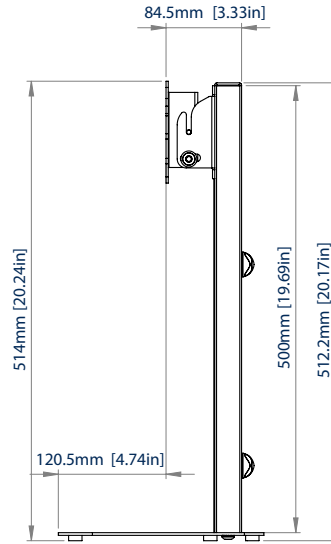
RECOMMENDED MAX SCREEN	MAX LOAD	MAX VESA	TILT	QR CODE
32" 81cm	20lbs	100 x 100	10° 17°	



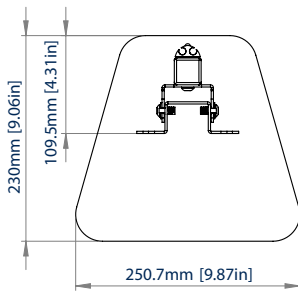
# BT7363



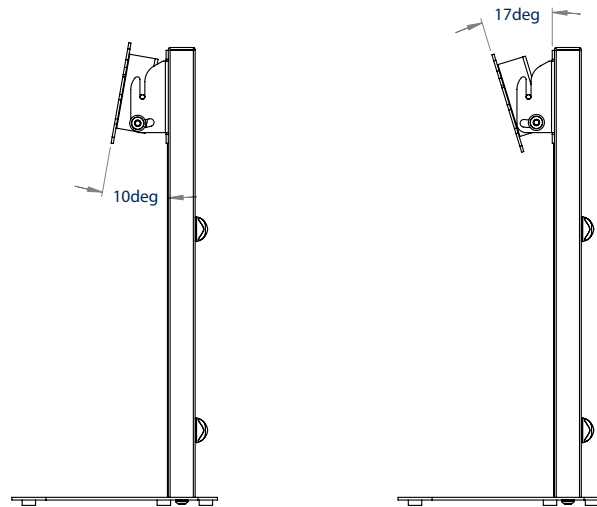
FRONT VIEW



SIDE VIEW



TOP VIEW



TILTED RANGE - SIDE VIEW

## ORDERING INFORMATION

COLOR	ORDER REF	BARCODE
Black / Silver	BT7363/BS	5019318758867

## RELATED PRODUCTS

PRODUCT CODE	NAME	DESCRIPTION
BT7372	Single Arm Premium Desk Mount	Designed for screens up to 28"
BT7373	Double Arm Premium Desk Mount	Designed for screens up to 28"
BT7374	Twin Flat Screen Desk Mount with Dual Articulated Arms	Designed for screens up to 28"
BT7362	Desk Stand	Designed for screens up to 32"

© 2015 B-Tech AV Mounts Co., Ltd. All rights reserved.  
 The information this specification sheet reflects the current technical specifications at the time of printing.  
 We reserve the right to change the technical or physical specifications without prior notice. The B-Tech name and the B-Tech logo are registered trademarks of B-Tech AV Mounts Co., Ltd.  
 B-Tech is not responsible for any damage caused by improper installation or mounting on unstable structures. Any reproduction or reuse of information or specification of any part of this specification sheet is strictly prohibited unless prior written permission is granted by B-Tech AV Mounts Co., Ltd. 15061E

SS-V2-BT7363-250725