

BT7360

DESK STAND FOR TOUCH SCREENS

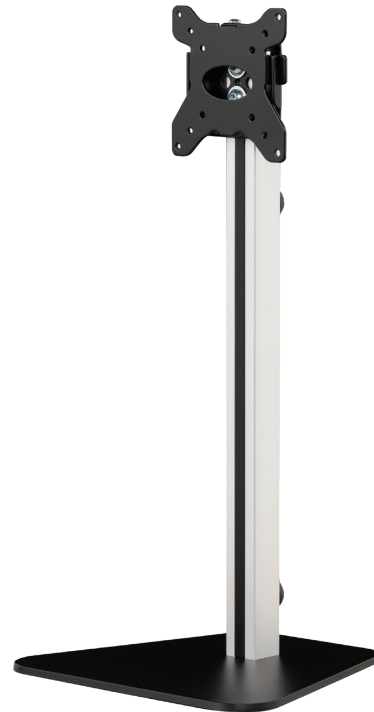
The BT7360 universal desk stand is suitable for use with touch screens up to 32" and a max weight of 10kg. The stand can easily be placed on a desk and the integrated cable management ensures a neat and tidy installation. The stand also features rubber feet that help to protect the desk from unwanted scratches or marks.

SPECIFICATIONS

Recommended screen size	up to 32"
Max load	10kg
VESA® compatibility	50 x 50 up to 100 x 100
Dimensions	W : 251mm H : 514mm D : 230mm
Base thickness	6mm
Colour (base / mount)	Black
Colour (column)	Silver

FEATURES

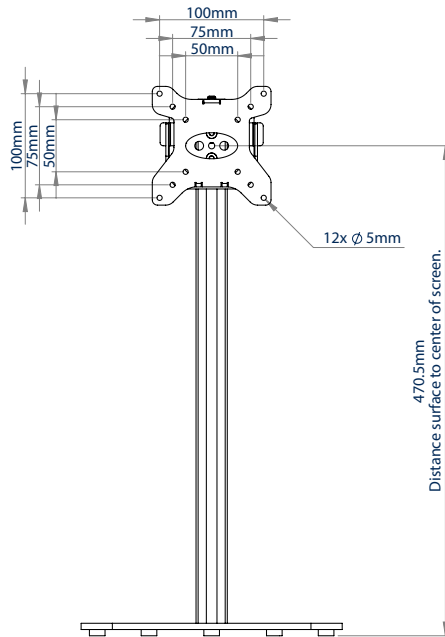
- 1** Rubber feet protect the desk from marks and scratches
 - 2** Integrated cable management for a neat and tidy installation
 - 3** Security locking screw helps prevent unauthorised removal of the screen
 - 4** Screen can be mounted in portrait or landscape up to VESA 100 x 100
- Heavy duty base is ideal for supporting interactive touchscreen
 - Screen can be mounted in either landscape or portrait
 - High-end aesthetic quality
 - Simple 'hook-on' installation



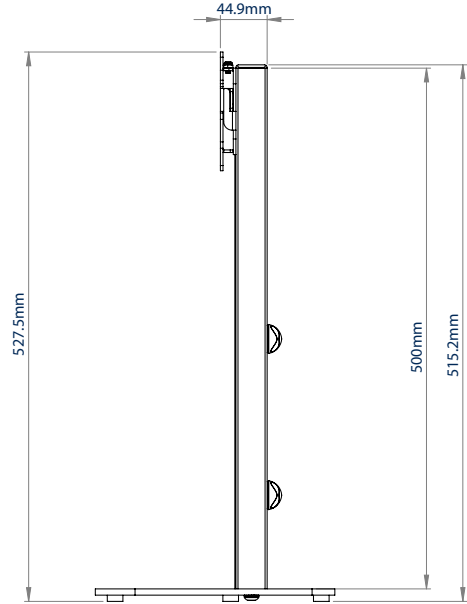
RECOMMENDED MAX SCREEN	MAX LOAD	MAX VESA	
32" 81cm	10kg	100 x 100	



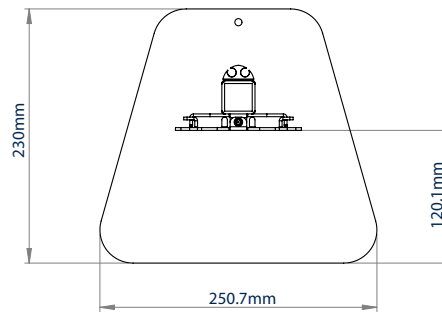
BT7360



FRONT VIEW



SIDE VIEW



TOP VIEW

ORDERING INFORMATION

COLOUR	ORDER REF	EAN
Black / Silver	BT7360/BS	5019318306242

RELATED PRODUCTS

PRODUCT CODE	NAME	DESCRIPTION
BT7372	Single Arm Premium Desk Mount	Designed for screens up to 28"
BT7373	Double Arm Premium Desk Mount	Designed for screens up to 28"
BT7374	Twin Flat Screen Desk Mount with Dual Articulated Arms	Designed for screens up to 28"
BT7361	Universal Desk Stand With Tilt	Designed for touch screens up to 32"

© 2018 B-Tech AV Mounts Co. Ltd. All rights reserved.
 The information this specification sheet reflects the current technical specifications at the time of print.
 We reserve the right to change the technical or physical specifications without prior notice. The B-Tech name and the B-Tech logo are registered trademarks of B-Tech AV Mounts Co. Ltd.
 B-Tech is not responsible for any damage or loss of data caused by improper installation or mounting on unstable structures. Any reproduction or reuse of information or specification of any part of this
 specification sheet is strictly prohibited unless prior written permission is granted by B-Tech AV Mounts Co. Ltd. 180618

SS-V2-BT7360-230924