



BT7320

MOUNTING RAIL FOR 2 SCREENS ASSEMBLY AND INSTALLATION

This pack contains:
1 mounting rail for 2 screens



Caution: This mount is intended for use only with the maximum weights indicated. Use with heavier than the maximum indicated may result in instability causing possible injury.

Important Safety Instructions.

Read first

Do not attempt to install this product until all instructions and warnings have been read and properly understood. Please keep these instructions for future reference. B-Tech International Limited, its distributors and dealers are not liable or responsible for damage or injury caused by improper installation, improper use or failure to observe these safety instructions. In such cases, all guarantees will expire.

General

B-Tech International Ltd recommends that a professional AV installer or other suitably qualified person install this product. Great care must always be taken during installation as most AV equipment is of a fragile nature, possibly heavy and easily damaged if dropped. If you do not fully understand the instructions or are not sure how to install this product safely, then please consult a professional for advice and/or to install this product for you. Failure to mount this product correctly may cause serious injury or death both during installation and at any time thereafter. Do not mount any AV equipment that exceeds the specific weight limit of the product you are installing. This weight limit will be clearly stated on each product and its packaging and will vary from product to product.

Product location

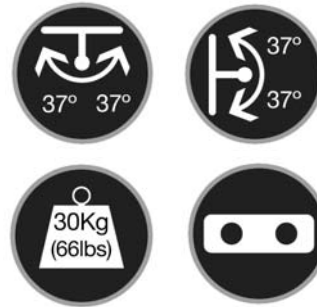
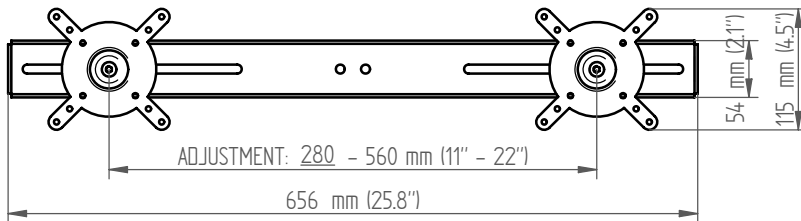
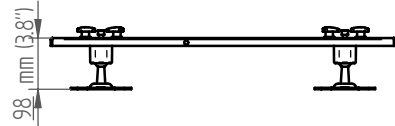
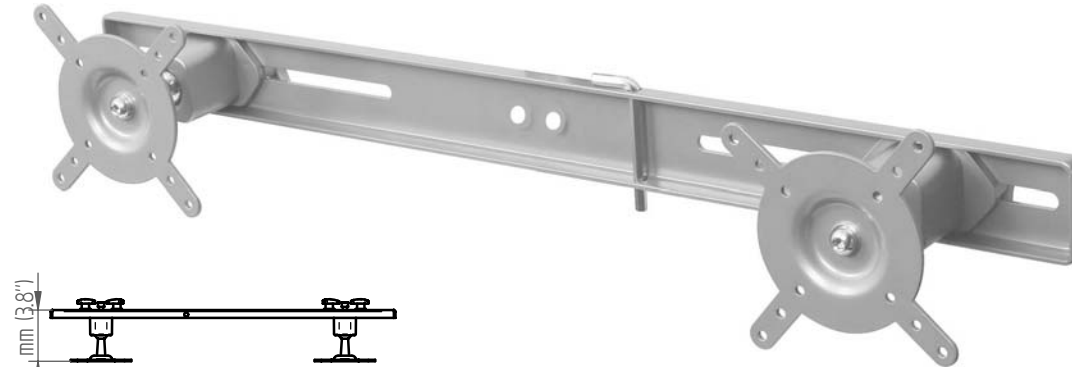
Please pay careful attention to where this product is located. If any AV equipment is to be suspended over the likely path or location of people then great care should be taken to secure all parts of the installation from falling.

Fixing hardware

It is highly recommended that all fixing screws be used where supplied and that the purpose of all other fixing hardware is fully understood. In some cases more AV equipment fixing hardware will be supplied to accommodate different models of equipment and set up configurations. The installer must be satisfied that any supplied fixing hardware is suitable for each specific installation. If any fixing screws or included hardware are deemed not sufficient for a safe installation then please consult a professional or your local hardware store.

Hazard limitation

When routing cables take advantage of any built in cable management features that the product might provide and ensure that all cables are tidy and secure. Check to see that any moving aspect of the product can do so unhindered by any cabling. Some products have moving parts and the potential to cause injury through the crushing or trapping of fingers or other body parts. Particular attention to the nature of moving parts is required especially when assembling installing and adjusting during set up. Immediately after installations double-check that the work done is safe and secure. Double-check all necessary fixings are present and are of ample tightness. It is recommended that periodic inspections of the product and its fixing points are made as frequently as possible to ensure that safety is maintained. In if doubt consult a professional AV installer or other suitably qualified person.



- Designed to mount 2 flat screen monitors up to 22" (widescreen) onto the B-Tech 50mm (2") and 60mm pole system
- The position of the flat screens can be adjusted along the horizontal bar 280 – 560mm (11" – 22")
- Maximum load: 30Kg (66lbs), 15Kg (33lbs) per AViBall mount
- AViBall adjusts 37° in any direction
- Suitable for flat screens with the following VESA fixings: 100 x 100mm, 75 x 75mm and 50 x 50mm
- Must be used with BT7052 or BT7260 collar (sold separately)
- Cable management included
- All fixings included

Head Office
B-Tech International Ltd.
Bennett House, Long March, Daventry, Northants NN11 4NR, UK
Tel: +44 (0)1327 300 787 Fax: +44 (0)1327 706 562
Email: info@btechavmounts.co.uk

Europe
B-Tech PRO-AV bvba
Brixtonlaan 32, Zaventem 1930, Brussels, Belgium
Tel: +32 (0)2 720 92 71 Fax: +32 (0)2 725 42 15
Email: info@btechproav.com

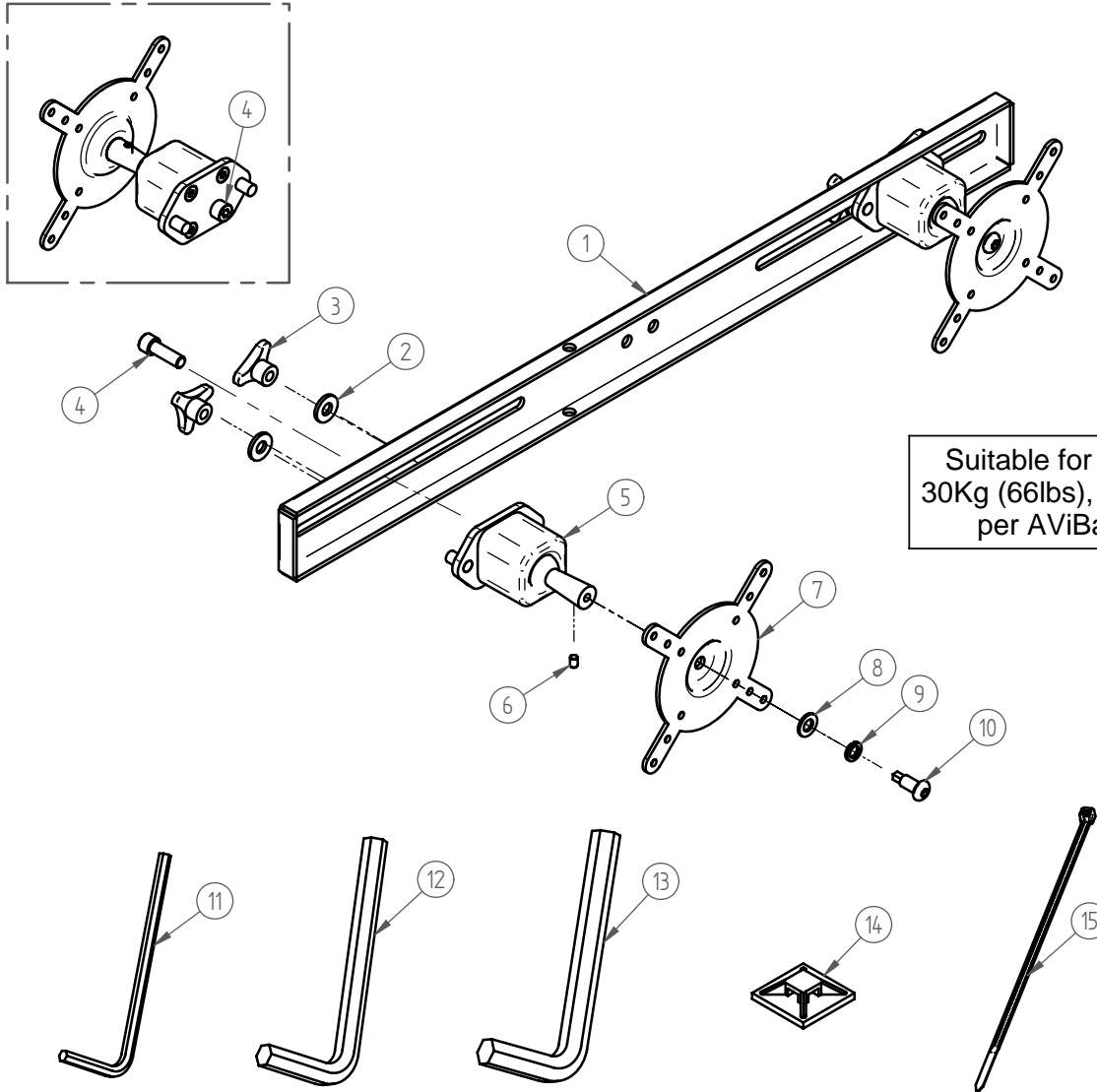
North America
B-Tech Audio Video Mounts.
10 Greg Street, #108, Sparks, NV 89431, USA
Tel: (1)800 975 5812 Fax: (1)800 592 2876
Email: info@btechavmounts.com

Asia Pacific
B-Tech International (Hong Kong) Ltd.
23rd Floor, Manulife Tower, North Point, HK
Tel: (+852) 2556 7337 Fax: (+852) 2556 7321
Email: info@btechavmounts.com.hk

www.btechavmounts.com



BT7320 PARTS LIST

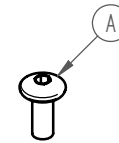


Suitable for loads up to
30Kg (66lbs), 15Kg (33lbs)
per AViBall mount

PARTS LIST

No	PART NAME	QTY
1	MOUNTING RAIL FOR 2 SCREENS	1
2	WASHER (PLASTIC) M8 OD19 T2.3	4
3	HANDWHEEL	4
4	M8 X 25 CAP HEAD SCREW	2
5	AVIBALL ASSEMBLY	2
6	M5 X 6 GRUB SCREW	2
7	INTERFACE PLATE (BT7588)	2
8	WASHER (STEEL) M8 OD16 T1.6	2
9	SPRING WASHER M8	2
10	M8 X 23 SQUARE END ALLEN SCREW	2
11	2.5MM ALLEN KEY (FOR PARTS 6 & A)	1
12	5MM ALLEN KEY (FOR PART 10)	1
13	6MM ALLEN KEY (FOR PART 4)	1
14	CABLE TIE MOUNT (ADHESIVE)	2
15	CABLE TIE	2

FIXING KIT



REF	PART NAME	QTY
A	M4 X 12 ALLEN SCREW (TO FIX FLAT SCREEN)	8

PLEASE KEEP THIS PARTS LIST FOR FUTURE REFERENCE



BT7320

INSTALLATION INSTRUCTIONS (1)

READ FIRST

-Upon opening, check all the parts are present as shown in the parts list.

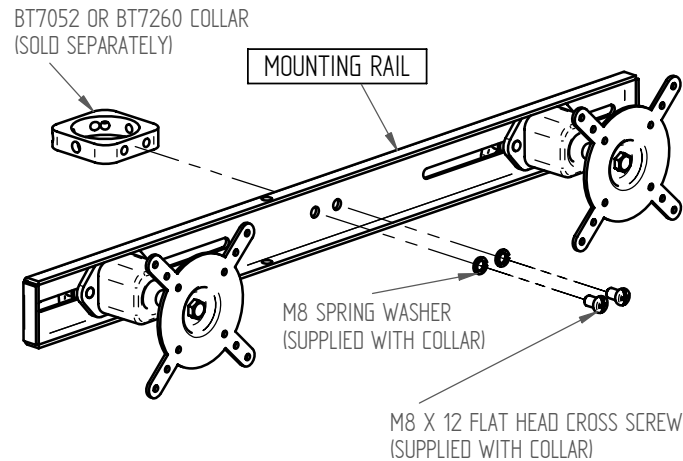
-It is recommended this installation is to be carried out by two persons.

-It is important that all mounting screws are used where possible.

1. Attach collar to mounting rail

Attach the collar (sold separately) using the fixings provided with the collar.

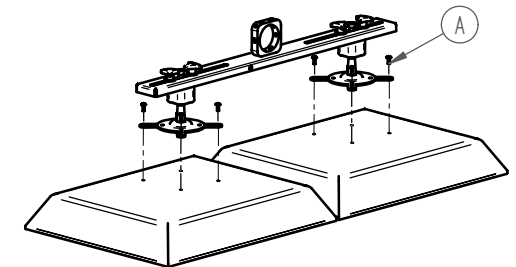
Choose either a 50mm or 60mm collar (BT7052 or BT7260) depending on the installation.



2. Mount flat screens to AViBall interface mounts

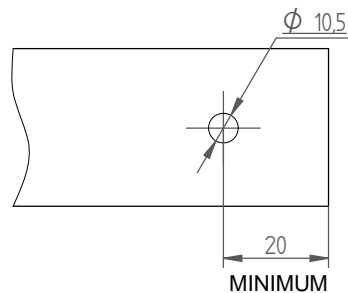
Cover work surface and place screens face down.

Fix the screens to the AViBall mounts using the M4 x 12 Allen screws provided (part A).



Care must be taken to ensure that a suitable and secure screen fixing is made. If in any doubt, consult a suitably qualified person or an AV equipment installer.

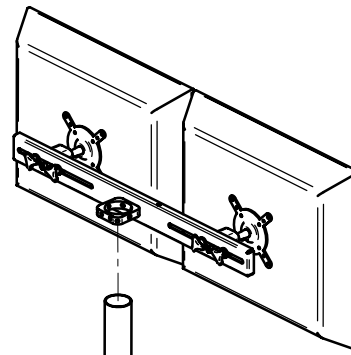
3. Drill a safety bolt hole (optional)



It is recommended but not essential that a safety bolt is set in place before any AV equipment is fitted. In order to use the provided safety bolts, holes have to be drilled diametrically opposite each other so that the bolt can pass straight through. The centre of the hole must be a minimum of 20mm from the end of the pole.

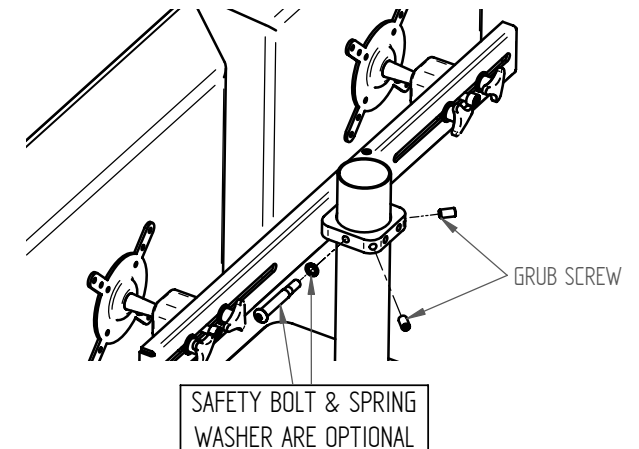
4. Mount the rail onto the pole

Fit the collar over the pole (sold separately) and position at desired height.



Please note: this may require more than one person.

To fix the position of the collar, use the Allen key (supplied with collar) to tighten the grub screws.



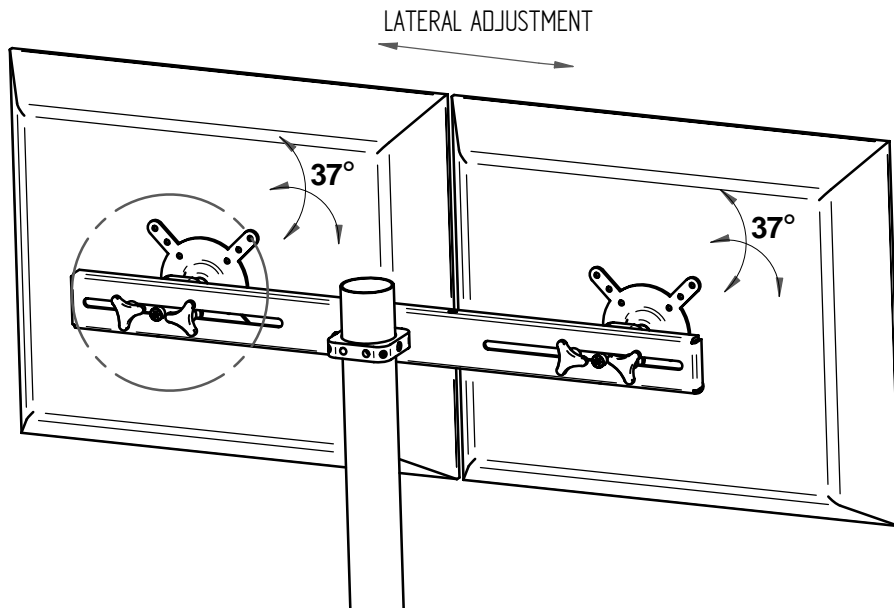
CONTINUED...



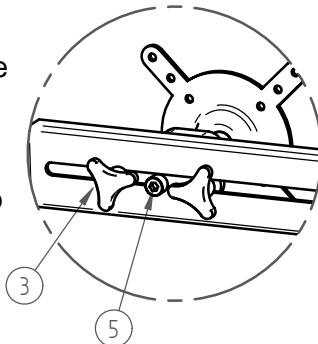
BT7320

INSTALLATION INSTRUCTIONS (2)

5. Adjust screen alignment, tilt and swivel to preferred setup



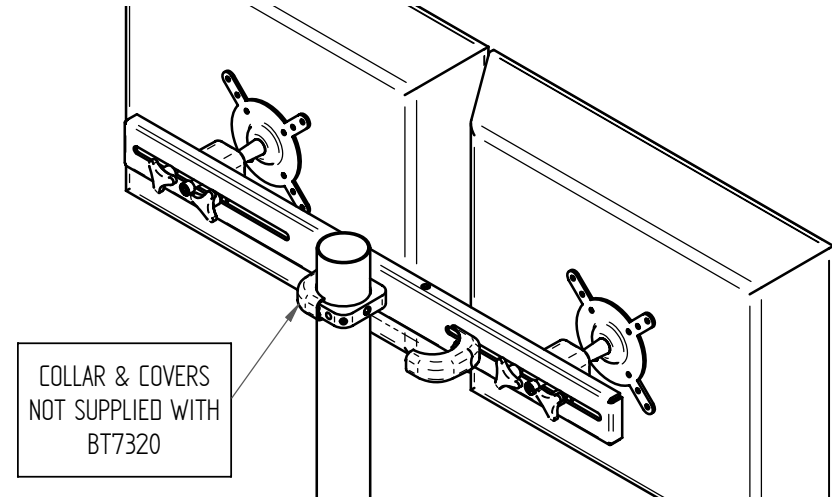
To slide the screens along the mounting rail, loosen the hand wheels (**part 3**), slide screens into position and then retighten the handwheels.



To change the tilt and swivel angles, adjust the M8 X 25 cap head screw (**part 5**) on the AviBall mounts using the 6mm Allen key (**part 13**).

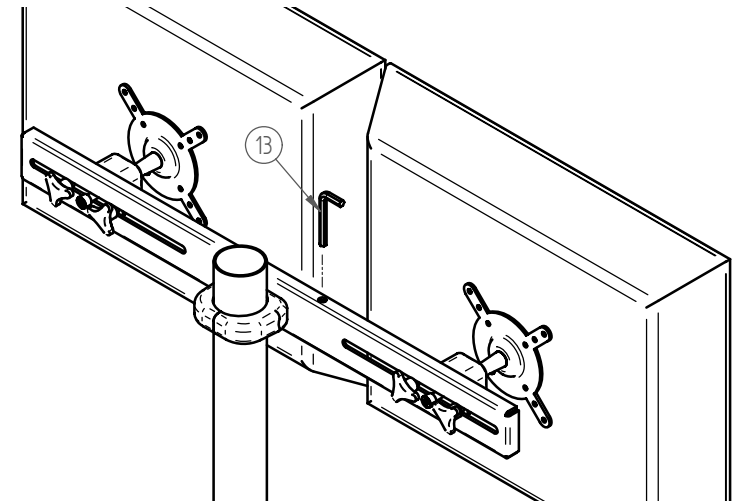
AViBall provides easy adjustment of 37° in any direction and 360° swivel at mount.

6. Fit the collar covers



7. Complete the installation

Store the 6mm Allen key (**part 13**) in the hole provided on the mounting rail.

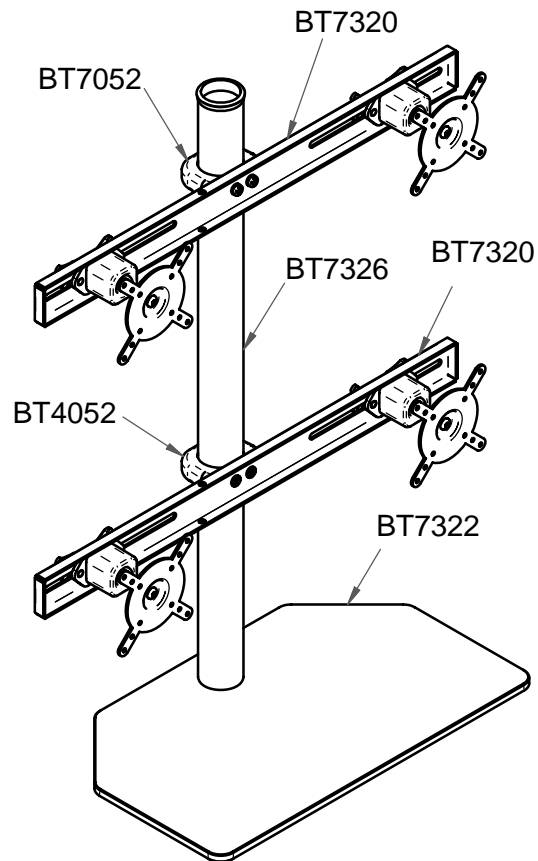




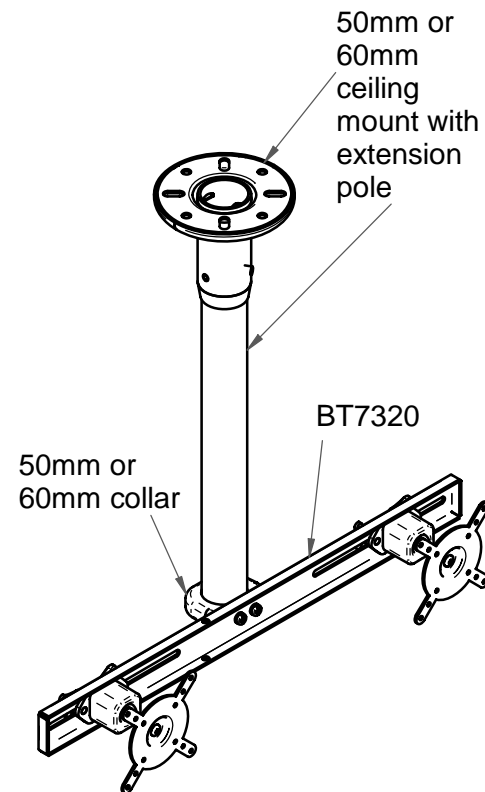
BT7320

TYPICAL INSTALLATIONS

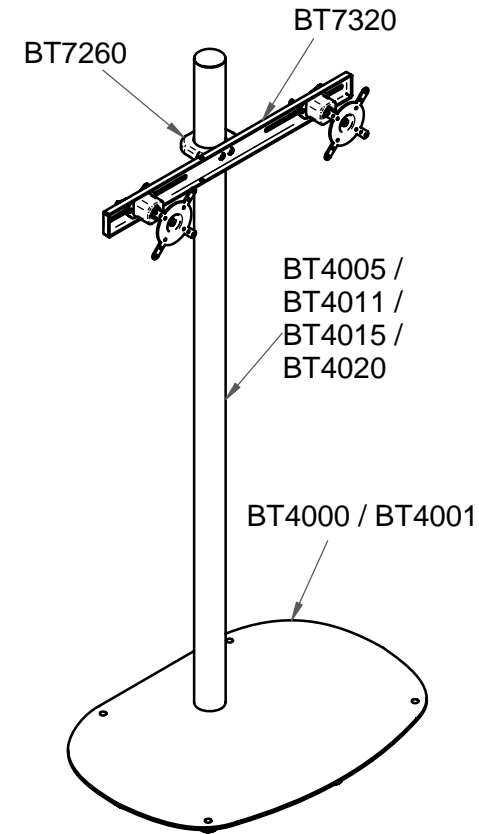
A. All the parts of the BT7300 range can be purchased separately which allows many different configurations to be achieved. The BT7320 can be stacked on a BT7326 0.8M pole (two maximum) as shown.



B. The BT7320 can be mounted on an extension pole drop from the ceiling (50mm or 60mm). The BT7320 can also be mounted on a B-Tech wall arm with pole extension.



C. The BT7320 can be used with the B-Tech floor stands (BT4000 and BT4001). This allows multiple monitors to be stacked along the pole.



D. The BT7320 can be used with the BT7504 trolley. This can also be used to stack the monitors.

