

# BT7104-65

## BOLT-DOWN TWIN POLE STAND WITH ENCLOSURE FOR 65" DISPLAYS

The **BT7104-4350** is a bolt-down twin pole stand with rear enclosure designed to securely portrait mount 65" displays. Its precision mounting system ensures the screen sits perfectly level and flush within the enclosure, providing a clean and professional finish. Built from durable, high-quality materials, the BT7104-65 offers a rigid and stable structure ideal for fixed installations in indoor environments such as retail, hospitality, shop fronts, transportation hubs and corporate settings. The integrated enclosure provides a discreet housing solution for media players and other AV equipment, helping to maintain a tidy and professional appearance.

### SPECIFICATIONS

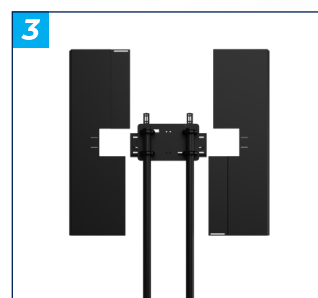
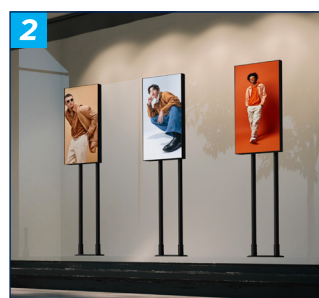
Recommended screen size	<b>65"</b>
Max load	<b>60kg</b>
VESA & non-VESA fixings	up to <b>400 x 600mm</b>
Height adjustment:	<b>2059.5-2698.5mm</b>
Width adjustment:	<b>653-739mm</b>
Depth:	<b>236.5mm</b>
Colour	<b>Black</b>

### FEATURES

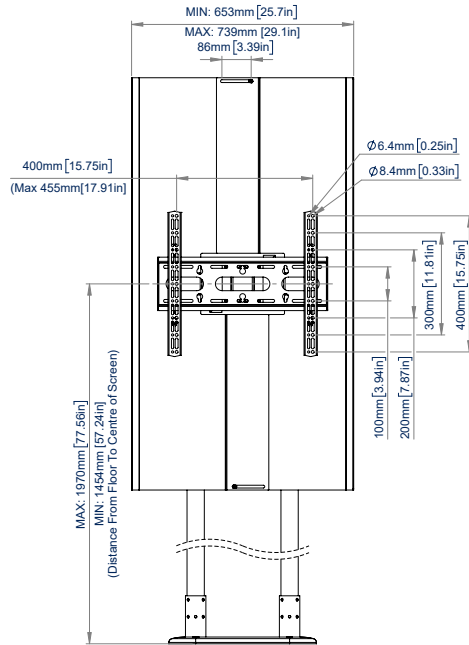
- 1** Integrated cable management
- 2** Bolt-down design for a small footprint and added stability
- 3** Removable rear panels for easy installation and maintenance
- 4** Open top and bottom allows airflow too and from the screen
- Adjustable screen depth using supplied spacers
- Simple hook-on screen installation
- High-end aesthetic finish
- Suitable for portrait mounting
- Versions also available for 43-50" and 55" displays
- Designed for indoor use only



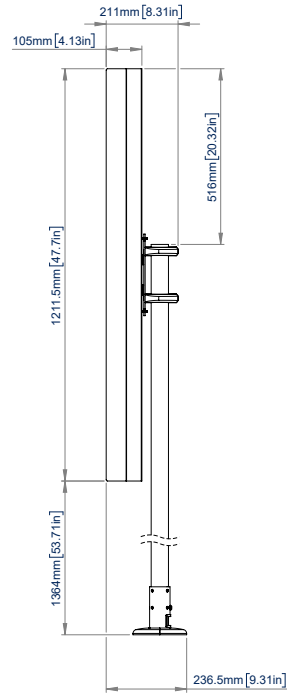
RECOMMENDED MAX SCREEN	MAX LOAD	MAX VESA	POST INSTALL ALIGNMENT	QR CODE
65" 165cm	60kg	400 x 600	← →	



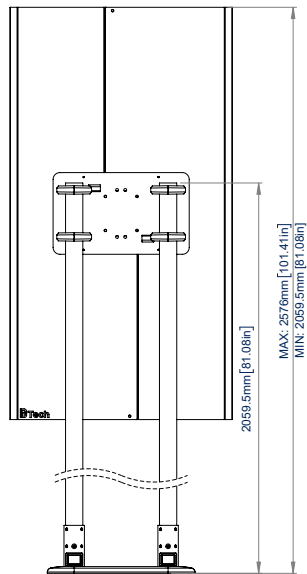
# BT7104-65



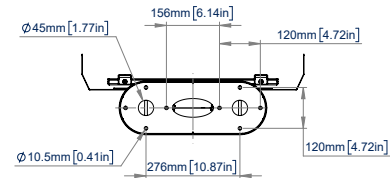
**FRONT VIEW**



**SIDE VIEW**



**BACK VIEW**



**BOTTOM VIEW**

## ORDERING INFORMATION

COLOUR	ORDER REF	EAN
Black	BT7104-65/B	5019318307607

## RELATED PRODUCTS

PRODUCT CODE	NAME	DESCRIPTION
BT7104-4350	Bolt-Down Twin Pole Digital Signage Stand	Designed to portrait mount a 43-55" digital signage screen
BT7104-55	Bolt-Down Twin Pole Digital Signage Stand	Designed to portrait mount a 55" digital signage screen
BT7004	Bolt-Down Single Column Digital Signage Stand	Designed to portrait mount digital signage screens
BT7003	Freestanding Single Column Digital Signage Stand	Designed to portrait mount digital signage screens

© 2016 B.Tech. AV Mounts Corporation Ltd. All rights reserved.  
 The information this specification sheet reflects the current technical specifications at the time of printing.  
 We reserve the right to change the technical or physical specifications without prior notice. The B.Tech. AV Mounts Corporation Ltd.  
 B.Tech. AV Mounts Corporation Ltd. is not responsible for any damage caused by improper installation or mounting on unstable structures. Any reproduction or use without permission is prohibited.  
 Specification sheet is strictly for reference only. For more information, please contact our sales department at sales@btechavmounts.com

SS-V1-BT7104-65-020626