

BT7104-55

BOLT-DOWN TWIN POLE STAND WITH ENCLOSURE FOR 55" DISPLAYS

The **BT7104-55** is a bolt-down twin pole stand with rear enclosure designed to securely portrait mount 55" displays. Its precision mounting system ensures the screen sits perfectly level and flush within the enclosure, providing a clean and professional finish. Built from durable, high-quality materials, the BT7104-55 offers a rigid and stable structure ideal for fixed installations in indoor environments such as retail, hospitality, shop fronts, transportation hubs and corporate settings. The integrated enclosure provides a discreet housing solution for media players and other AV equipment, helping to maintain a tidy and professional appearance.

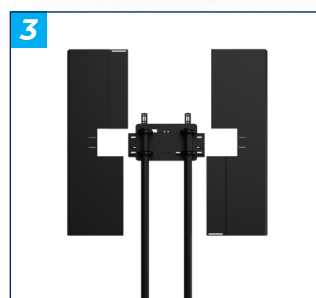
SPECIFICATIONS

Recommended screen size	55"
Max load	50kg
VESA & non-VESA fixings	up to 400 x 400mm
Height adjustment:	2059.5-2576mm
Width adjustment:	653-739mm
Depth:	236.5mm
Colour	Black

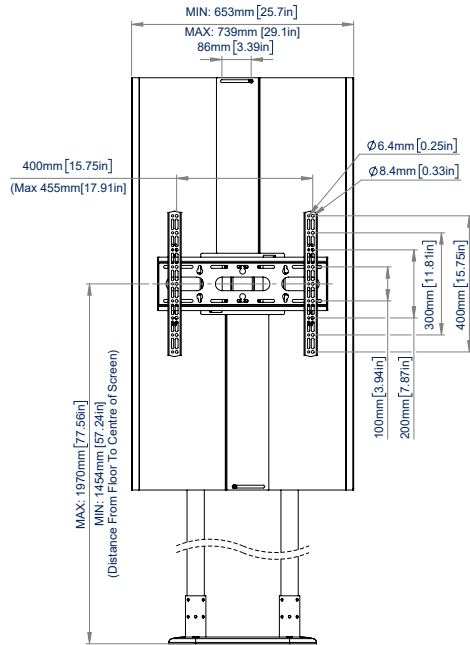
FEATURES

- 1** Integrated cable management
- 2** Bolt-down design for a small footprint and added stability
- 3** Removable rear panels for easy installation and maintenance
- 4** Open top and bottom allows airflow too and from the screen
- Adjustable screen depth using supplied spacers
- Simple hook-on screen installation
- High-end aesthetic finish
- Suitable for portrait mounting
- Versions also available for 43-50" and 65" displays
- Designed for indoor use only

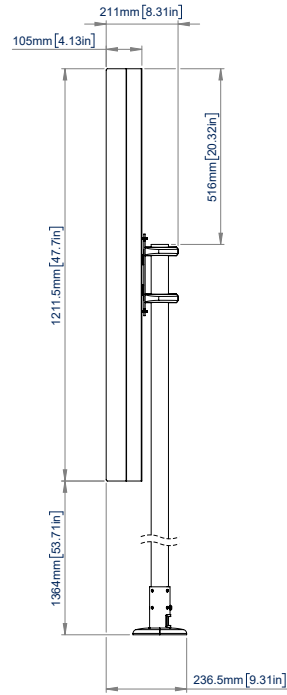
RECOMMENDED MAX SCREEN	MAX LOAD	MAX VESA	POST INSTALL ALIGNMENT	QR CODE
55" 140cm	50kg	400 x 400	← →	



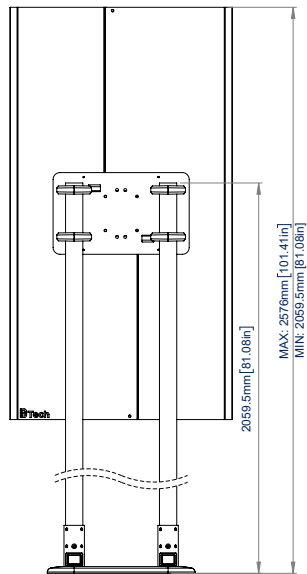
BT7104-55



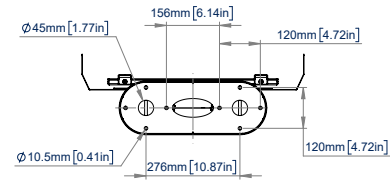
FRONT VIEW



SIDE VIEW



BACK VIEW



BOTTOM VIEW

ORDERING INFORMATION

COLOUR	ORDER REF	EAN
Black	BT7104-55/B	5019318307607

RELATED PRODUCTS

PRODUCT CODE	NAME	DESCRIPTION
BT7104-4350	Bolt-Down Twin Pole Digital Signage Stand	Designed to portrait mount a 43" - 50" digital signage screen
BT7104-65	Bolt-Down Twin Pole Digital Signage Stand	Designed to portrait mount a 65" digital signage screen
BT7004	Bolt-Down Single Column Digital Signage Stand	Designed to portrait mount digital signage screens
BT7003	Freestanding Single Column Digital Signage Stand	Designed to portrait mount digital signage screens

© 2016 B-Tech AV Mounts Corporation Ltd. All rights reserved.
 The information this specification sheet reflects the current technical specifications at the time of printing.
 We reserve the right to change the technical or physical specifications without prior notice. The B-Tech name and the B-Tech logo are registered trademarks of B-Tech AV Mounts Corporation Ltd.
 B-Tech is not responsible for loss or damage caused by improper installation or mounting on unstable structures. Any reproduction or use, alteration or repair of any part of this specification sheet is strictly prohibited unless prior written permission is granted by B-Tech AV Mounts Corporation Ltd. B-Tech.

SS-V1-BT7104-55-020626