

BT7051

Ø2" HEAVY DUTY ACCESSORY COLLAR

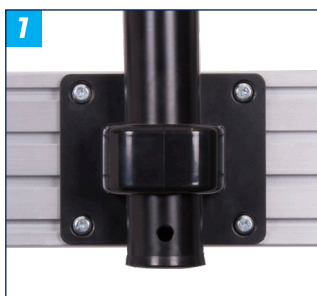
The BT7051 Heavy Duty Ø2" Accessory Collar is a core component of the 'System 2' range and is designed to attach a variety of different mounts and accessories onto B-Tech poles. Dual fixing points make it possible to mount items back-to-back.

SPECIFICATIONS

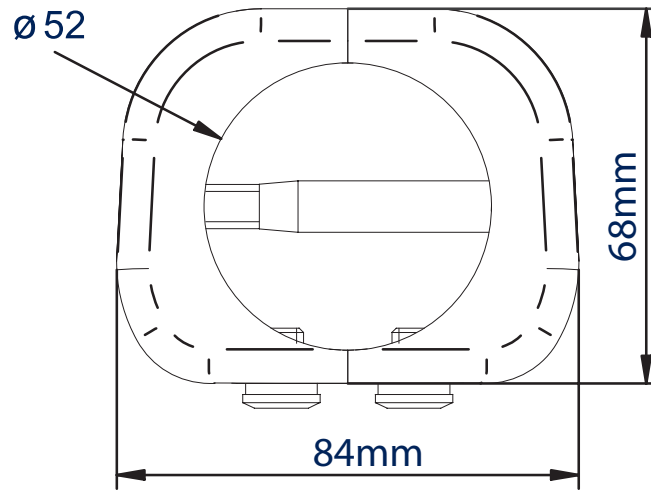
Compatible pole diameter	Ø2"
Collars supplied per pack	1
Color option	Black or Chrome

FEATURES

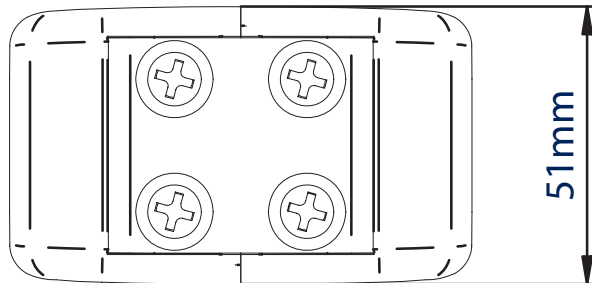
- 1 Used to attach mounts and accessories to Ø2" poles
- 2 Dual fixing points allow back-to-back installations onto a single collar
- 3 Supplied with cover plates for a neat and tidy finish
- 4 Available in black or chrome



BT7051



TOP VIEW



FRONT VIEW

ORDERING INFORMATION

COLOR	ORDER REF	BARCODE
Black	BT7051/B	5019318070761
Chrome	BT7051/C	5019318070846

RELATED PRODUCTS

PRODUCT CODE	NAME	DESCRIPTION
BT7841	Ø2" 2-Piece Accessory Collar	Allows a wide range of mounts and accessories to be fitted to Ø2" poles
BT7052	Ø2" Accessory Collar	Used to attach mounts and accessories to Ø2" poles
BT7850	Ø2" Poles	Available in Black, White or Chrome and a variety of lengths
BT7055	Ceiling Finishing Ring	Designed to improve the look of a ceiling mounted install

© 2025 B-Tech AV Mounts Co. Ltd. All rights reserved.
 The information in this specification sheet reflects the current technical specifications at the time of printing.
 We reserve the right to change the technical or physical specifications without prior notice. This is both in name and the B-Tech logo are registered trademarks of B-Tech AV Mounts Co. Ltd.
 B-Tech is not responsible for any loss or damage caused by improper installation or mounting on unsuitable structures. Any reproduction or use without permission or registration of any part of this
 specification sheet is strictly prohibited unless prior written permission is obtained by B-Tech AV Mounts Co. Ltd. 2025.

SS-V2-BT7051-050725