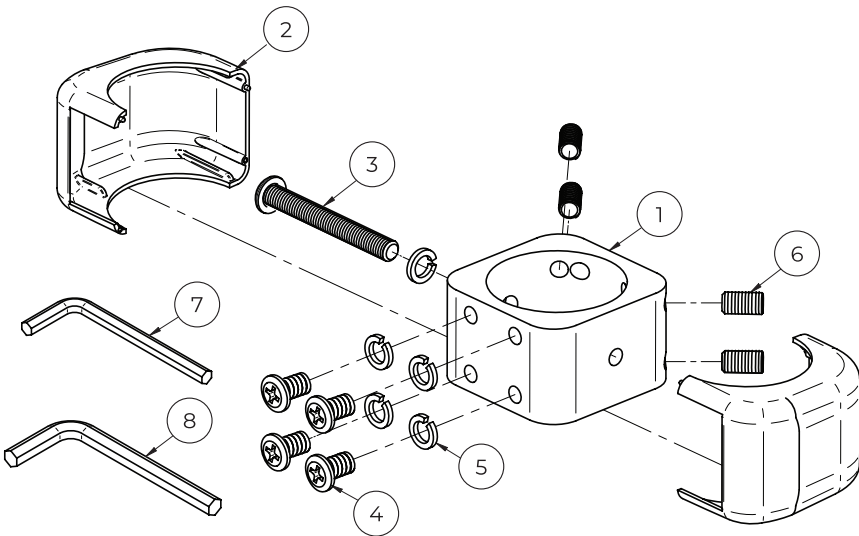


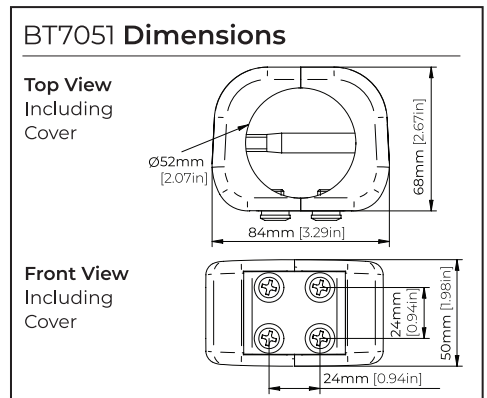
SYSTEM 2™

Ø50mm (2") Heavy Duty Accessory Collar
For Use With BT7850 Poles

Parts List

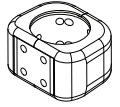


Item	Description	Qty
1	Ø50mm (2") Collar	1
2	Collar Cover	2
3	M8 x 65mm Hex Screw	1
4	M8 x 12mm Hex Screw	8
5	M8 Spring Washer	9
6	M8 x 15mm Grub Screw	4
7	4AF Hex Key	1
8	5AF Hex Key	1



Ø50mm (2") Heavy Duty Accessory Collar

For Use With BT7850 Poles



Installation Guide

Do not attempt to install this product until all instructions and warnings have been read and properly understood. Please keep these instructions for future reference.

Please check carefully to make sure there are no missing or defective parts - defective parts must never be used.

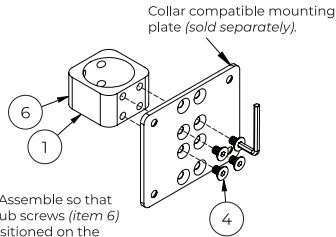
B-Tech AV Mounts, its distributors and dealers are not liable or responsible for damage or injury caused by improper installation, improper use or failure to observe these safety instructions. In such cases, all guarantees will expire.

SYSTEM 2[™]



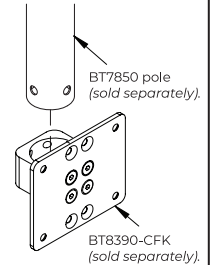
The BT7051 is compatible with the System 2 range of professional Install products from B-Tech.

1. Attach the collar to a collar compatible mounting plate.

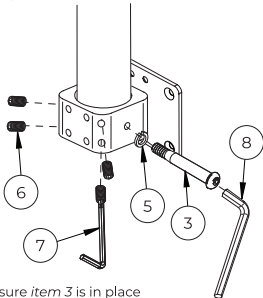


Note: Assemble so that the grub screws (item 6) are positioned on the back side of the collar.

2. Slide collar onto a Ø50mm pole.

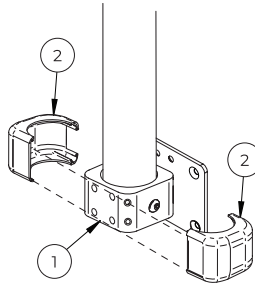


3. Insert item 3 through the safety hole and tighten item 6 to fix collar to pole.

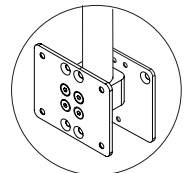


Note: Ensure item 3 is in place before any AV equipment is fitted.

4. Add covers and mounting interface.



Back-to-back mounting 2 extra pieces of items 4 & 5 are included for back-to-back mounting on the collar.



Note: Item 2 cannot be used when mounting items back-to-back.

Contact: info@btechavmounts.com

©2024 B-Tech AV Mounts Corporation Ltd. All rights reserved.

B-Tech AV Mounts is a division of B-Tech AV Mounts Corporation Ltd. B-Tech AV Mounts and the B-Tech Logo are registered trademarks. All B-Tech images and symbols are exclusive property of B-Tech AV Mounts Corporation Ltd. All other brands and product names are trademarks of their respective owners. Any reproduction, retransmission or republication of any part of this manual is strictly prohibited, unless prior written permission has been granted by B-Tech AV Mounts Corporation Ltd. Photographs are for illustrative purposes only. E&OE

Manufactured by:
B-Tech International Design & Manufacturing Ltd
Unit 26, 22/F Metro Centre II, 21 Lam Ling St., Kowloon Bay, Kowloon, Hong Kong

AMA-BT7051-V3-0424-03 Made in the P.R.C.

