

BT7027

TILTING ADAPTOR PLATES FOR Ø2" POLES

Designed to pole mount interface plates at an angle the, BT7027 features easy tilt adjustment of up to 90° and is suitable for screens up to 110lbs. Use in conjunction with BT7051/BT7052 collars and BT7850 Ø2" poles to create low level stands/carts with the ability to tilt and set the screen at a suitable angle.

SPECIFICATIONS



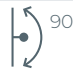

Recommended screen size	up to 70"
Max load	110lbs
Tilt adjustment	0°, 22.5°, 45°, 67.5° & 90°
Color	Black



FEATURES

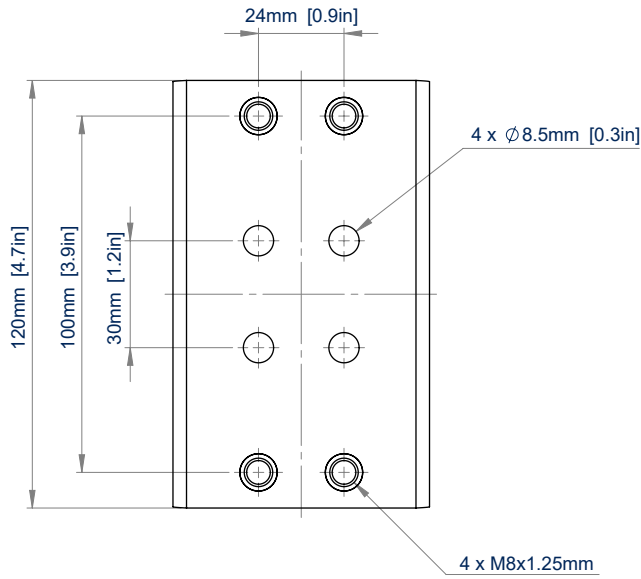
- 1 Secures to floor poles BT4107, BT4116, BT4118 using BT7051 / BT7052 collars
 - 2 Easy tilt adjustment allows interface to be positioned at various angles
 - 3 Compatible with collar compatible mounting plates & System X rails
 - 4 Ideal for creating information points in retail or museum exhibitions
- All mounting hardware included



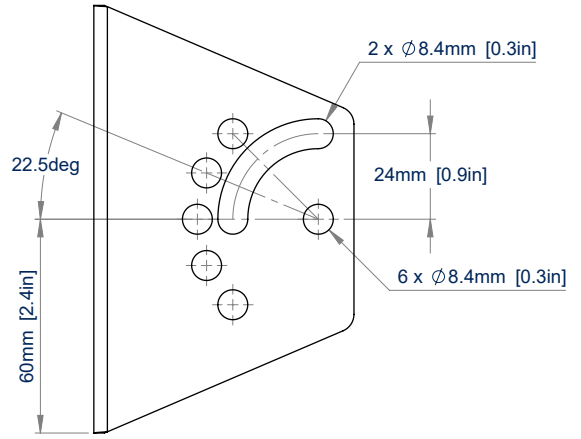
MAX LOAD  110lbs	COLLAR COMPATIBLE 	TILT  90°	
---	---	--	---



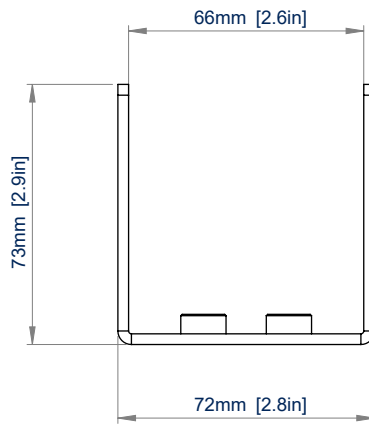
BT7027



FRONT VIEW



SIDE VIEW



TOP VIEW

ORDERING INFORMATION

COLOR	ORDER REF	UPC
Black	BT7027/B	811867033700

RELATED PRODUCTS

PRODUCT CODE	NAME	DESCRIPTION
BT7051/BT7052	Accessory Collar	For mounting B-Tech products to Ø2" Poles
BT4107	Ø2" Floor Stand Pole	For use with B-Tech's range of floor bases, to suit a variety of solutions
BT8540	Low Level Flat Screen Cart	Designed to mount screens and interactive displays at a low level
BT8541	Low Level Flat Screen Cart	Designed to mount screens and interactive displays at a low level

© 2016 B-Tech AV Mounts Corporation Ltd. All rights reserved.
 The information in this specification sheet reflects the current technical specifications at the time of printing.
 We reserve the right to change the technical or physical specifications without prior notice. This is both a name and the B-Tech logo are registered trademarks of B-Tech AV Mounts Co. Ltd.
 B-Tech is not responsible for loss or damage caused by improper installation or mounting on unsuitable structures. Any reproduction or use without permission or registration of any part of this specification sheet is strictly prohibited unless prior written permission is granted by B-Tech AV Mounts Corporation Ltd. B2E.

SS-V5-BT7027-180424-NA